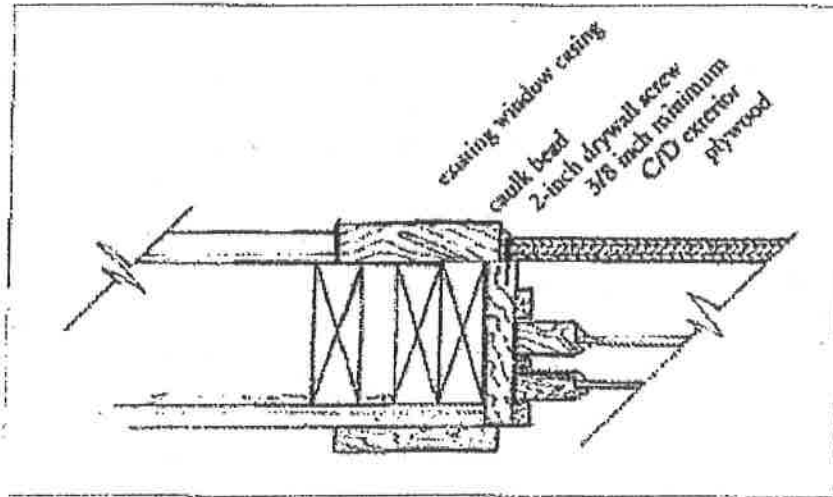


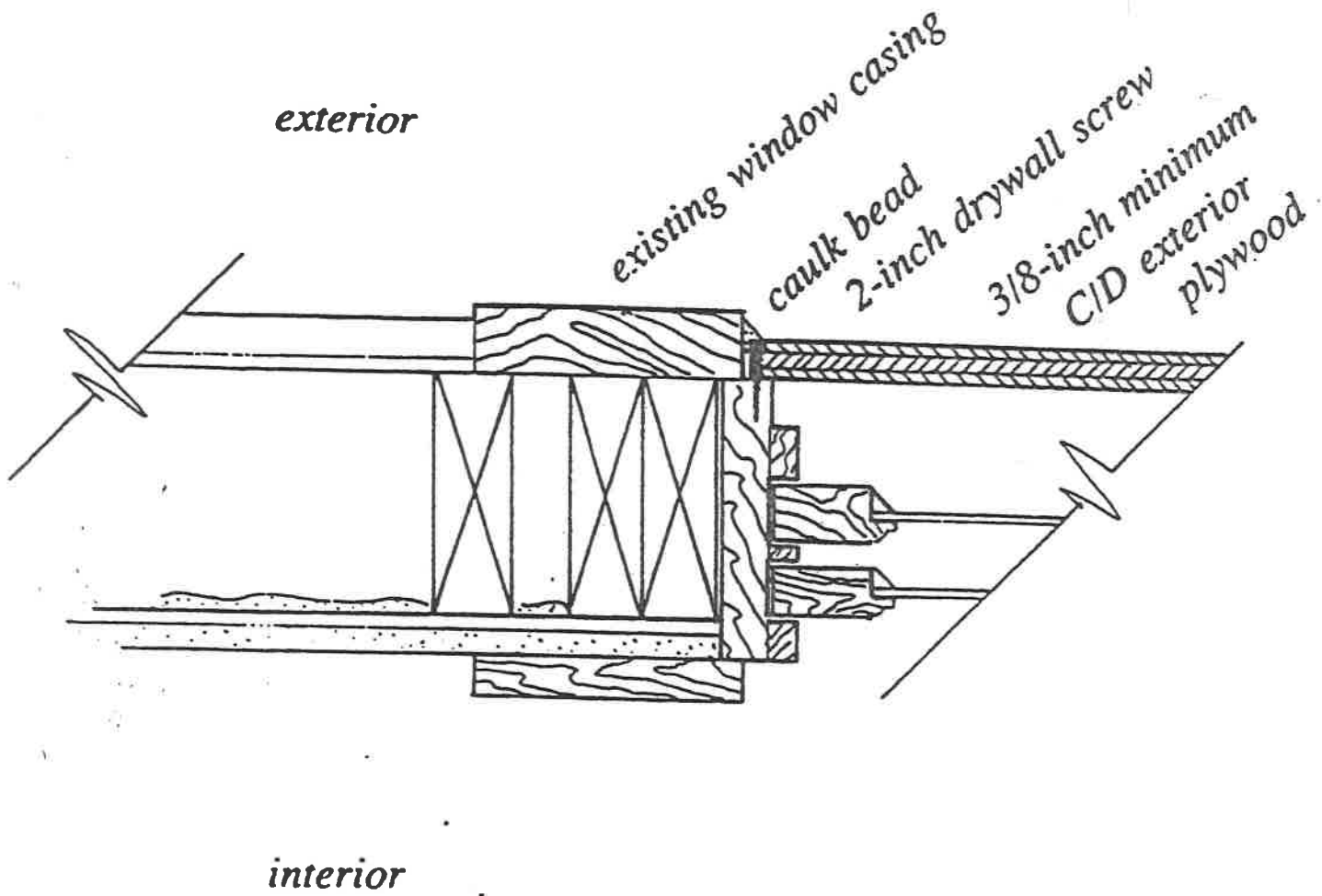
Demolition by Neglect

Guidelines for boarding openings



A minimum of 3/8" plywood should be cut to fit tightly inside the frame of the window or door on the exterior of the building. In the first method of attachment 2" drywall screws spaced no more than 12" on center are used to attach the plywood to the frame of the opening. In the second method of attachment, 3/8" carriage head bolts with 2" washers are used to attach the plywood to 2 x 4 wood bars mounted on the interior of the building. When the bolts are tightened the wall is "sandwiched" between the plywood and the 2 x 4 bars which holds the entire assembly in place. In both examples the plywood MUST be placed on the OUTSIDE of the window opening. The Commission recommends that the plywood be primed and painted before installation to improve the general appearance of the building and to make it durable against the weather.



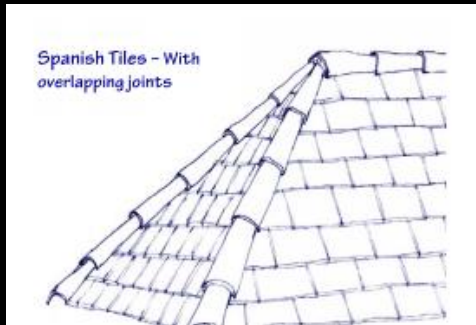


BOARDING DETAIL

D BY N



By the Way, Did You Know?



Existing ridge tiles should be salvaged and reinstalled!



The HDLC does NOT approve wind turbines. The HDLC does approve Chinese Cap and Low Profile Power Vents!

Atlas

Atlas Stormmaster Shake

Black Shadow, Heathstone Grey, Pewter, Weathered Wood

Atlas Pinnacle Pristine

Pristine Black, Pristine Hearthstone, Pristine Pewter, Pristine Weathered wood

Certainteed

Certainteed – Landmark

Colonial Slate, Georgetown Grey, Max Def Georgian Grey, Max Def Maine Black, Moire Block, Weathered Wood

Certainteed Landmark IR

Colonial Slate, Cumberland, Moire Black, Weathered Wood

Certainteed Landmark Premium

Max Def Moire Black

Certainteed Landmark Pro

Max Def Colonial Slate, Max Def Georgetown, Max Def Moire

Certainteed Landmark TL

Max Def Colonial Slate, Max Def Moire Black, Max Def Old Overton

Certainteed Grand Manor

Black Pearl, Colonial Slate, Gatehouse Slate, Stonegate Grey

Certainteed Climateflex

Colonial Slate, Weathered Wood, Moire Black

BP

Everest 42

Silver Grey, Fossil Wood, Twilight Grey, Brownstone, Driftwood

Vanguard – Class IV

Twilight Grey, Shadow Black, Silver Grey



GAF – Timberline UHD

Slate, Pewter Gray, Charcoal, Weathered Wood

GAF- Timberline HDZ

Pewter Grey, Charcoal, Oyster Gray, Weathered wood

GAF – Timberline – NS

Charcoal, Weathered Wood, Slate, Pewter Grey

GAF – Timberline – AS II

Charcoal, Slate, Weathered Wood, Pewter Grey

GAF – CS

Antique Slate, Weathered Wood

IKO

Cambridge Collection

Dual Black, Dual Grey, Weathered Wood, Harvard Slate, Charcoal Grey

Cambridge Natural Cool

Dual Gray

Cambridge Cool Plus

Harvard Slate, Graphite Black

Dynasty

Castle Grey, Glacier, Granite Black

Malarkey

Legacy/Legacy Scotchguard/Highlander NEX AR/Vista AR

Midnight Black, Black Oak, Weathered Wood, Storm Grey

Owens Corning

Owens Corning – Oakridge

Driftwood, Estate Grey, Flagstone, Onyx Black, Peppermill, Twilight Black

Owens Corning –Duration

Driftwood, Estate Grey, Onyx Black, Quarry Grey

Owens Corning – Duration Flex

Estate Grey, Onyx Black, Driftwood,

Owens Corning – Berkshire Collection

Canterbury Black, Colonial, Concord, Manchester Grey

Tamko

Tamko Heritage Woodgate

Antique Wood, Weathered Wood, Black Sage

Tamko Titan

Rustic Black, Virginia Slate, Weathered Wood

Tamko Stormfighter

Weathered Wood, Rustic Black

Tamko Heritage

Antique Slate, Oxford Grey, Weathered Wood, Rustic Black, Shadow grey, Virginia Slate