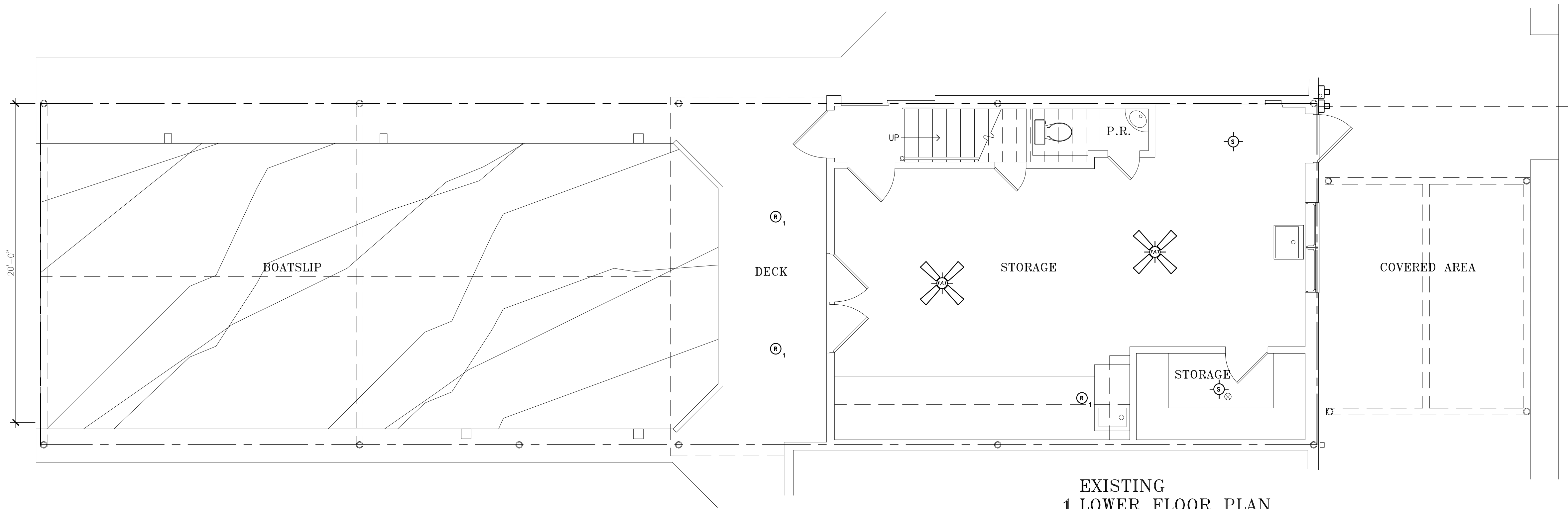


EXISTING  
1 UPPER FLOOR PLAN  
1/4"=1'-0"



EXISTING  
1 LOWER FLOOR PLAN  
1/4"=1'-0"

——— EXISTING WALL  
 = = = NEW STUD WALL  
 - - - WALL TO BE REMOVED

REVISED:

DRAWING: 1557\_PLAN  
 DRAWN: SRQ  
 PROJECT: 1557GER

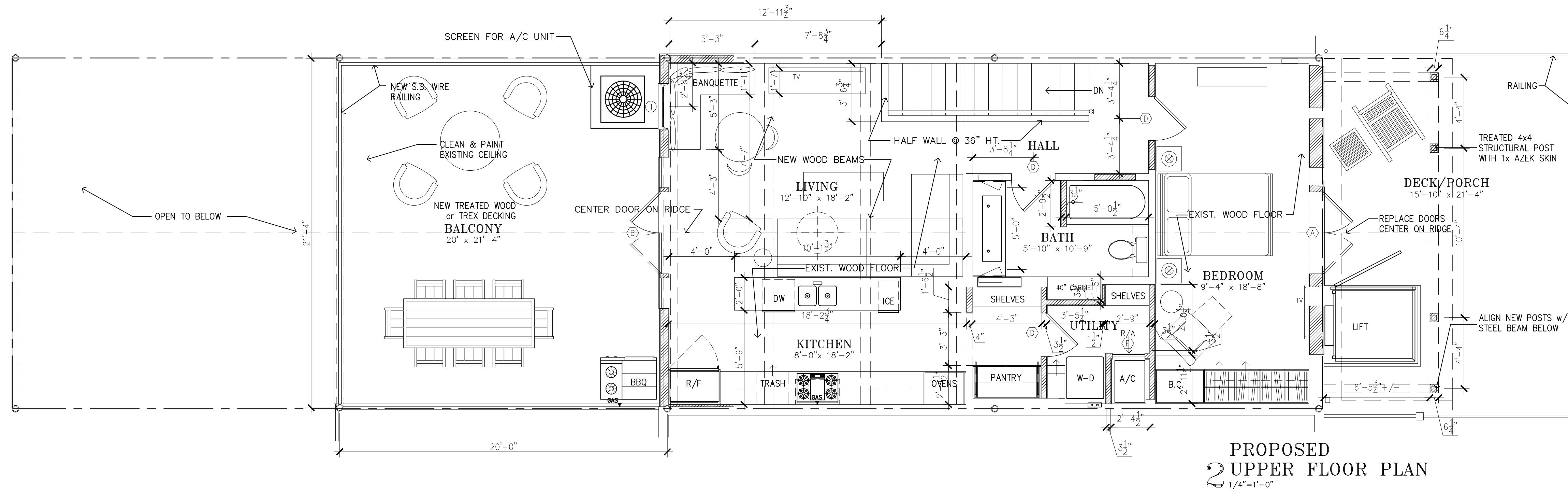
SCALE: 1/4"=1'-0"  
 DATE: 07-22-21  
 FOLIO:

GERTLER BOATHOUSE  
 219 NORTH ROADWAY, NEW ORLEANS, LA

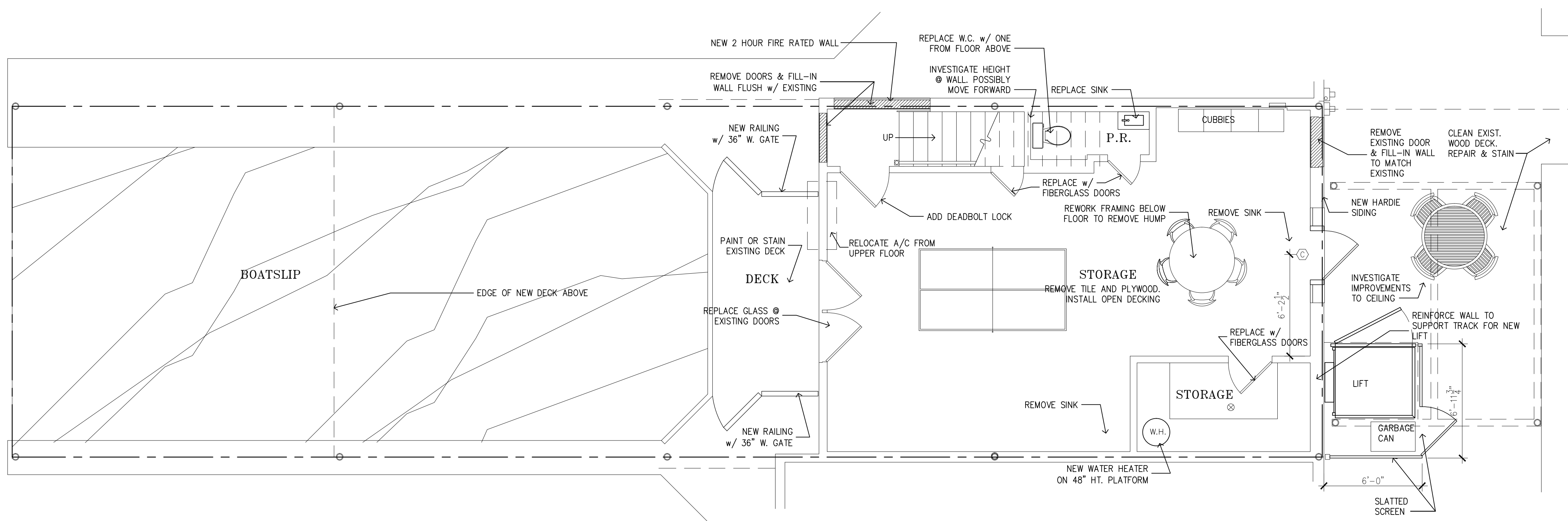
ARCHITECTS  
 THE HOPKINS COMPANY  
 NEW ORLEANS

A-01

A-01



**PROPOSED  
2 UPPER FLOOR PLAN**  
1/4"=1'-0"



**PROPOSED  
1 LOWER FLOOR PLAN**  
1/4"=1'-0"

 ROOM ELEVATION KEY		EXISTING WALL
		NEW STUD WALL
		WALL TO BE REMOVED

REVISED: 07-28-21, 08-03-21, 08-10-21, 08-19-21, 08-26-21, 09-16-21, 10-13-21, 11-10-21, 01-06-22, 02-01-22, 04-07-22, 04-18-22

ARCHITECTS  
**THE HOPKINS COMPANY**  
NEW ORLEANS

---

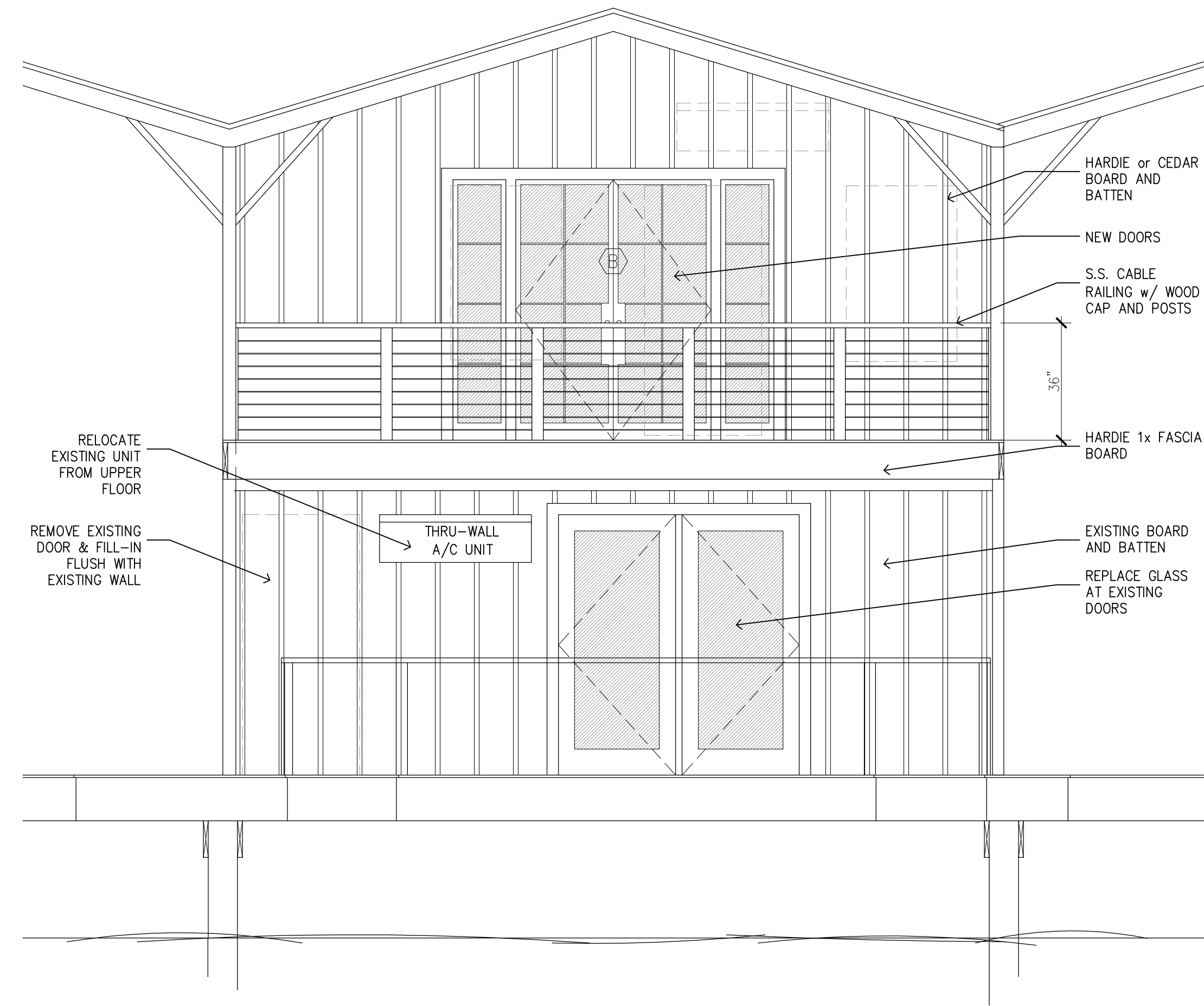
**GERTLER BOATHOUSE**  
219 NORTH ROADWAY, NEW ORLEANS, LA

---

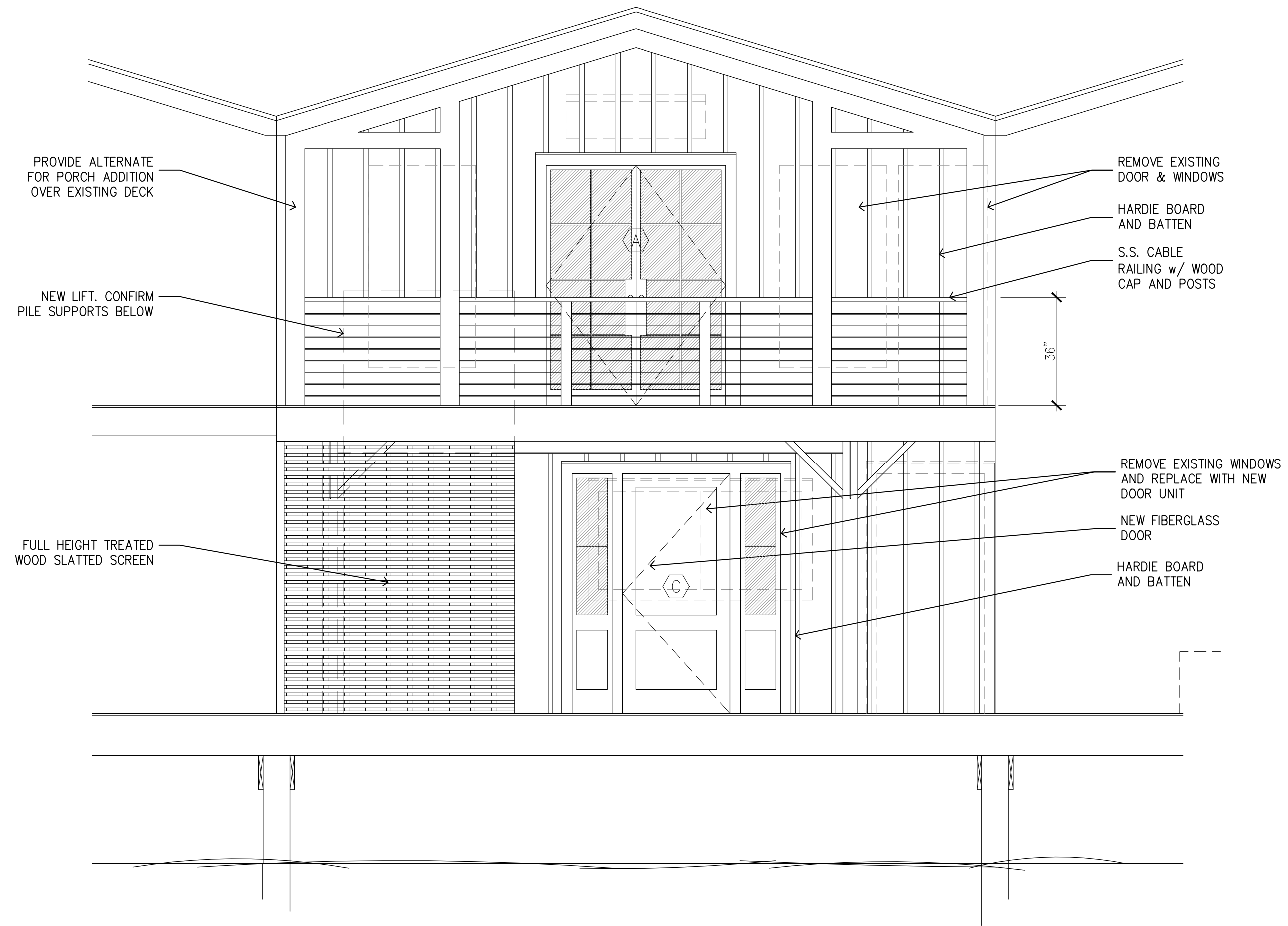
DRAWING: 1557\_EX      SCALE: 1/4"=1'-0"  
 DRAWN: SRQ            DATE: 07-26-21  
 PROJECT: 1557GER      FOLIO:

A-02

A-02



1 REAR ELEVATION  
3/8"=1'-0"



2 FRONT ELEVATION  
3/8"=1'-0"

REVISED: 08-19-21, 09-16-21, 10-07-21, 10-13-21, 10-13-21, 04-07-22, 04-18-22

DRAWING: 1557\_EXT  
DRAWN: SRQ  
PROJECT: 1557GER

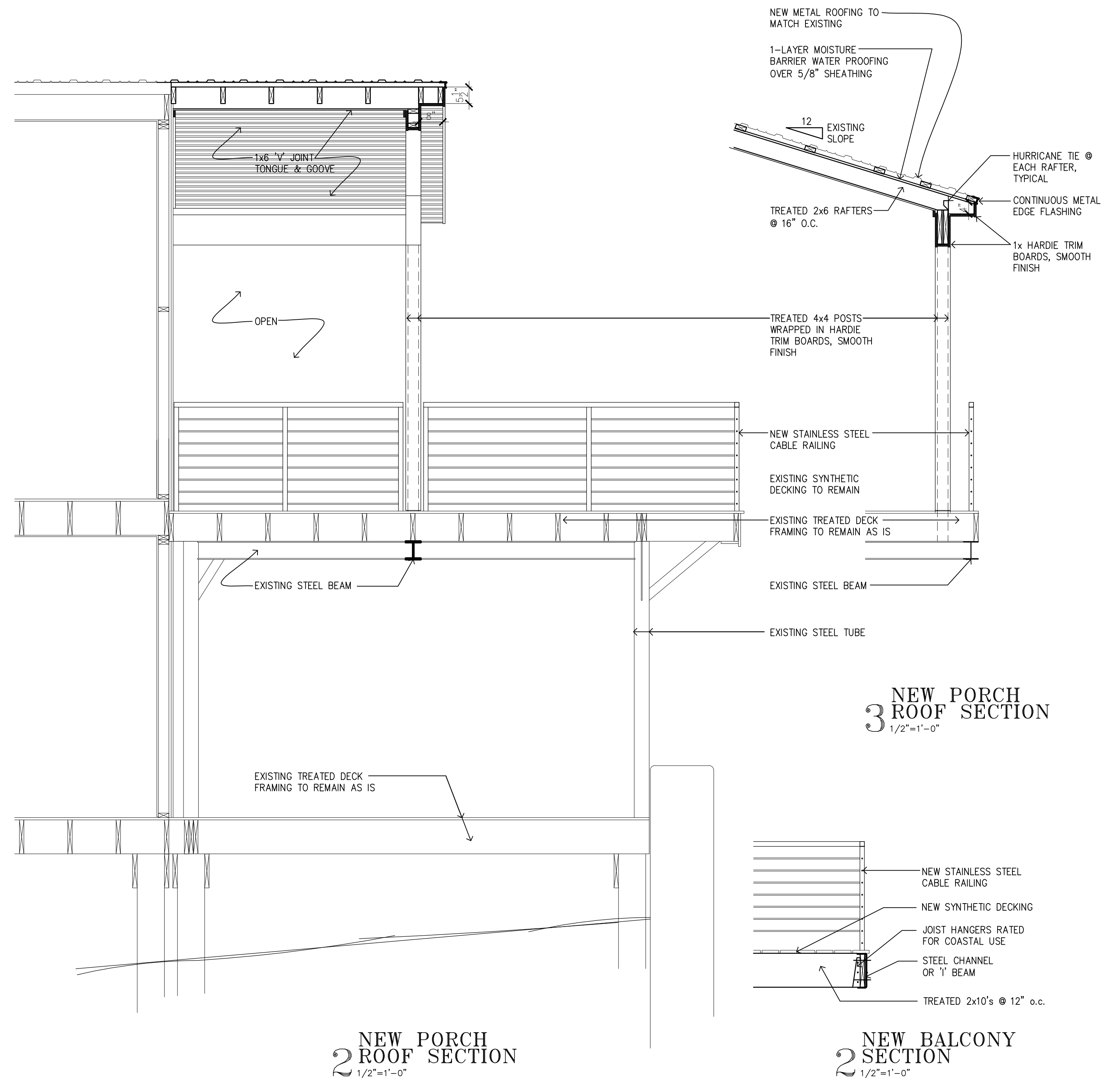
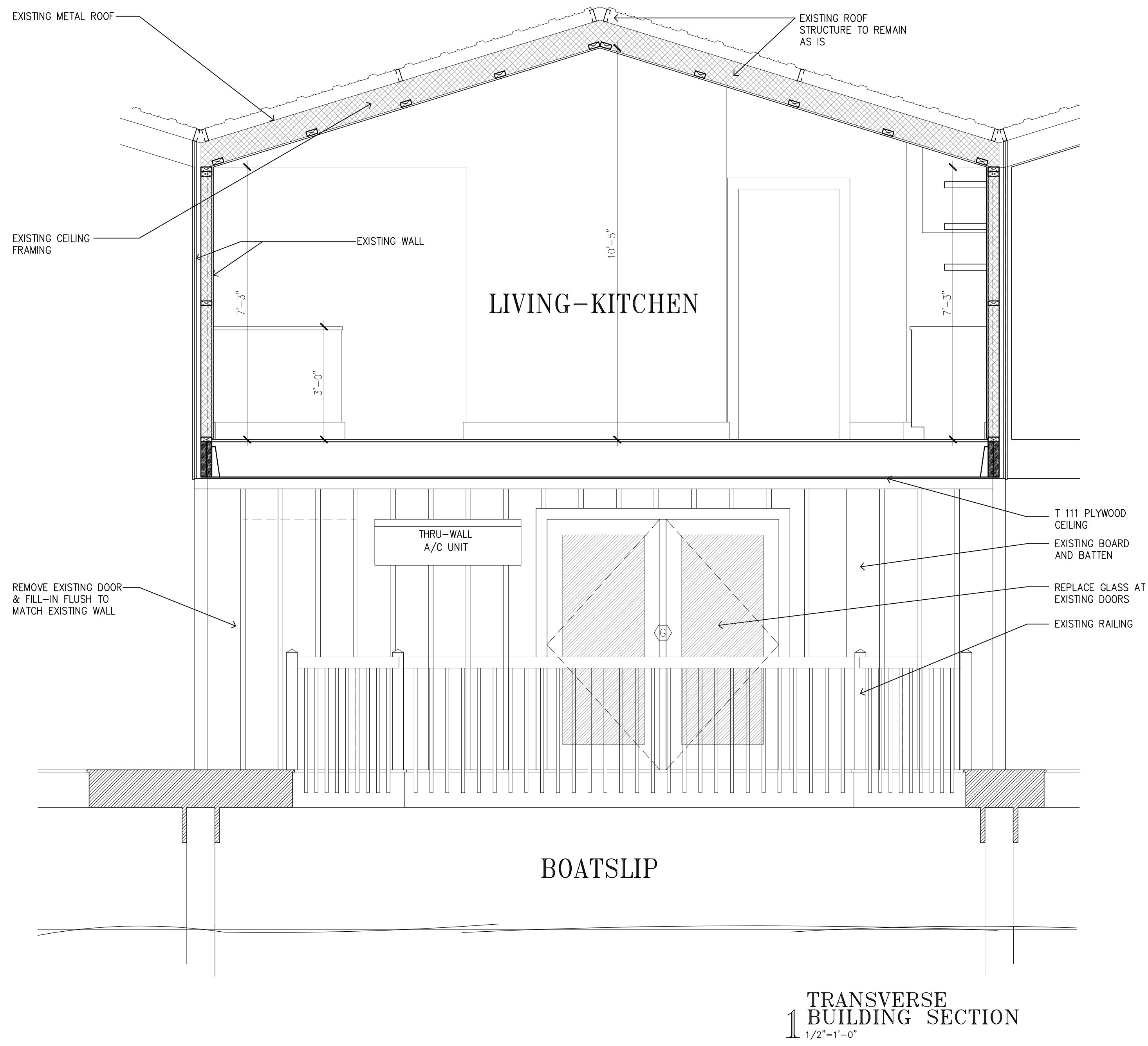
SCALE: 3/8"=1'-0"  
DATE: 08-17-21  
FOLIO:

GERTLER BOATHOUSE  
219 NORTH ROADWAY, NEW ORLEANS, LA

ARCHITECTS  
THE HOPKINS COMPANY  
NEW ORLEANS

A-03

A-03



REVISED: 01-06-22, 04-07-22

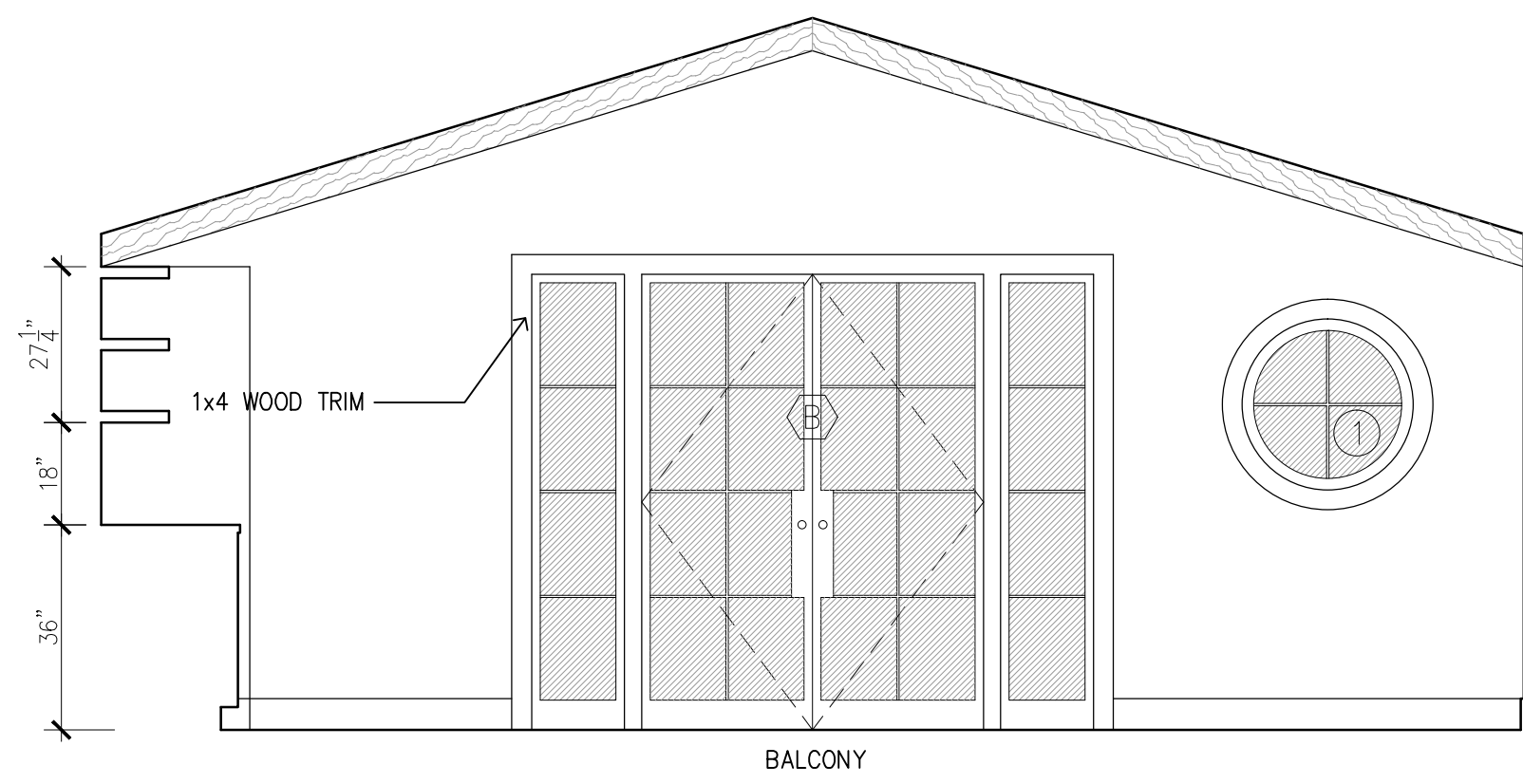
DRAWING: 1557-SECT  
 DRAWN: EMG, SRQ  
 PROJECT: 1557GER

SCALE: 1/2"=1'-0"  
 DATE: 10-11-21  
 FOLIO:

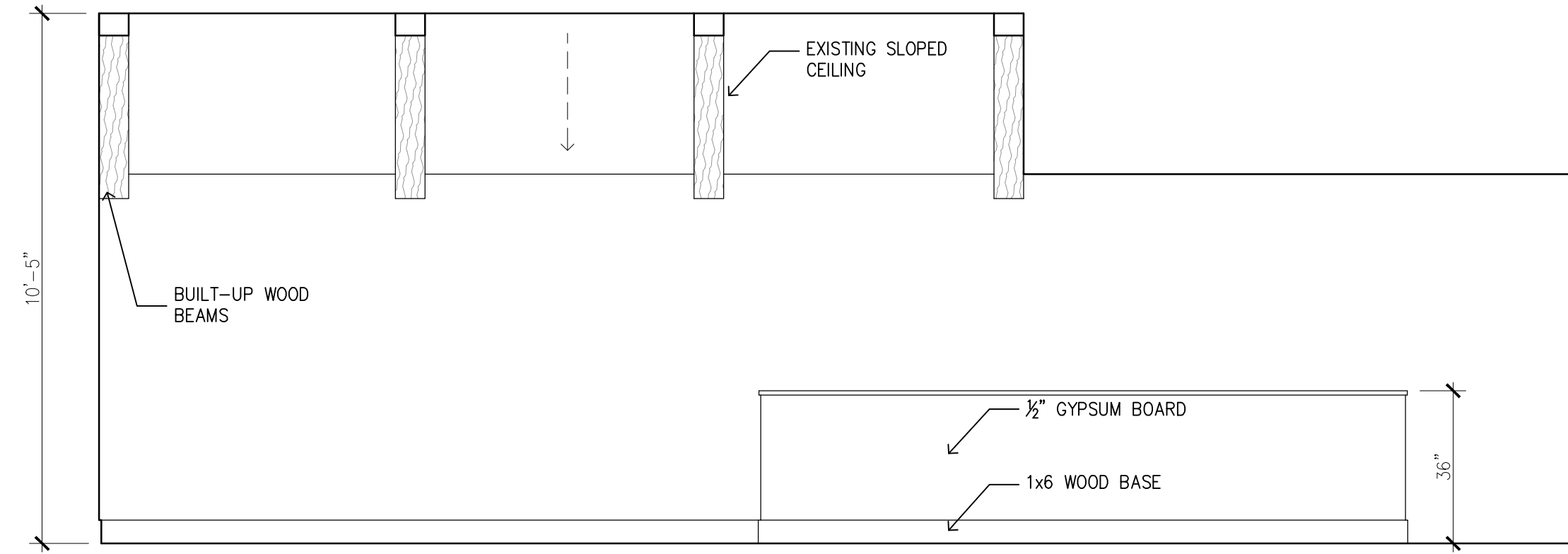
ARCHITECTS  
 THE HOPKINS COMPANY  
 NEW ORLEANS

GERTLER BOATHOUSE  
 219 NORTH ROADWAY, NEW ORLEANS, LA

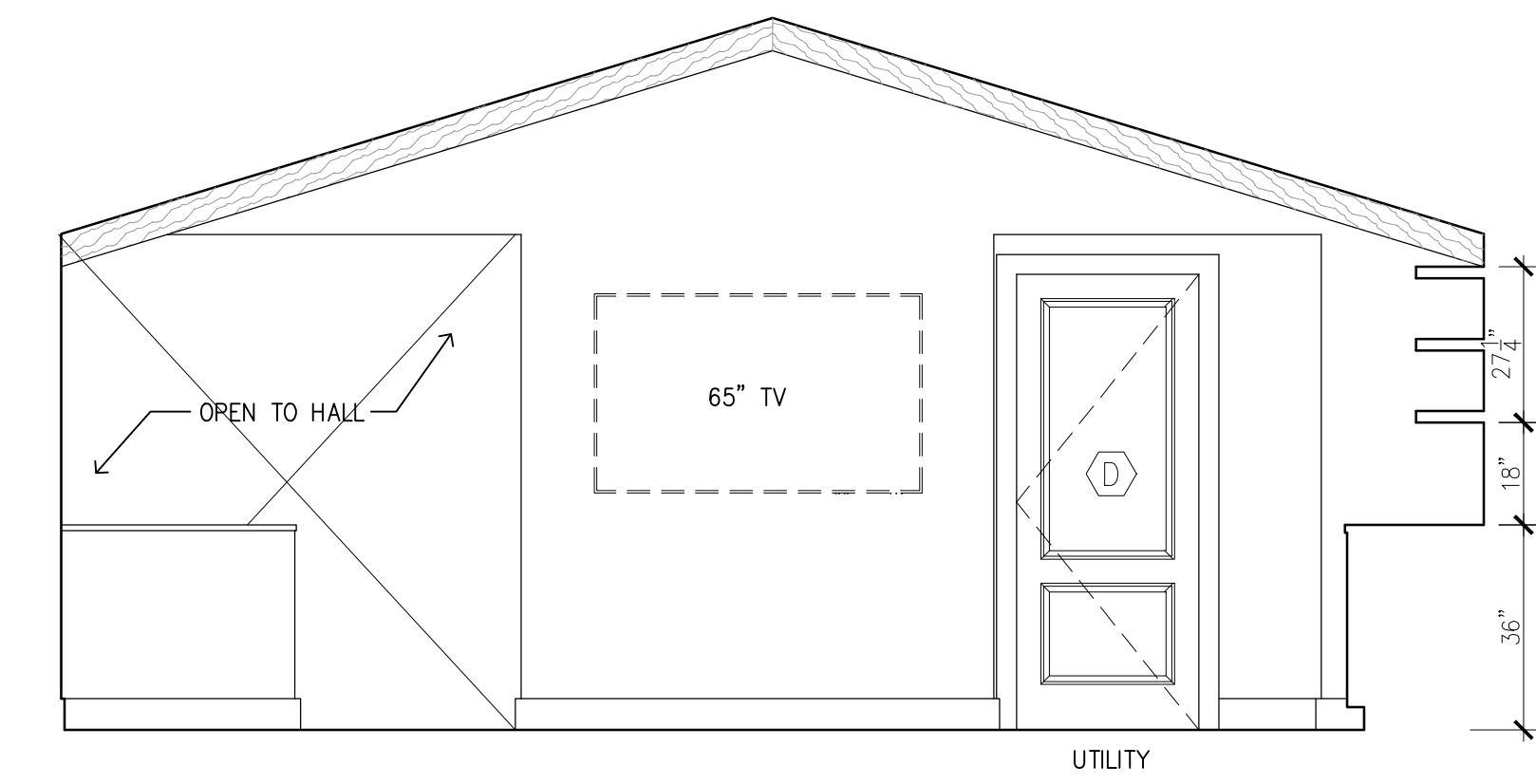
A-04



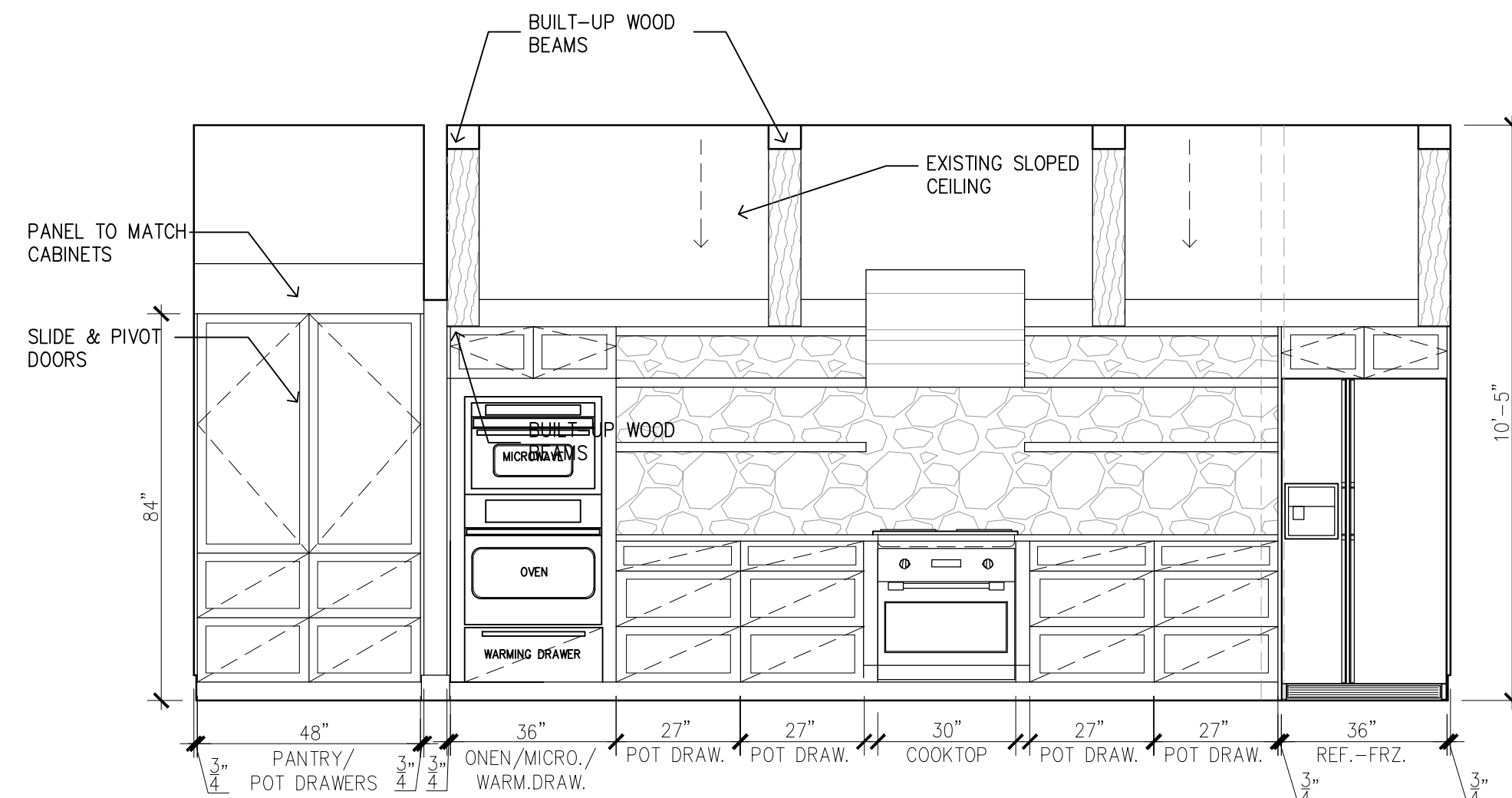
LIVING-KITCHEN A



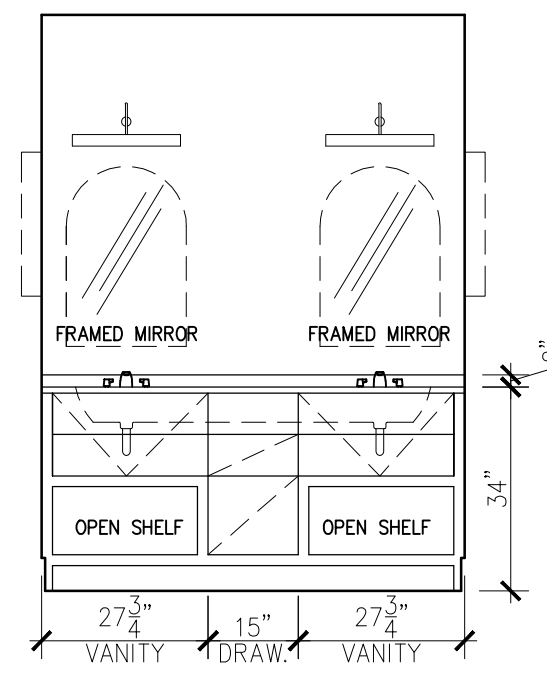
LIVING-KITCHEN-HALL B



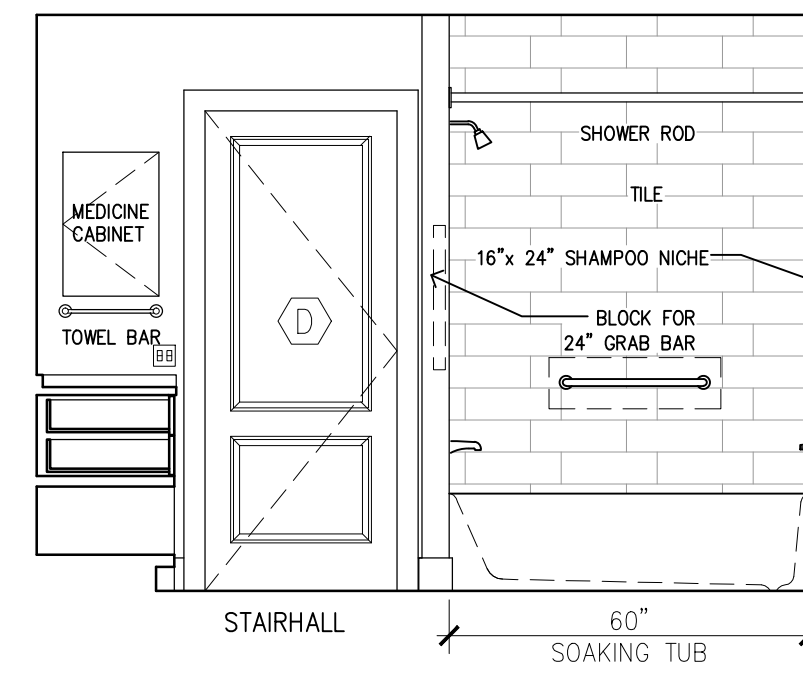
LIVING-KITCHEN C



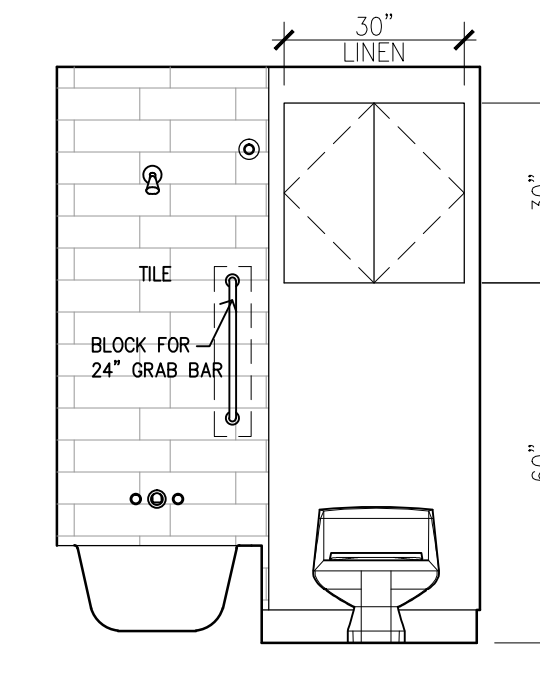
LIVING-KITCHEN D



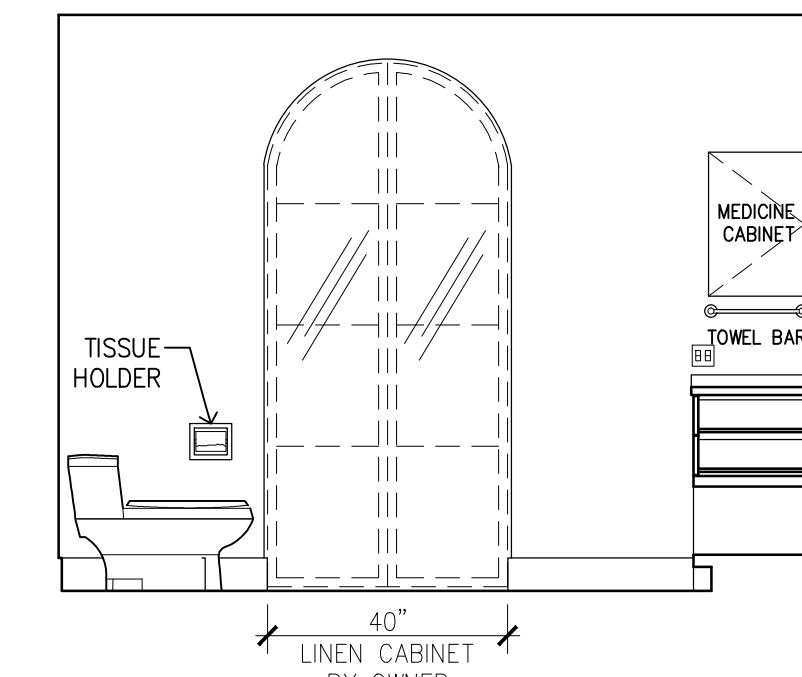
BATH A



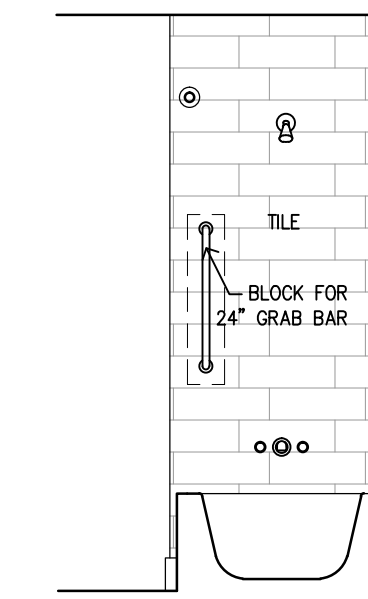
BATH B



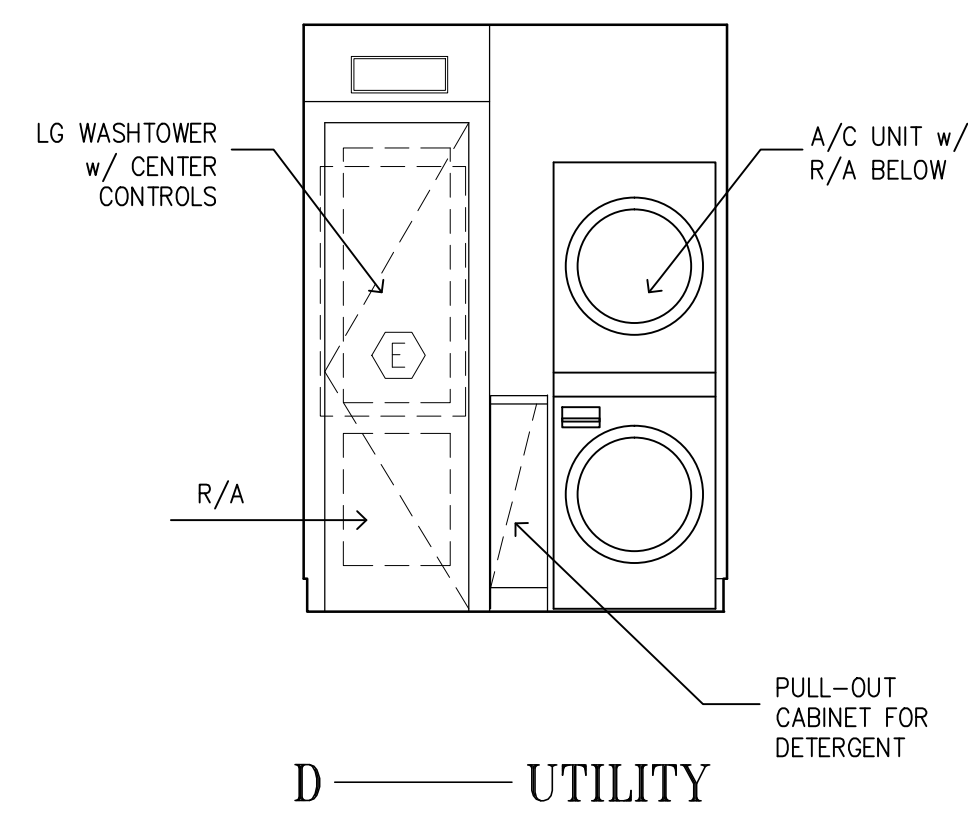
BATH C



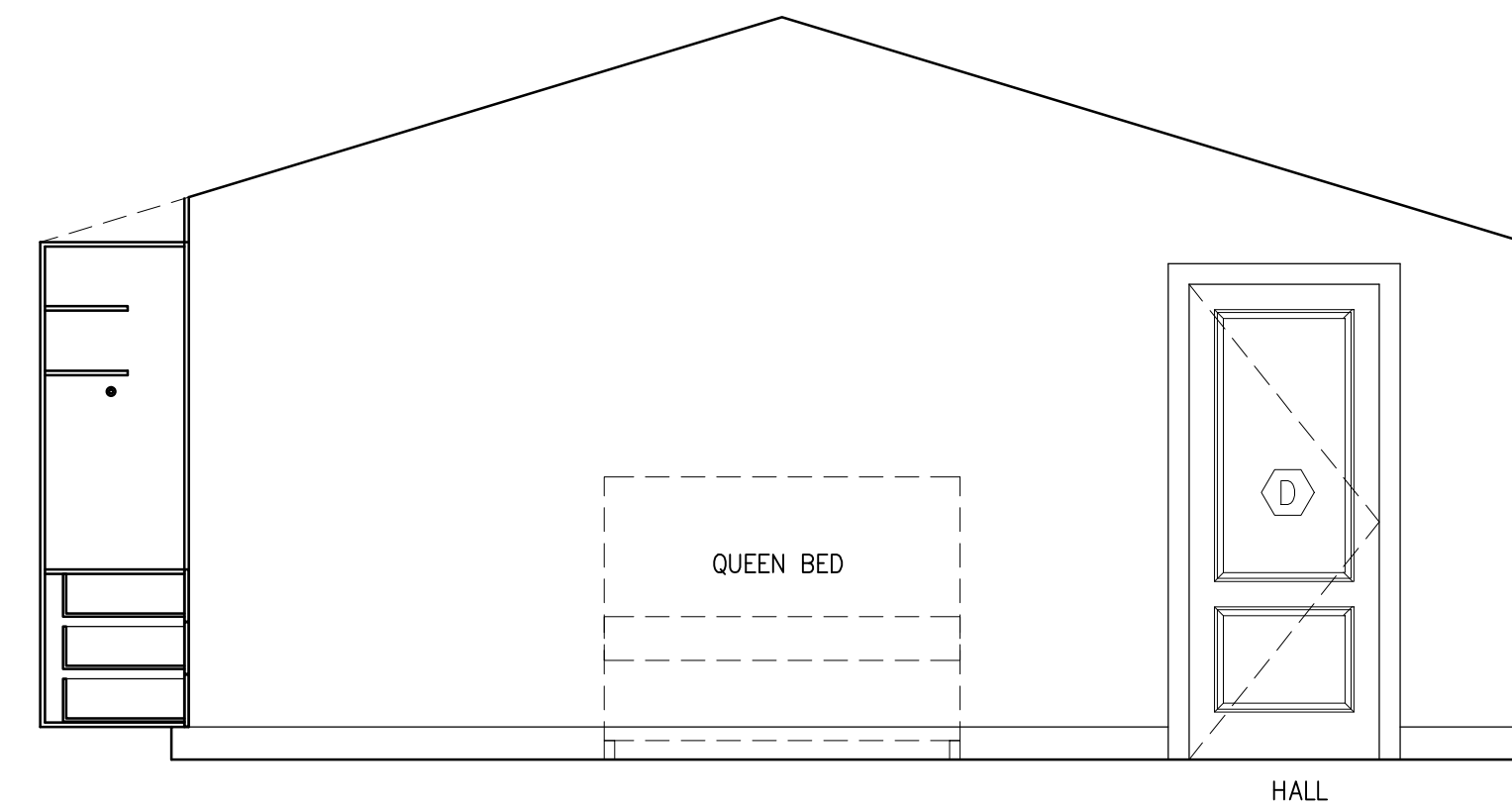
BATH D



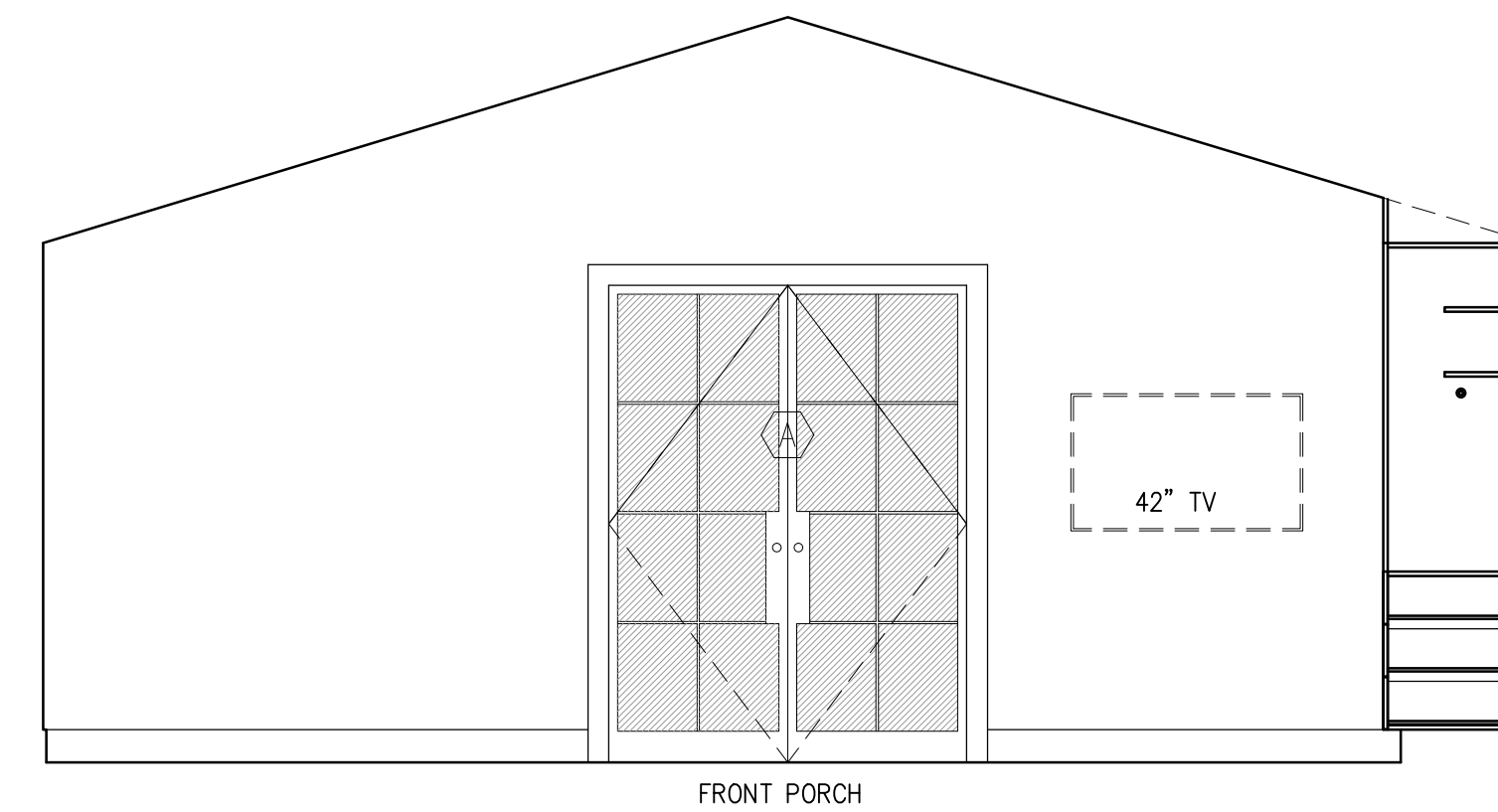
TUB A



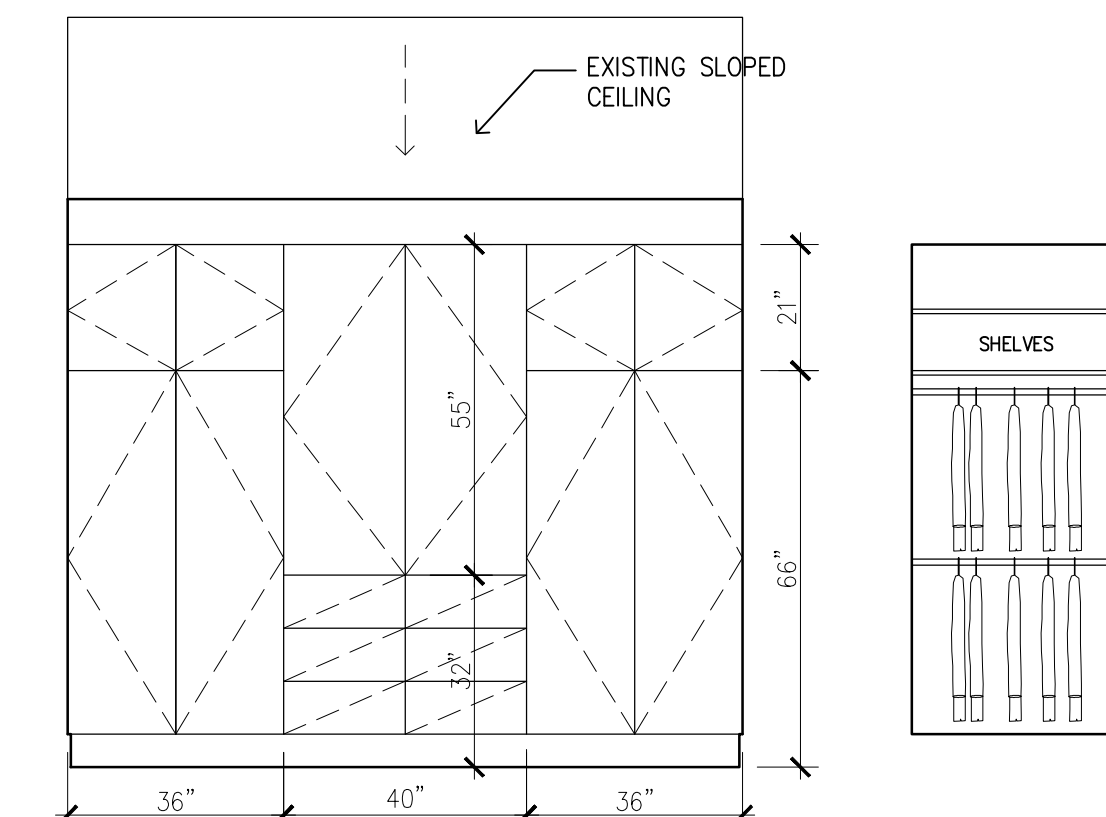
UTILITY D



BEDROOM A



BEDROOM C



UTILITY D CLOSET INTERIOR

1 INTERIOR ELEVATIONS  
3/8"=1'-0"

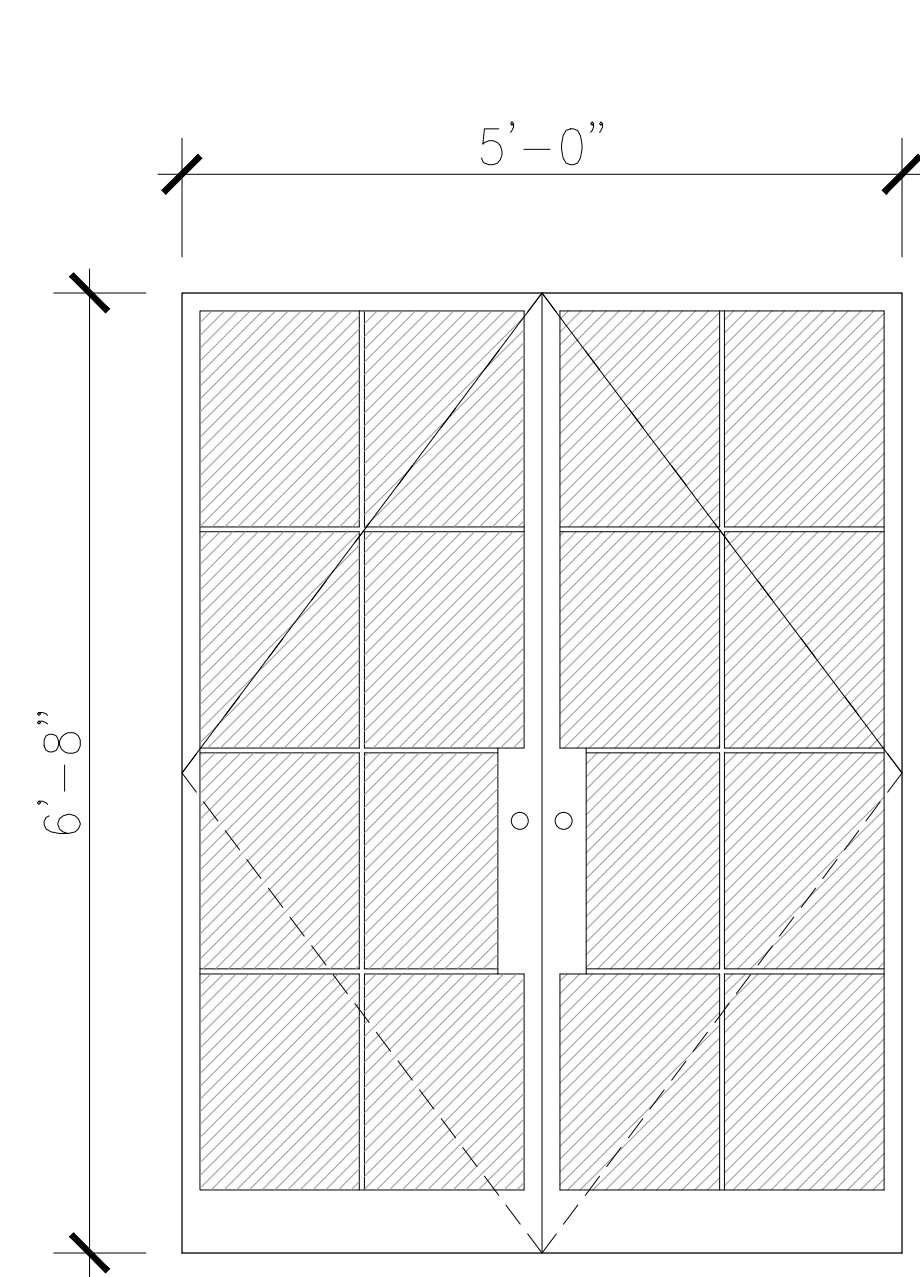
REVISED: 08-17-21, 09-16-21, 11-10-21, 01-12-22, 02-01-22, 04-07-22, 04-18-22

DRAWING: 1557\_INT SCALE: 3/8"=1'-0"  
DRAWN: SRQ DATE: 08-04-21  
PROJECT: 1557GER FOLIO:

ARCHITECTS  
THE HOPKINS COMPANY  
NEW ORLEANS

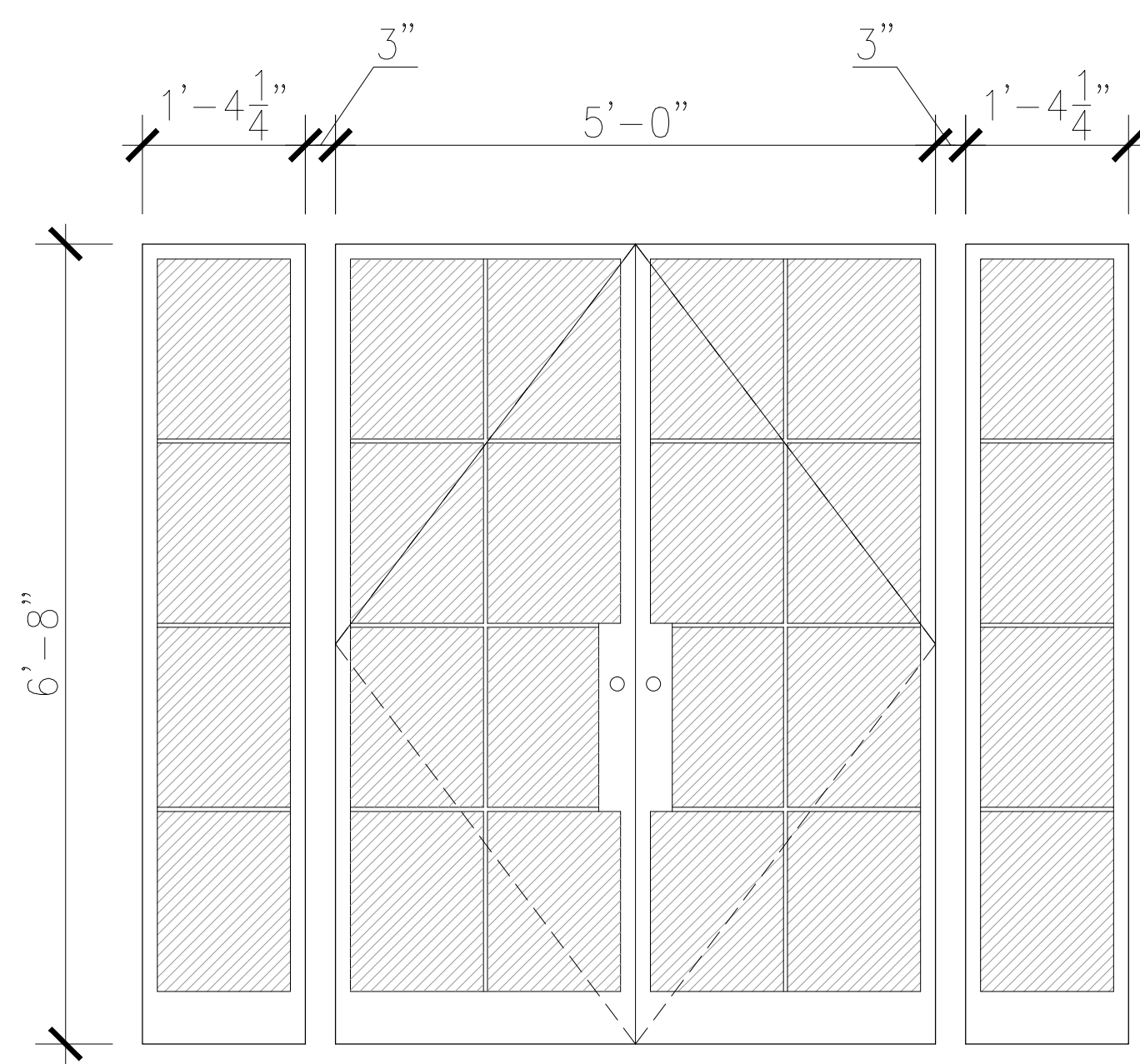
GERTLER BOATHOUSE  
219 NORTH ROADWAY, NEW ORLEANS, LA

A-05



A

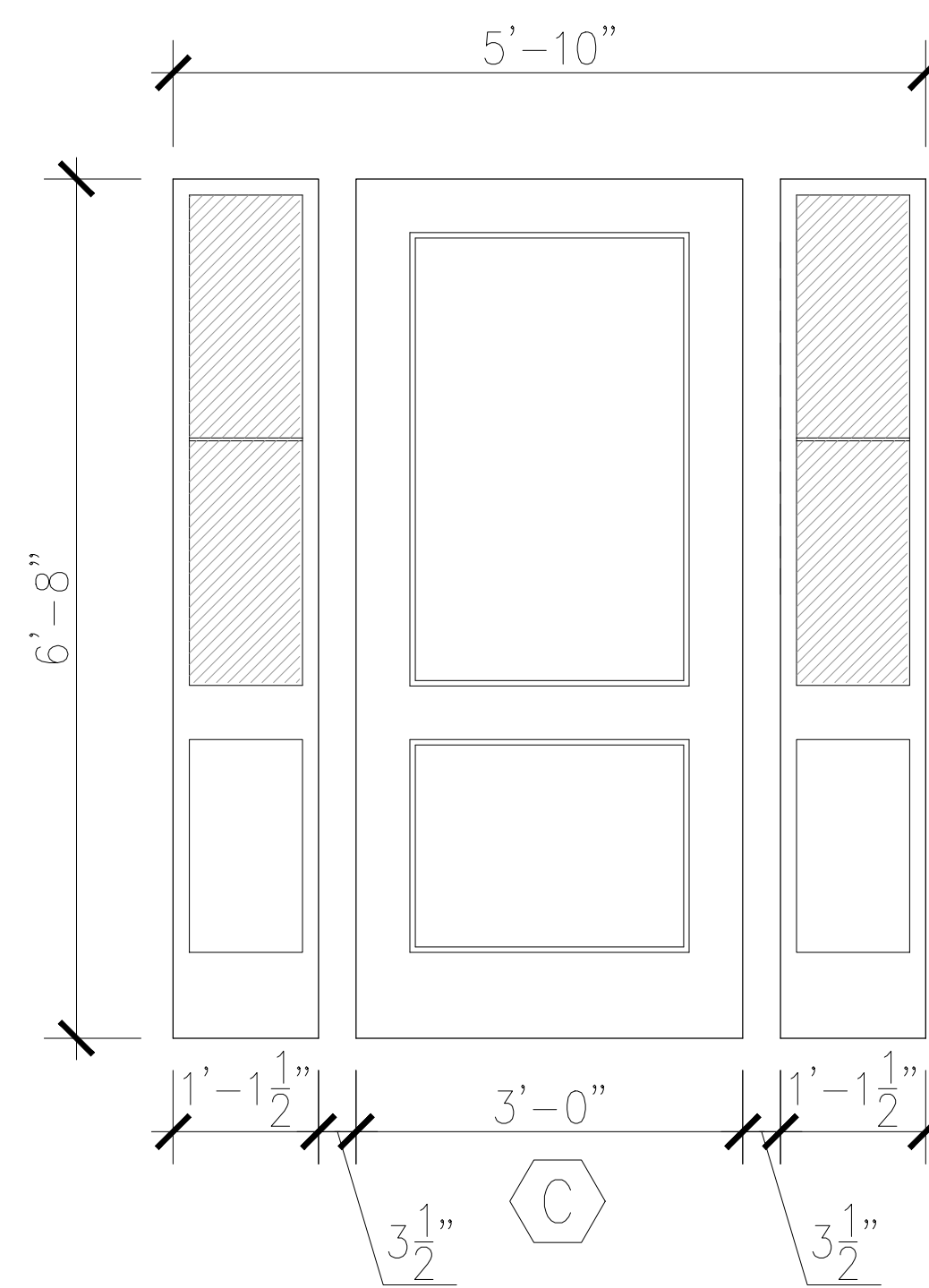
5'-0" x 6'-8" EXTERIOR STEEL FRENCH DOORS, HURRICANE RATED INSULATED GLASS, 8 LITES EACH UNIT.



B

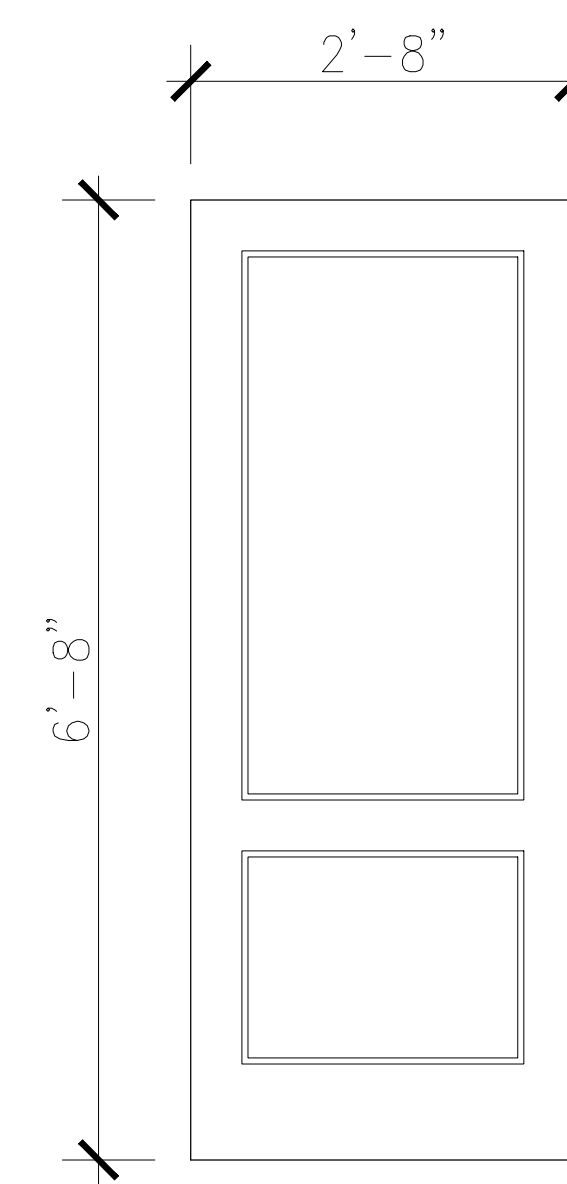
5'-0" x 6'-8" EXTERIOR STEEL FRENCH DOORS, HURRICANE RATED INSULATED GLASS, 8 LITES EACH UNIT.

TWO 1'-4.25" x 6'-8" EXTERIOR STEEL FIXED SIDE LITES, HURRICANE RATED INSULATED GLASS, 4 LITES EACH UNIT.



C

5'-10" x 6'-8" UNIT EXTERIOR FIBERGLASS 3'-0" x 6'-8" SINGLE OUT-SWING DOOR, TWO PANELS. 2- 1'-1 1/2" x 6'-8" SIDE-LITES. TWO LITES OVER SINGLE PANEL, EACH.

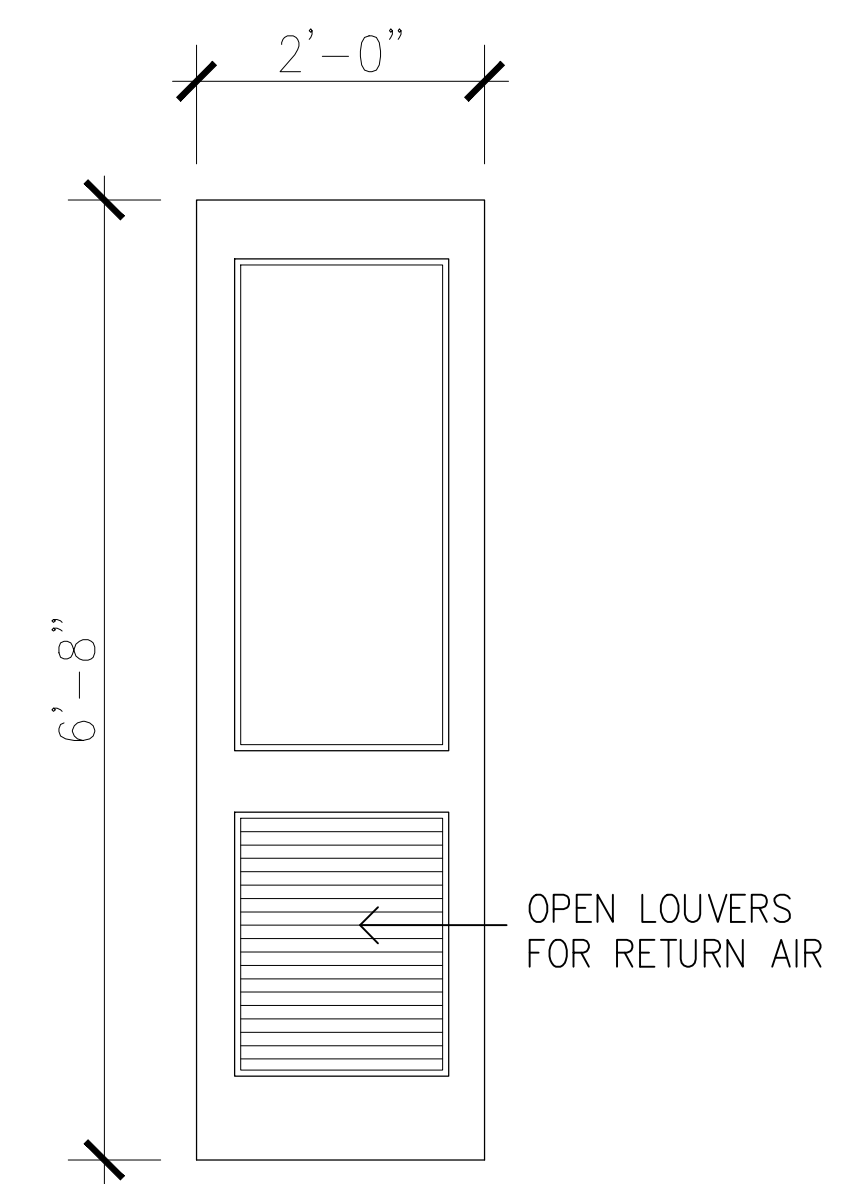


D

2'-8" x 6'-8" INTERIOR WOOD SINGLE SWING DOOR, TWO FLAT SHAKER PANELS.

D

2'-9" x 6'-8" INTERIOR WOOD BARN DOOR, TWO FLAT SHAKER PANELS.

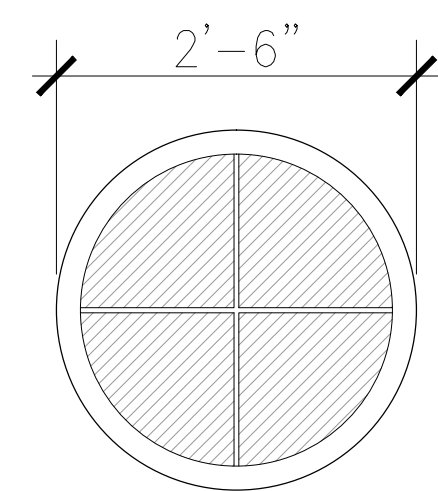


E

2'-0" x 6'-8" INTERIOR WOOD SINGLE SWING DOOR, TWO FLAT SHAKER PANELS, BOTTOM PANEL LOUVERED.

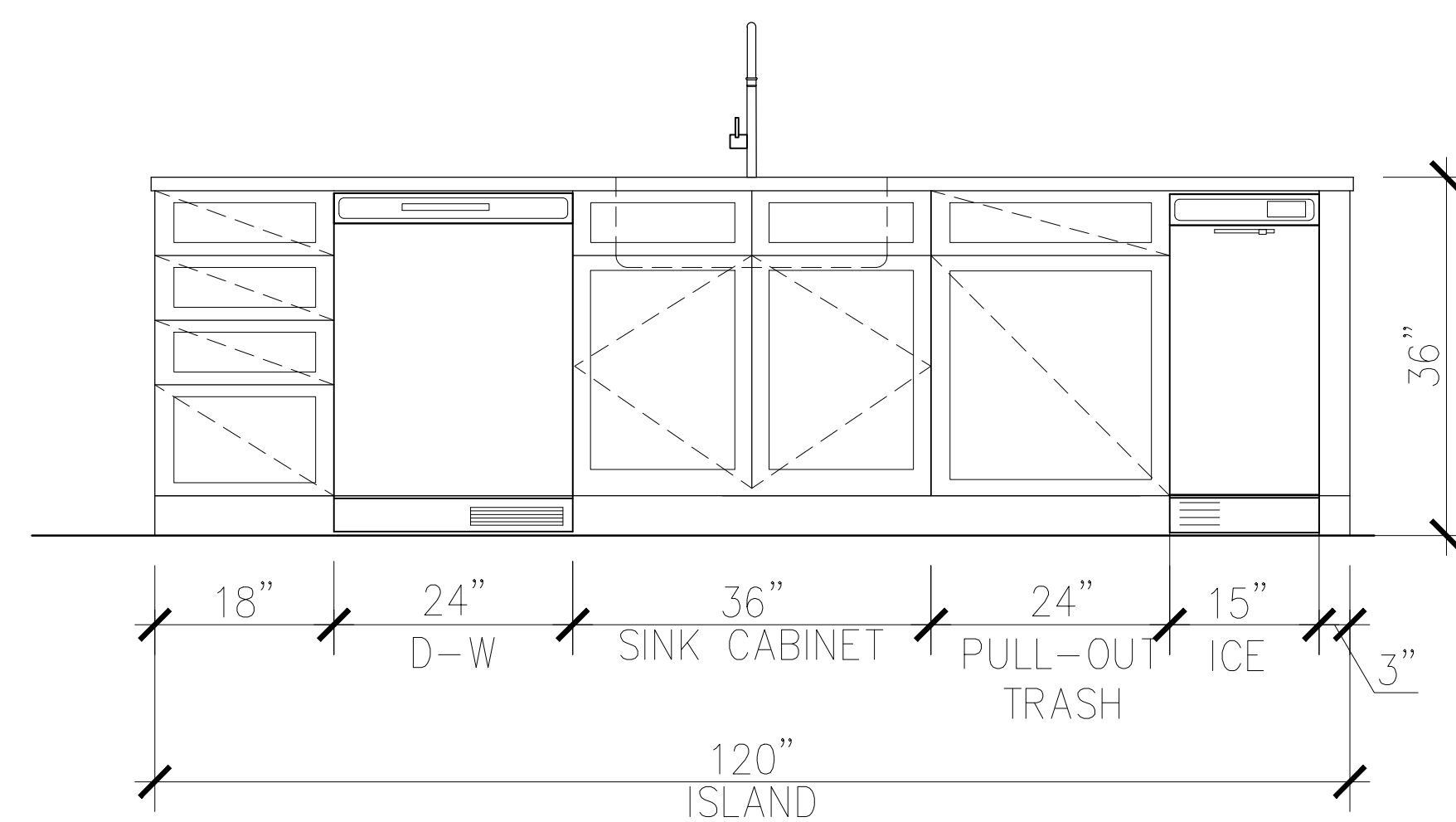
OPEN LOUVERS FOR RETURN AIR

1 DOOR SCHEDULE  
3/4"=1'-0"

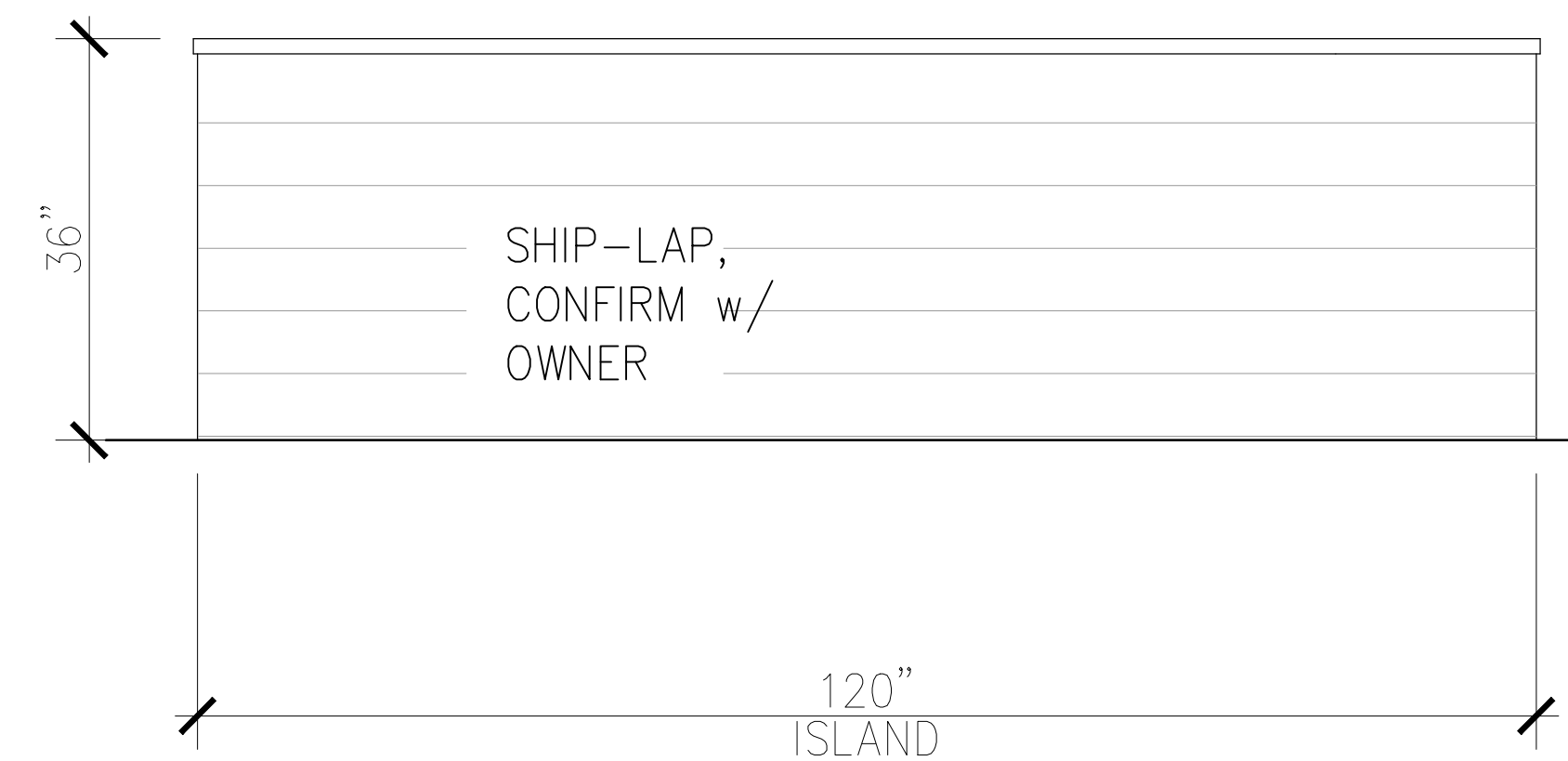


1

30" DIAMETER ROUND WINDOW, INSULATED GLASS, 4 LITES



KITCHEN ISLAND B



KITCHEN ISLAND D

REVISED: 10-13-21, 04-18-22

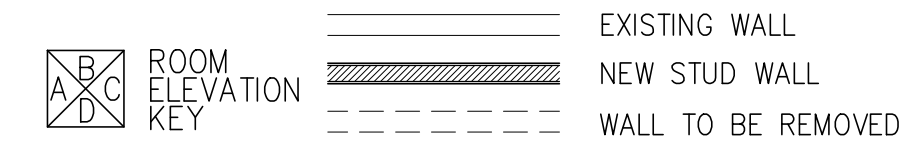
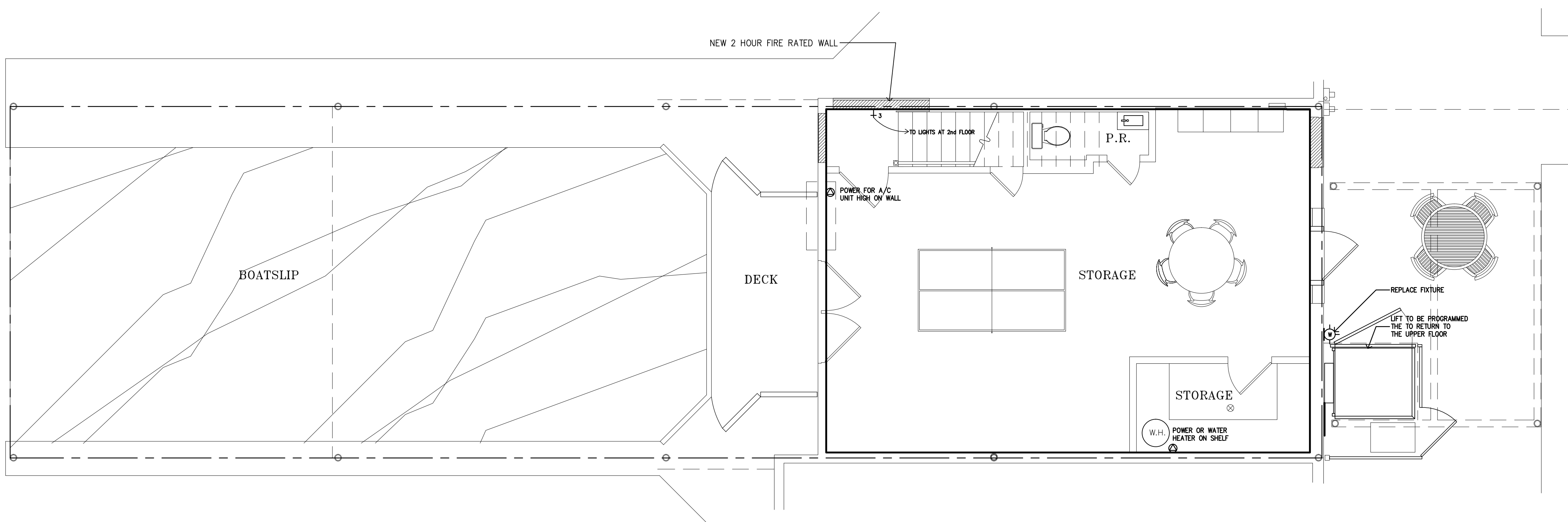
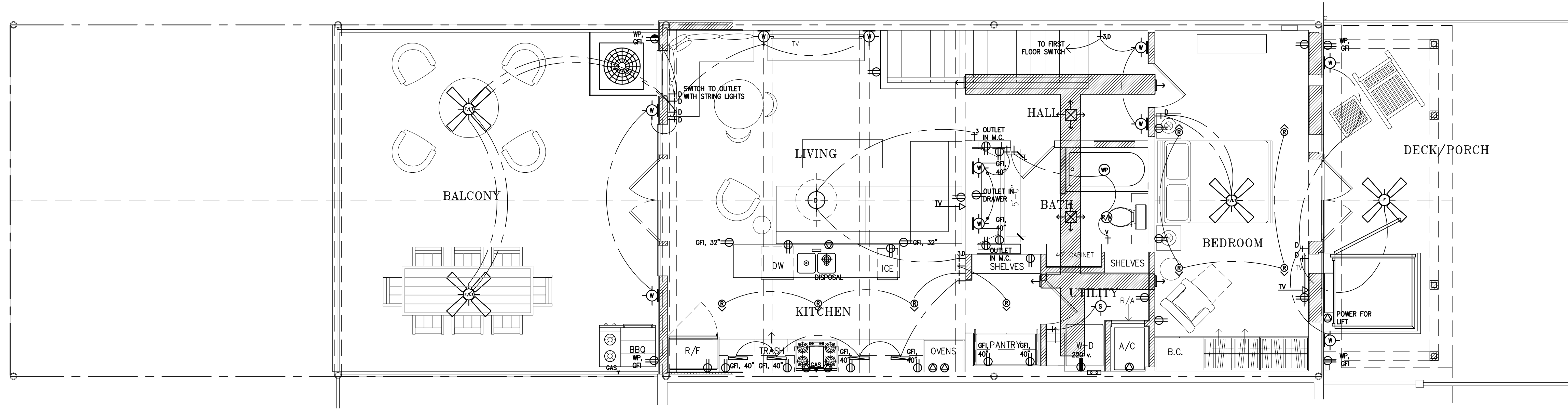
DRAWING: 1557\_GER SCALE: 3/4"=1'-0"  
DRAWN: SRQ DATE: 09-15-21  
PROJECT: 1557GER FOLIO:

A-06

ARCHITECTS  
THE HOPKINS COMPANY  
NEW ORLEANS

GERTLER BOATHOUSE  
219 NORTH ROADWAY, NEW ORLEANS, LA

A-06



REVISED: 09-16-21, 10-13-21, 11-10-21, 11-16-21, 11-18-21, 04-07-22, 04-18-22

DRAWING: 1557\_EX  
DRAWN: SRQ  
PROJECT: 1557GER

SCALE: 1/4"=1'-0"  
DATE: 08-19-21  
FOLIO:

ARCHITECTS  
THE HOPKINS COMPANY  
NEW ORLEANS

GERTLER BOATHOUSE  
219 NORTH ROADWAY, NEW ORLEANS, LA

E-01