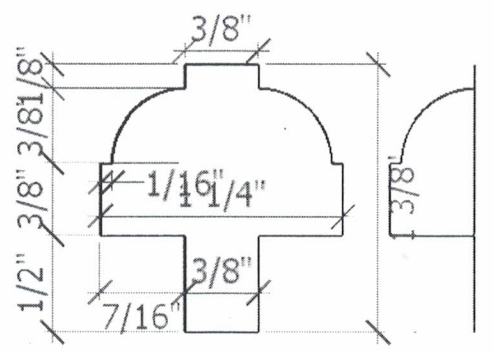
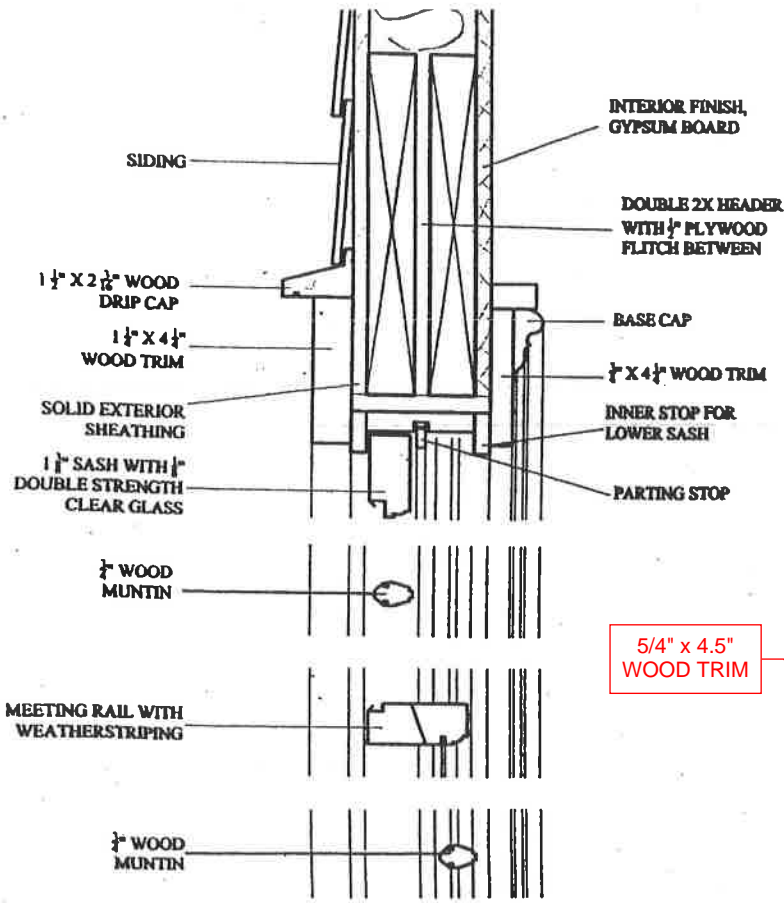


All repair/replace shall match existing in material, exposure, dimension, size, operation, configuration, and type, unless otherwise specified.

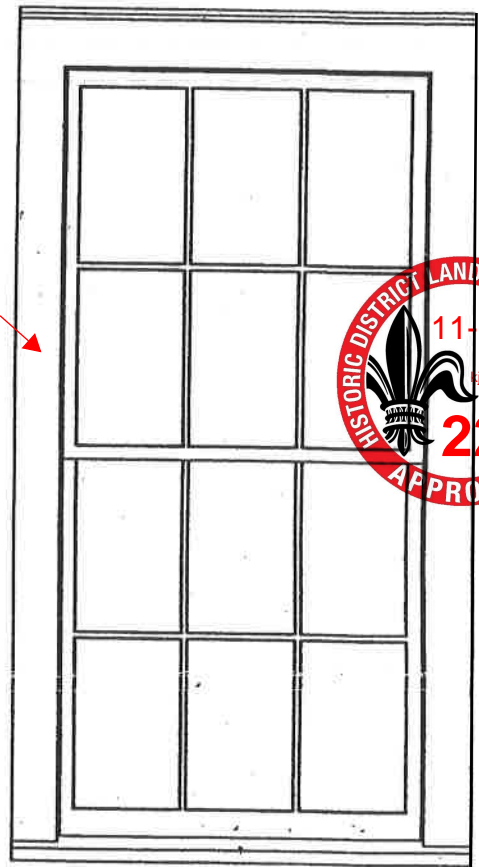


WINDOW DETAIL

WINDOWS MUST BE RECESS MOUNTED INTO THE OPENING

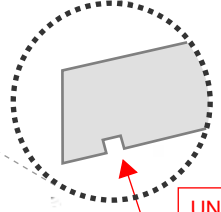
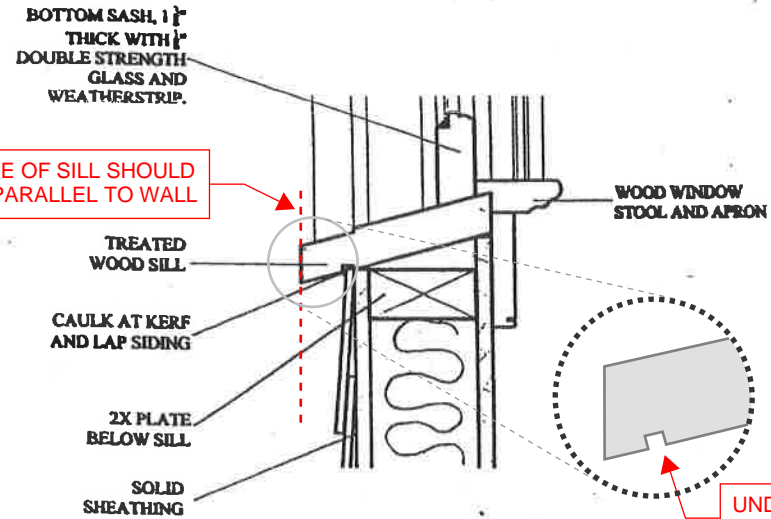


5/4" x 4.5" WOOD TRIM



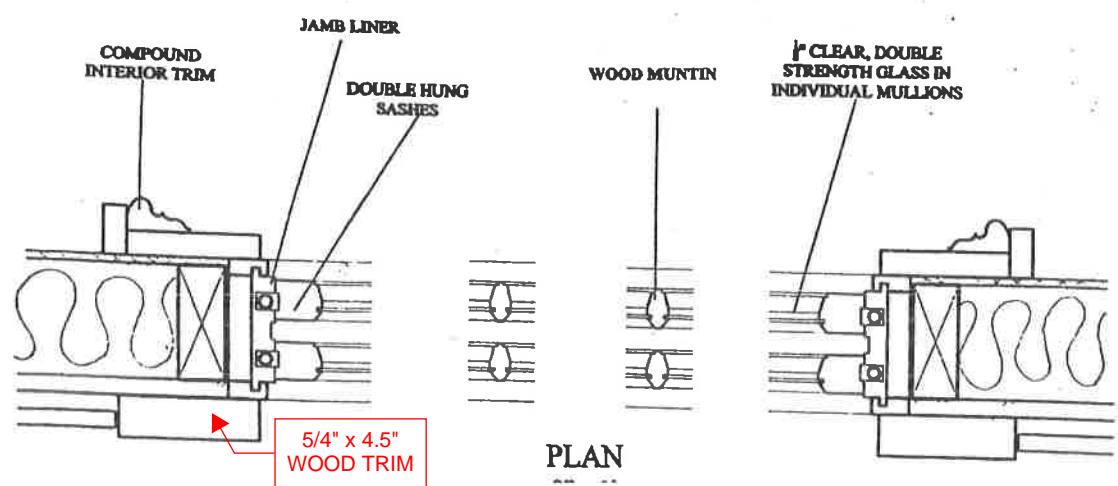
EXTERIOR ELEVATION
1 1/2" = 1'

FACE OF SILL SHOULD BE PARALLEL TO WALL



UNDERSIDE OF SILL SHOULD HAVE A ROUTED DRIP LINE

SECTION
3" = 1'



5/4" x 4.5" WOOD TRIM

PLAN