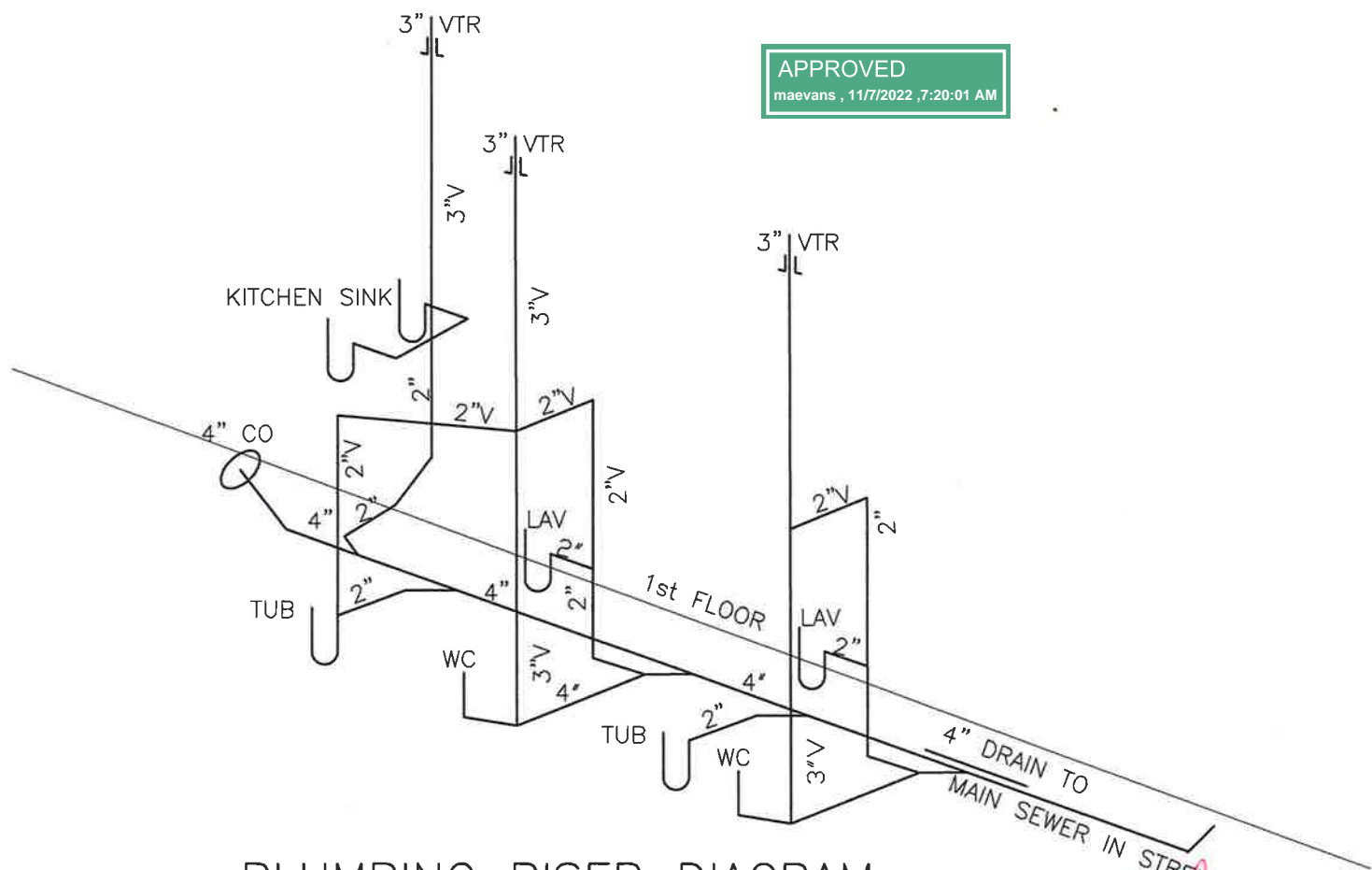


5137 Sandhurst Drive

APPROVED
maevans , 11/7/2022 ,7:20:01 AM



PLUMBING RISER DIAGRAM
5137 SANDHURST DR
NO SCALE

THIS DOCUMENT HAS BEEN PREPARED UNDER MY DIRECT SUPERVISION TO THE BEST OF MY KNOWLEDGE, REQUIREMENTS OF THE APPLICABLE BUILDING CODES HAVE BEEN MET. I WILL (WILL NOT) PERFORM PERIODIC OBSERVATIONS DURING THE COURSE OF CONSTRUCTION WHICH IS DESCRIBED BY THIS DRAWING

DOCUMENT OWNERSHIP: THESE DOCUMENTS AND THE IDEAS AND DESIGNS USED HEREIN ARE THE INSTRUMENTS OF PROFESSIONAL SERVICE AND ARE THE PROPERTY OF THOMAS M. SMITH. NO USE OF ANY PART OF THESE DOCUMENTS IS AUTHORIZED WITHOUT THE WRITTEN PERMISSION OF THOMAS M. SMITH

ENGINEERING SERVICES PROVIDED DO NOT GUARANTEE COMPETENCE OF THE CONTRACTOR BUILDING THE PROJECT. THOMAS M. SMITH ACCEPTS NO LIABILITY FOR METHODS OR APPLIANCES USED BY THE CONTRACTOR, NOR ASSUMES RESPONSIBILITY FOR JOB SAFETY AS REQUIRED BY THE LAWS AND REGULATIONS.

Thomas M. Smith
THOMAS M. SMITH
License No. 21960
PROFESSIONAL ENGINEER
IN
CIVIL ENGINEERING
9/16/22

THOMAS M. SMITH P.E.		CONSULTING ENGINEER	
6516 BOUTALL ST.		METAIRIE, LA. 70003	
TEL. (504) 887-3882			
TITLE			
RESIDENCE FOR 5137 SANDHURST DR. NEW ORLEANS, LA.			
PLUMBING RISER DIAGRAM			
DATE		F.C./JOB NO.	
08/15/22			
SCALE	NOTED	CHRD	TWS
DRN	By	SHEET	1 OF 1
RHB			
DRAWING NO.			REV.
PR1			