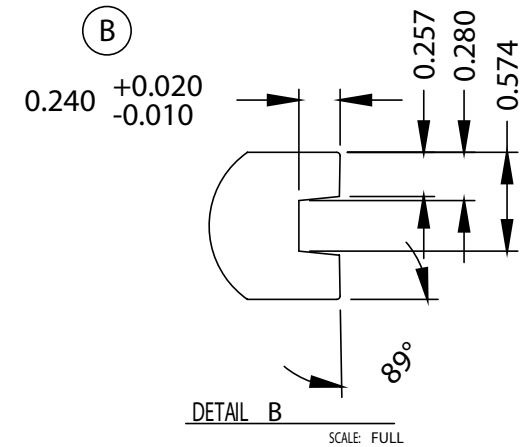
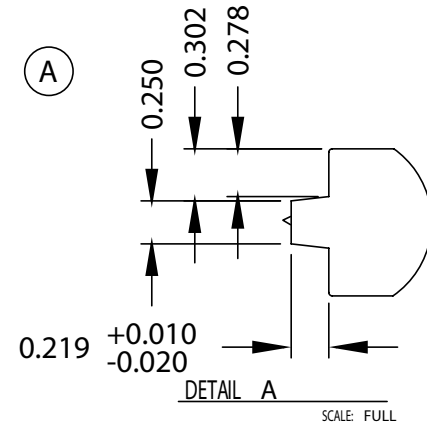
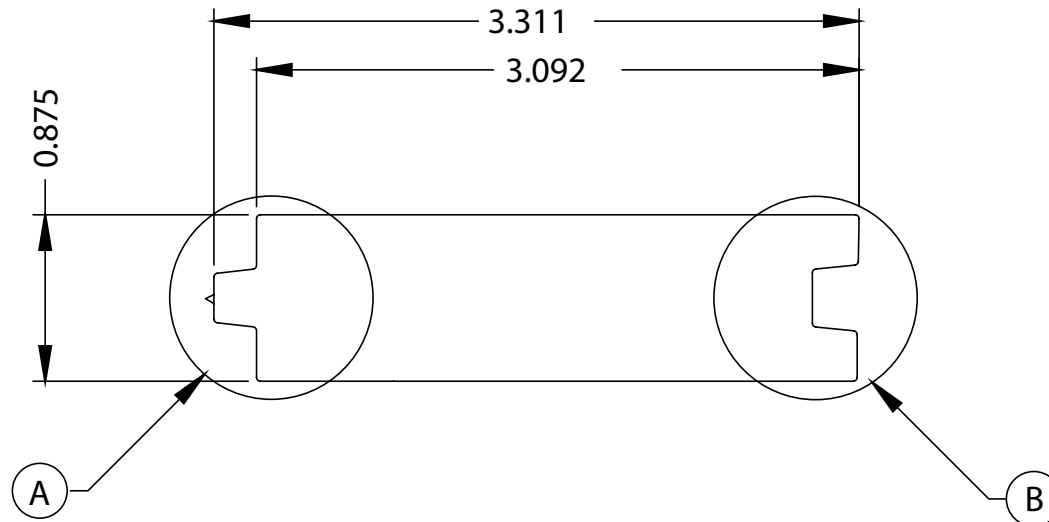


# ÆRATIS®

PVC PORCH PRODUCTS

## Traditions Product Line



**Product Data:**

- Lengths:** 12', 16', 20' (1" longer than stated)
- Fastening:** Flooring nail/staples or trim-head screws
- Ventilation:** 0" / Ventilation not required
- Span:** 16" O.C. (Live load > 625 lbs p.s.f.)
- Color:** Paint Ready (5-A paint adhesion)
- Profile:** Double sided (Embossing on both sides)



Approved by:	Aeratis Porch Products
REV:	1.01
Date:	01/29/2019
Type:	DWG/DXF/PDF/AI