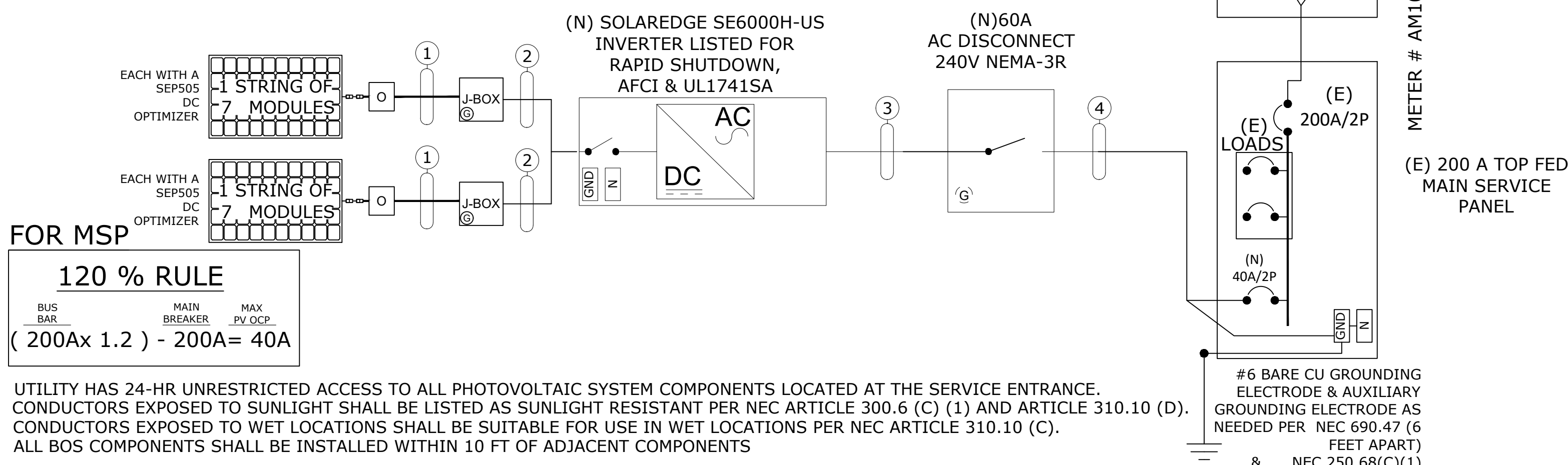


| WIRE TAG # | CONDUIT | WIRE QTY | WIRE GAUGE | WIRE TYPE | TEMP RATING | WIRE AMP | TEMP DE-RATE | CONDUIT FILL | WIRE OCP | TERMINAL 75°C RATING | STRING WATTAGE | OPERATING VOLTAGE | STRING AMPS | NEC = MAX AMPS | MAX. SYSTEM VOLTAGE | GRND SIZE | GRND WIRE TYPE |
|------------|----------|----------|------------|-----------|-------------|----------|--------------|--------------|----------|----------------------|----------------|-------------------|-------------|-----------------|---------------------|-----------|----------------|
| 1 | Open Air | 2 | #10 | PV WIRE | 90° | 40 | x 0.96 | x 1 | = 38.40A | 35 A | 2905 | / 380 | = 7.64 | x 1.25 = 9.56A | 480 | #6 | SBC |
| 2 | 3/4" EMT | 2 | #10 | THWN-2 | 90° | 40 | x 0.96 | x 1 | = 38.40A | 35 A | 2905 | / 380 | = 7.64 | x 1.25 = 9.56A | 480 | #10 | THWN-2 |
| 3 | 3/4" EMT | 3 | #10 | THWN-2 | 90° | 40 | x 0.96 | x 1 | = 38.40A | 35 A | / | | = 25 | x 1.25 = 31.25A | 240 | #10 | THWN-2 |
| 4 | 3/4" EMT | 3 | #10 | THWN-2 | 90° | 40 | x 0.96 | x 1 | = 38.40A | 35 A | / | | = 25 | x 1.25 = 31.25A | 240 | #10 | THWN-2 |

| INVERTER SPECS | OPTIMIZER SPECS | DISCONNECTS | MODULE SPECS | ASHRAE AMBIENT TEMPERATURE SPECS | | |
|---|---|---|--|----------------------------------|--|---------------------------|
| INVERTER:SE6000H-US QTY:1 VOLTAGE: 240 WATTAGE: 6000 NEC EFF: 99% | OPTIMIZER:P505 QTY:14 CELL: 66 ISC: 15 MAX STRING WATTAGE: 5700 | MAKE:EATON DG222URB QTY:1 RATED CURRENT: 60A MAX RATED VOLTAGE: 240V | MODULE TYPE: CS3N-415MS QTY: 14 WATTAGE: 415 Voc: 45.1V Isc: 11.68A Imp: 10.98A Vpmax: 37.8V FRAME COLOR: BLACK | High Temp 2% Avg. 34.2° C | DISTANCE ABOVE ROOF 1" NO TEMP ADDER PER 310.15(B)(3)(C) | EXTREME MIN -1.3° C |



FOR MSP

120 % RULE

BUS BAR MAIN BREAKER MAX PV OCP

$(200A \times 1.2) - 200A = 40A$

UTILITY HAS 24-HR UNRESTRICTED ACCESS TO ALL PHOTOVOLTAIC SYSTEM COMPONENTS LOCATED AT THE SERVICE ENTRANCE. CONDUCTORS EXPOSED TO SUNLIGHT SHALL BE LISTED AS SUNLIGHT RESISTANT PER NEC ARTICLE 300.6 (C) (1) AND ARTICLE 310.10 (D). CONDUCTORS EXPOSED TO WET LOCATIONS SHALL BE SUITABLE FOR USE IN WET LOCATIONS PER NEC ARTICLE 310.10 (C). ALL BOS COMPONENTS SHALL BE INSTALLED WITHIN 10 FT OF ADJACENT COMPONENTS

METER # AM10692189



| | | | | | |
|---|---|--|---|--------|---|
| | JOB NUMBER: P-005666 | OWNER: BRANDON AVERY, 5530 CAMERON BLVD, NEW ORLEANS, LA 70122 | DESCRIPTION: BRANDON AVERY, RESIDENCE | STAMP: | PV-5 PAGE NAME: SINGLE-LINE DIAGRAM |
| | UTILITY: ENERGY | RACKING: K2 CROSSRAIL SYSTEM | 5.81 kWDC ROOF SOLAR SYSTEM PRODUCTION: 7,247kWH | | |
| POSIGEN DEVELOPER, LLC 819 CENTRAL AVE STE 210 JEFFERSON, LA 70121 LA ELECTRICAL LICENSE :74446 | MODULES: (14)CANADIAN SOLAR CS3N-415MS | ACCOUNT NO. : 165574609 | DESIGNED BY: ENERQUAL TECHNOLOGY PVT. LTD. | REV: | SCALE: NTS |
| | OPTIMIZER: (14) SOLAREEDGE P505 OPTIMIZER | INVERTER: (1)SOLAREEDGE SE6000H-US | | | DATE: 10/27/2022 |

| GROUNDING NOTES | |
|-----------------|--|
| 1 | ALL EQUIPMENT SHALL BE PROPERLY GROUNDED PER THE REQUIREMENTS OF NEC ARTICLES 250 & 690 |
| 2 | INSTALLER SHALL CONFIRM THAT MOUNTING SYSTEM HAS BEEN EVALUATED FOR COMPLIANCE WITH UL 2703 "GROUNDING AND BONDING" WHEN USED WITH PROPOSED PV MODULE. |
| 3 | PV MODULES SHALL BE GROUNDED TO MOUNTING RAILS USING MODULE LUGS OR RACKING INTEGRATED GROUNDING CLAMPS AS ALLOWED BY LOCAL JURISDICTION. ALL OTHER EXPOSED METAL PARTS SHALL BE GROUNDED USING UL-LISTED LAY-IN LUGS. |
| 4 | GROUNDING AND BONDING CONDUCTORS, IF INSULATED, SHALL BE COLOR CODED GREEN, OR MARKED GREEN IF #4AWG OR LARGER |
| 5 | AC SYSTEM GROUNDING ELECTRODE CONDUCTOR (GEC) SHALL BE A MINIMUM SIZE #8AWG WHEN INSULATED, #6AWG IF BARE WIRE. |
| 6 | IF THE EXISTING MAIN SERVICE PANEL DOES NOT HAVE A VERIFIABLE GROUNDING ELECTRODE, IT IS THE CONTRACTOR'S RESPONSIBILITY TO INSTALL A SUPPLEMENTAL GROUNDING ELECTRODE. |

| | |
|---|--|
| 7 | EQUIPMENT GROUNDING CONDUCTORS SHALL BE SIZED ACCORDING TO NEC ARTICLE 690.45, AND BE A MINIMUM OF #10AWG WHEN NOT EXPOSED TO DAMAGE, AND #6AWG SHALL BE USED WHEN EXPOSED TO DAMAGE |
|---|--|

NOTES :

- MATING CONNECTORS SHALL COMPLY WITH NEC 690.33.
- SOLAR EDGE SYSTEM MEETS REQUIREMENTS FOR PHOTOVOLTAIC RAPID SHUTDOWN SYSTEM (PVRSS), AS PER NEC 690.12(B).
- THE SPECIFIED OPTIMIZER CAN BE SUBSTITUTED WITH A P400, P405, P505, P401, OR P485. THESE OPTIMIZERS HAVE AN INPUT VOLTAGE WINDOW WIDE ENOUGH TO ACCOMMODATE THE OUTPUT VOLTAGE RANGE OF THE MODULE AT THE DESIGN TEMPERATURES, HAVE A MAX INPUT CURRENT RATING THAT IS ABOVE THE MAX OUTPUT CURRENT OF THE MODULE, AND A MAX POWER INPUT THAT IS ABOVE THE RATED POWER OUTPUT OF THE MODULE.
- DC PV CONDUCTORS ARE NOT SOLIDLY-GROUNDED. NO DC PV CONDUCTOR SHALL BE WHITE- OR GRAY-COLORED
- ALL METAL ENCLOSURES, RACEWAYS, CABLES AND EXPOSED NONCURRENT-CARRYING METAL PARTS OF EQUIPMENT SHALL BE GROUNDED TO EARTH AS REQUIRED BY NEC 250.4(A) AND PART III OF ARTICLE 250 AND EQUIPMENT GROUNDING CONDUCTORS SHALL BE SIZED ACCORDING TO NEC 690.45. THE GROUNDING ELECTRODE SYSTEM SHALL ADHERE TO NEC 690.47(A) AND NEC 250.169. THE DC GROUNDING ELECTRODE SHALL BE SIZED ACCORDING TO NEC 250.166 AND INSTALLED IN COMPLIANCE WITH NEC 250.64.
- MAX DC VOLTAGE OF ARRAY FIXED BY THE INVERTER AT 380V REGARDLESS OF TEMPERATURE. THE MAX DC VOLTAGE OF THE MODULE AT -15°C IS 53.2V (-15°C - 25°C) X -0.138V/C + 47.7V = 53.2V).
- POINT-OF-CONNECTION IS ON THE SUPPLY SIDE OF SERVICE DISCONNECT, INSIDE PANELBOARD ENCLOSURE USING UNUSED TERMINALS, TERMINALS THAT ARE SUITABLE FOR DOUBLE LUGGING, OR USING OTHER LOCALLY-APPROVED METHODS AND HARDWARE, IN COMPLIANCE WITH NEC 705.12(A). THE PANELBOARD SHALL HAVE SUFFICIENT SPACE TO ALLOW FOR ANY TAP HARDWARE AS REQUIRED BY NEC 110.3 AND NEC 312.8(A)
- PV SYSTEM DISCONNECT SHALL BE A VISIBLE KNIFE-BLADE TYPE DISCONNECT THAT IS ACCESSIBLE AND LOCKABLE BY THE UTILITY. THE DISCONNECT SHALL BE LOCATED WITHIN 10 FT OF UTILITY METER. DISCONNECT SHALL BE GROUPED IN ACCORDANCE WITH NEC 230.72.

| | | | | | |
|--|---|--|-----------------------------|--------|---|
|  PosiGen Solar Energy and Energy Efficiency | JOB NUMBER: P-005666 | OWNER: | DESCRIPTION: | STAMP: | PV-5.1 PAGE NAME: ELECTRICAL NOTES |
| | UTILITY: ENERGY | BRANDON AVERY, 5530 CAMERON BLVD, NEW ORLEANS, LA 70122 | BRANDON AVERY, RESIDENCE | | |
| POSIGEN DEVELOPER, LLC 819 CENTRAL AVE STE 210 JEFFERSON, LA 70121 LA ELECTRICAL LICENSE :74446 | RACKING: K2 CROSSRAIL SYSTEM | 5.81 kWDC ROOF SOLAR SYSTEM PRODUCTION: 7,247kWH | | | SCALE: NTS |
| | MODULES: (14)CANADIAN SOLAR CS3N-415MS | ACCOUNT NO. : 165574609 | DESIGNED BY: | REV: | DATE: 10/27/2022 |
| | OPTIMIZER: (14) SOLAREEDGE P505 OPTIMIZER |  ENERQUAL TECHNOLOGY PVT. LTD. | | | |
| INVERTER: (1)SOLAREEDGE SE6000H-US | | | | | |