

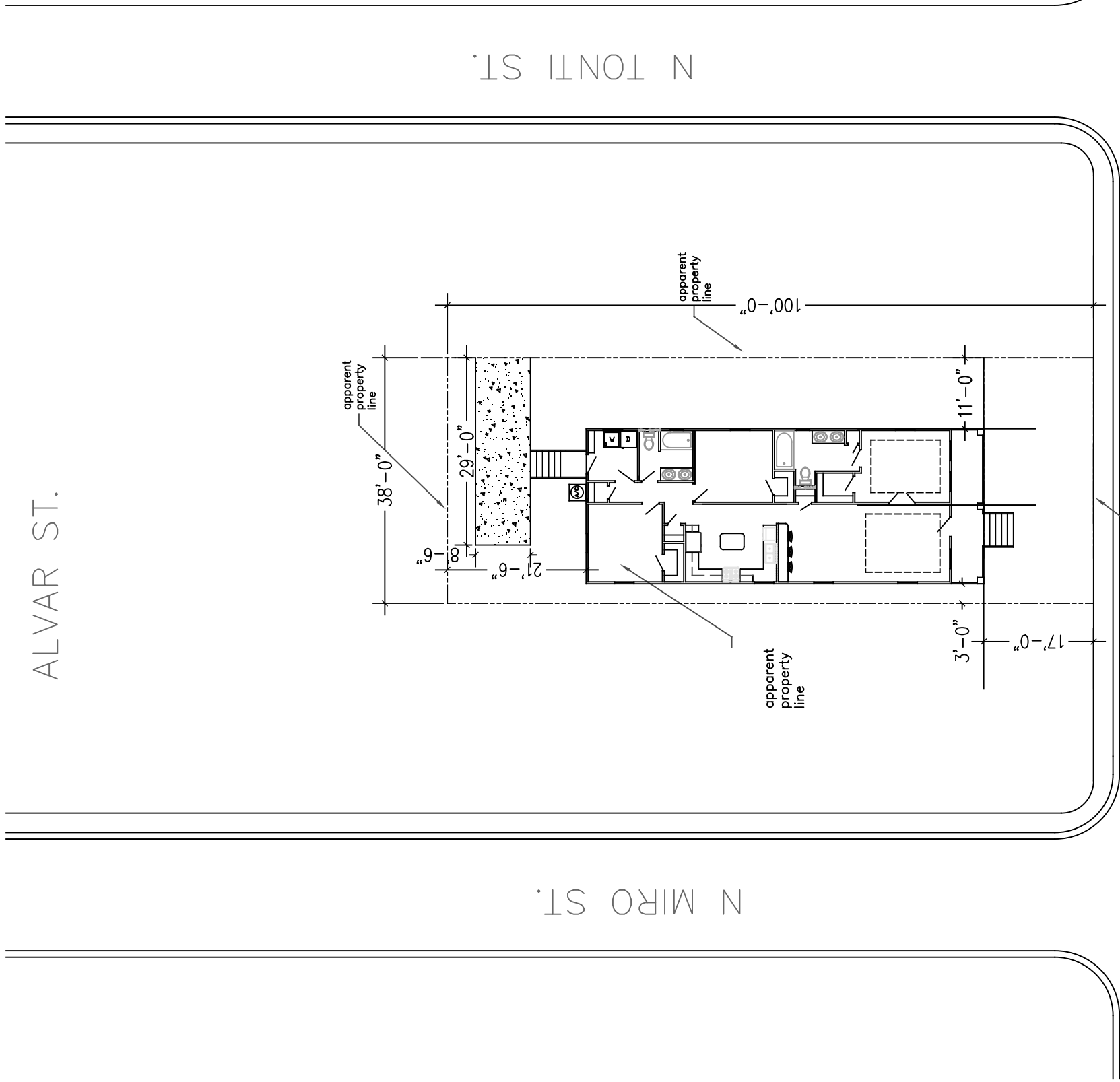
THESE PLANS ARE THE SOLE PROPERTY OF K CROCKETT DESIGNS, LLC. ALL RIGHTS ARE RESERVED BY THE ENGINEER AND USE OF THESE PLANS FOR CONSTRUCTION PURPOSES, OR FOR REPRODUCTION THEREOF, IN WHOLE OR IN PART, IS FORBIDDEN WITHOUT COMPENSATION TO AND WRITTEN PERMISSION FROM THE ENGINEER.
 EVERY EFFORT HAS BEEN MADE TO INSURE THE ACCURACY AND CORRECTNESS OF THESE PLANS. HOWEVER, THE ENGINEER DOES NOT ACCEPT RESPONSIBILITY FOR THE CONTRACTOR TO CHECK THESE PLANS FOR ACCURACY OR ERROR. ANY DISCREPANCY SHOULD BE REPORTED FOR CORRECTION PRIOR TO BEGINNING CONSTRUCTION.

K CROCKETT DESIGNS, LLC
<http://www.kcrockettdesigns.com>
 NEW ORLEANS, LA 70114

Note:

Property dimensions are approximate. See survey plot for actual dimensions.

ALVAR ST.



BARTHOLOMEW ST.

General Notes		
SITE PLAN		
1	CODE	3/23/07
No.	Revision/Issue	Date
<small>Firm Name and Address</small> K CROCKETT DESIGNS, LLC KENNON C. CROCKETT, P.E. 3430 INDIANA ST. NEW ORLEANS, LA 70114 504-338-8571		
<small>Project Name and Address</small> DAVID BERRIOS 2238 BARTHOLOMEW ST. NEW ORLEANS, LA 70117 917-242-2346		
<small>Project</small> <small>Date</small> <small>Scale</small> 1" = 20'	C-1	