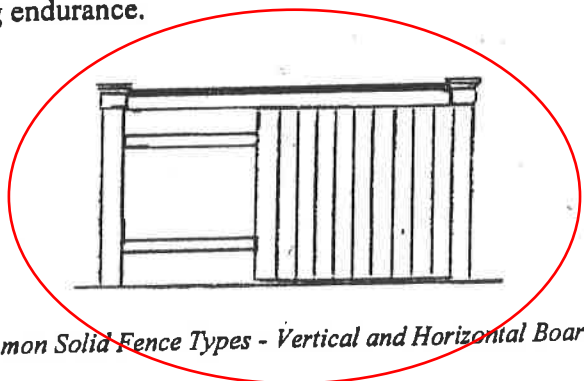


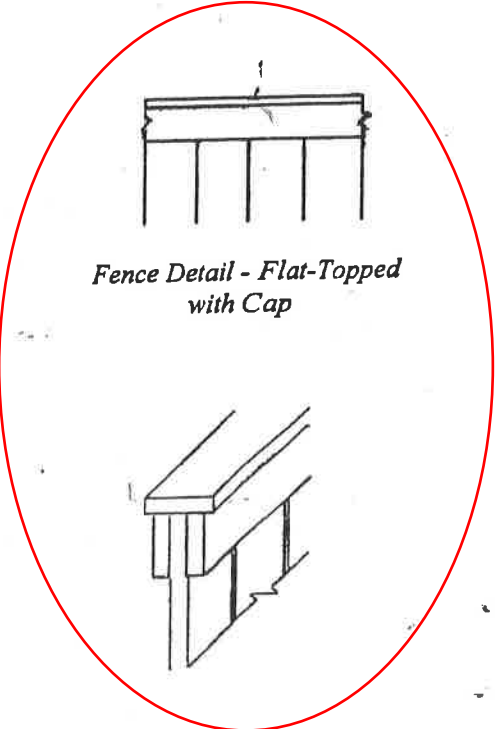
Additional Standards for Wood Fences-Solid Type

Note: The fences illustrated below must meet the conditions provided for in the policy on fences, gates and walls.

Solid wood fences are usually constructed of boards, posts, and rails. Types of wood used include pine, cedar, and redwood. This wood is painted, stained, or treated to protect the wood and insure long endurance.



Common Solid Fence Types - Vertical and Horizontal Board



Fence Detail - Flat-Topped with Cap

