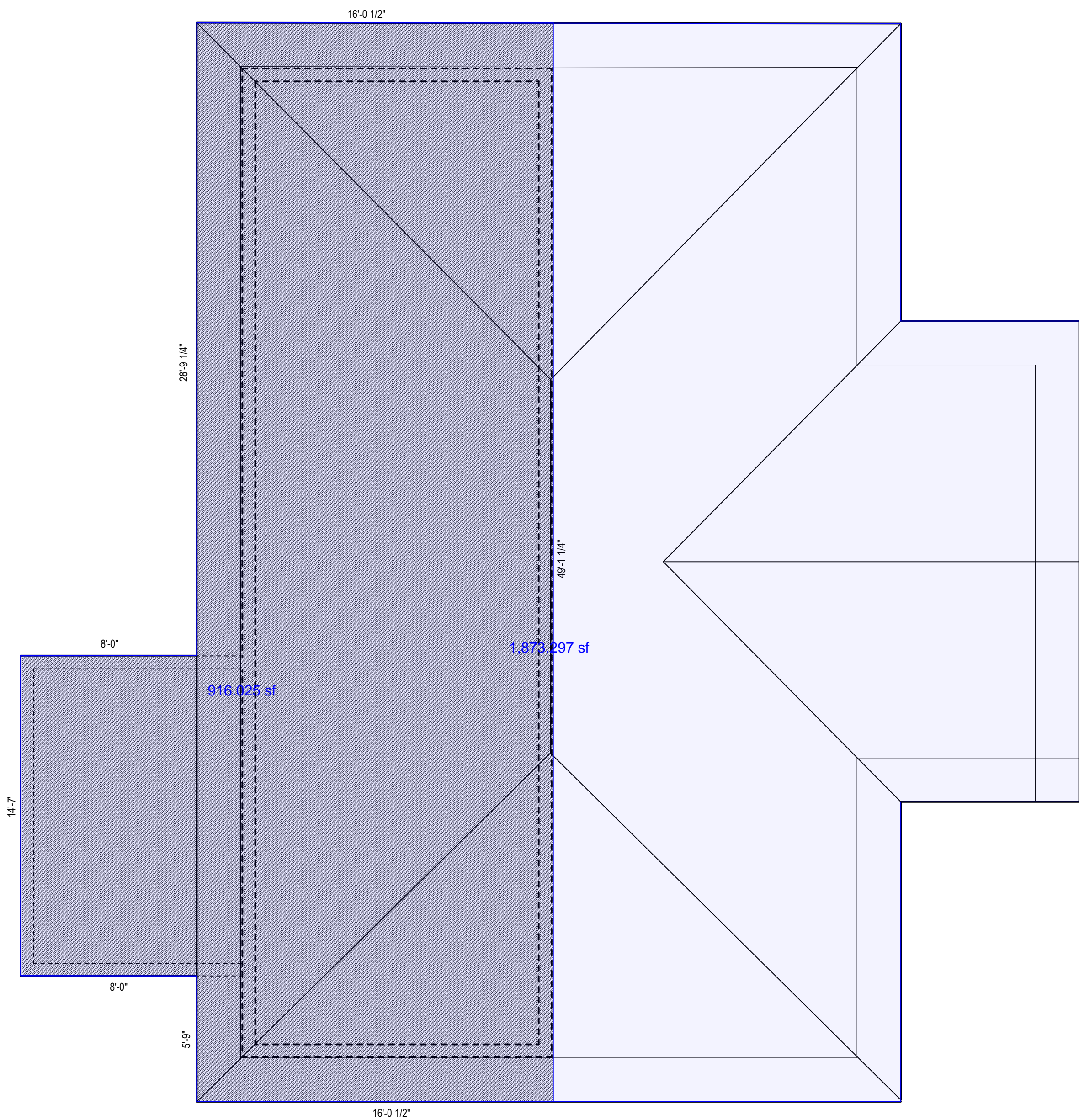
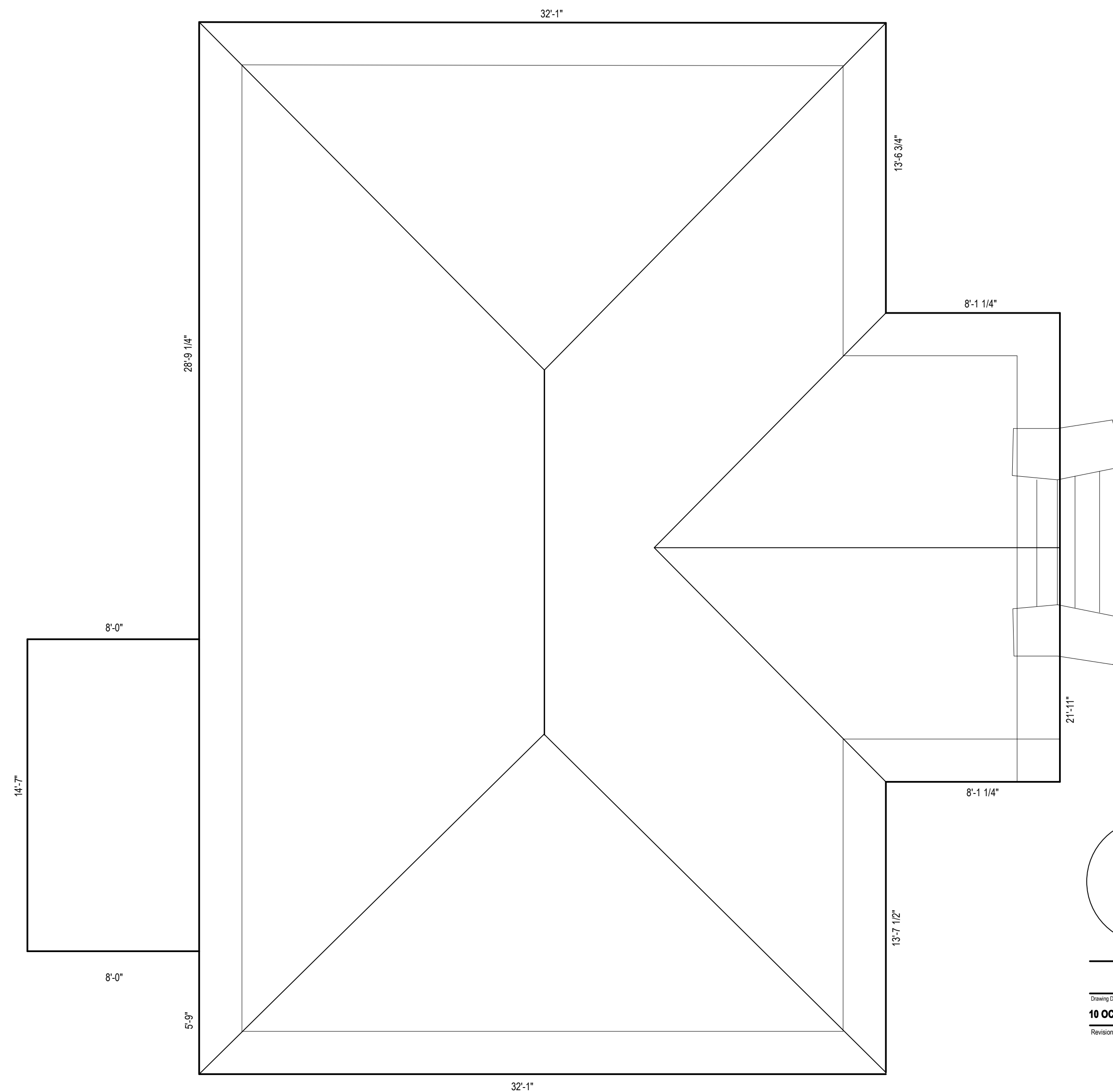


HDLC Roof Demolition Calculations:
 Total Roof Area = 1,873.297 SF
 Total Roof Area Demolished = 916.025 SF = 48.9%



AREA TO BE REMOVED: 908 S.F. (48.6%)
1 DEMOLITION ROOF PLAN
 1/4" = 1'-0"
 project north
 north



1,867.8 S.F. EXISTING ROOF PLAN
 1/4" = 1'-0"
 project north
 north

DEMOLITION SUMMARY
 EXISTING ROOF AREA: 1,867.8 S.F.
 DEMOLITION AREA: 908 S.F.
 AREA REMOVED: 48.6%

NOT FOR CONSTRUCTION

Drawing Date:
10 OCTOBER 2022
 Revision Dates:
 X

Project Name:
2127 PINE ST.
 NEW ORLEANS, LOUISIANA

Sheet Title:
ROOF DEMOLITION PLANS
 Sheet Number:

A1.3