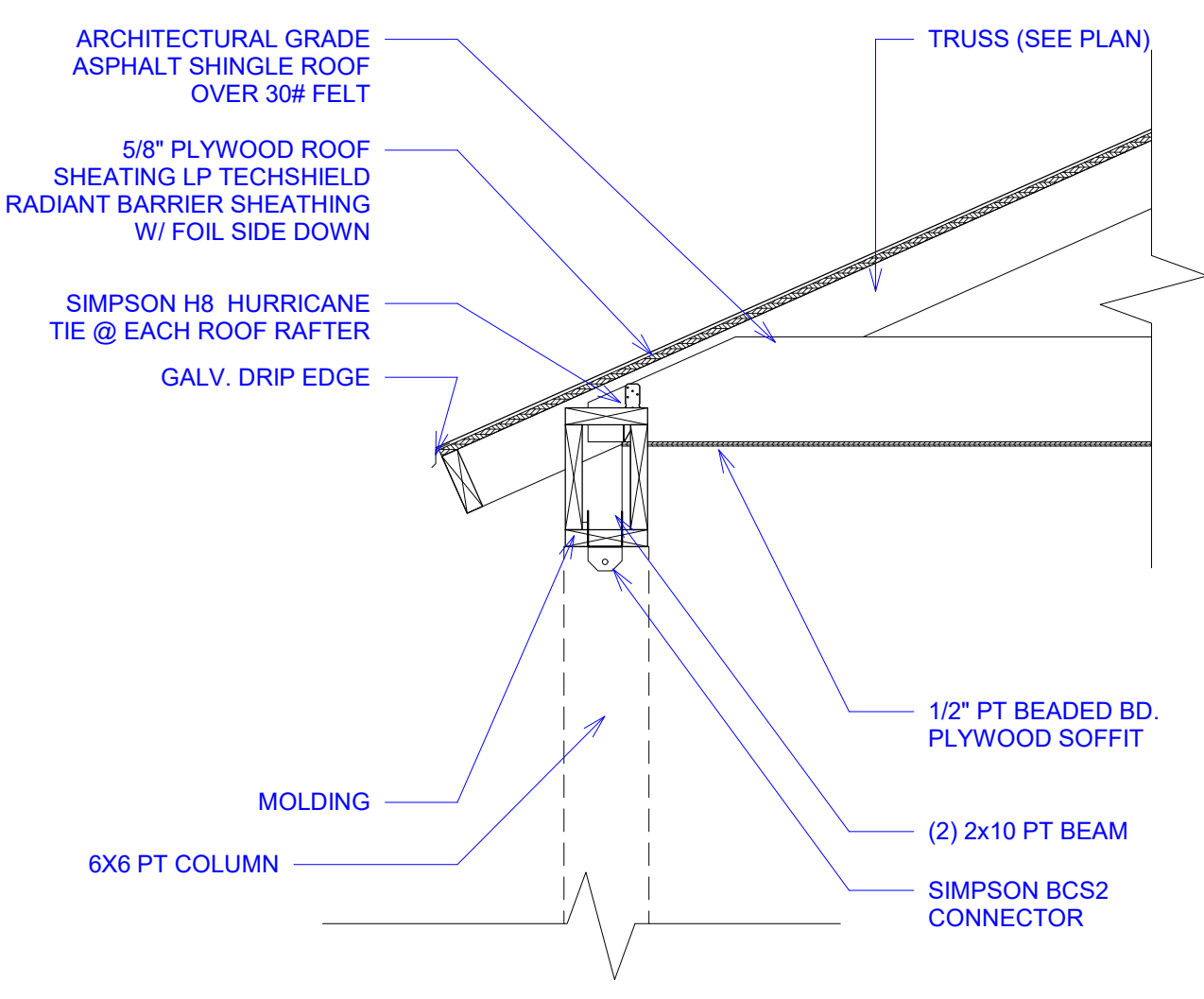
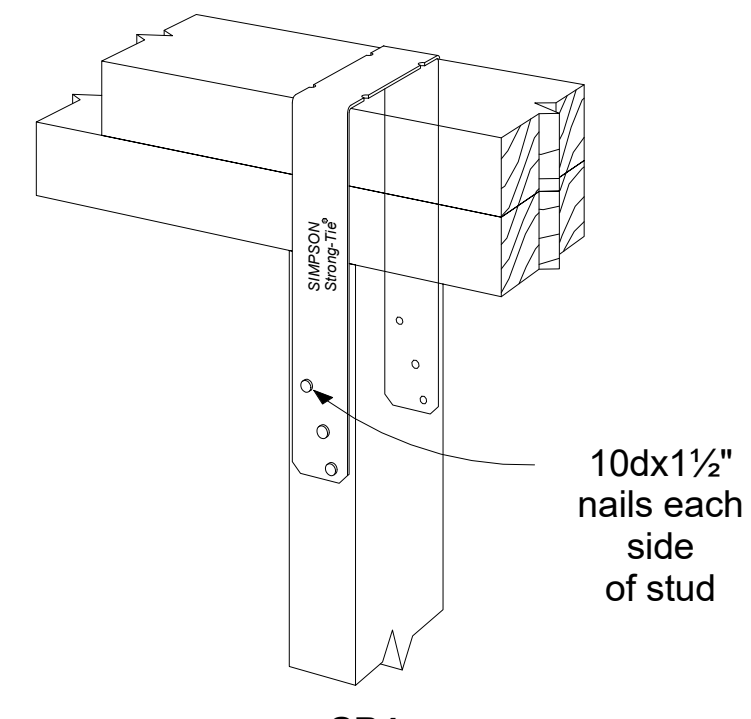


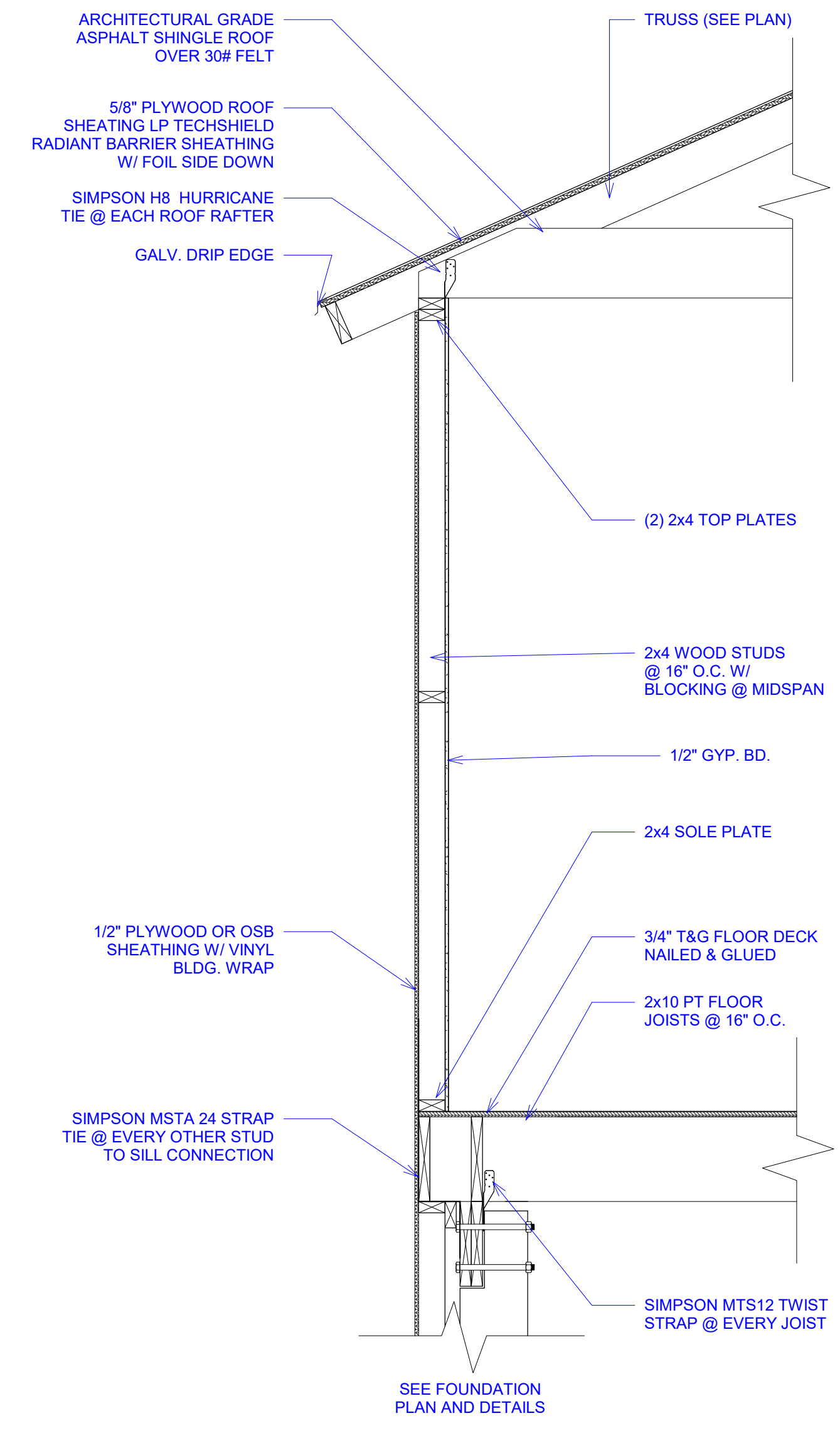
1 SECTION
3/4" = 1'-0"



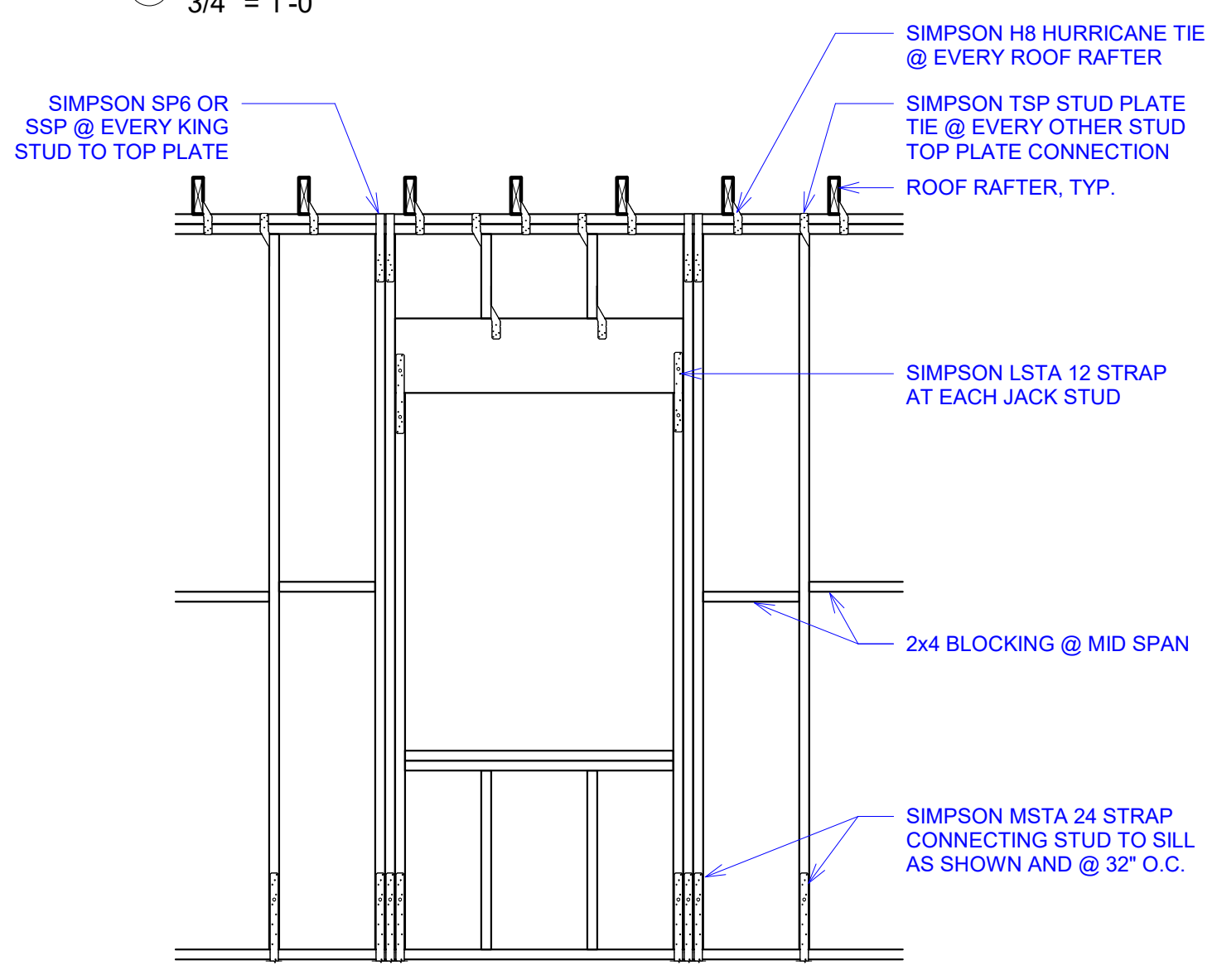
2 COLUMN CONNECTION DETAIL
3/4" = 1'-0"



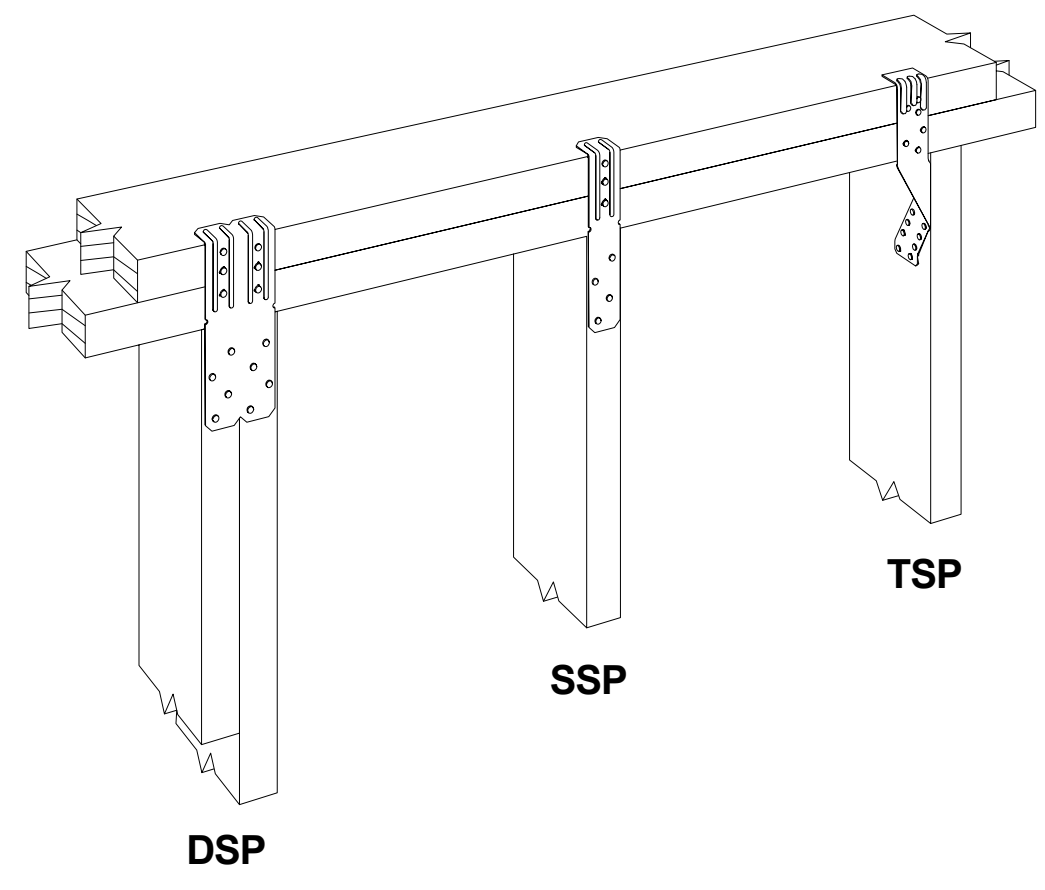
3 SP4 DETAIL
12" = 1'-0"



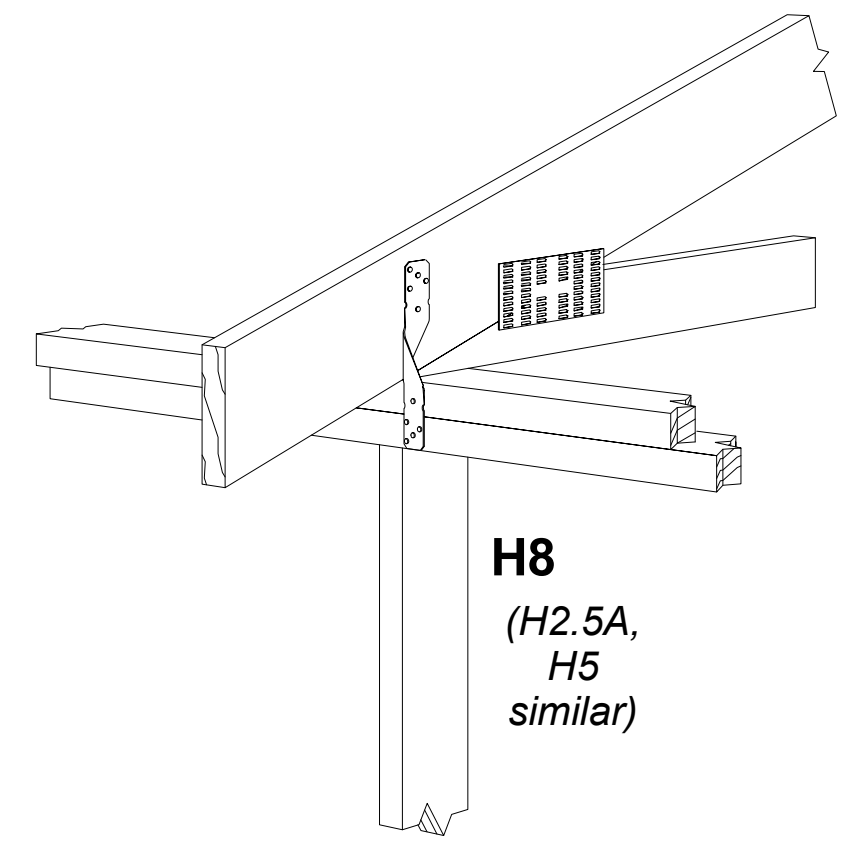
7 TYPICAL WALL SECTION
3/4" = 1'-0"



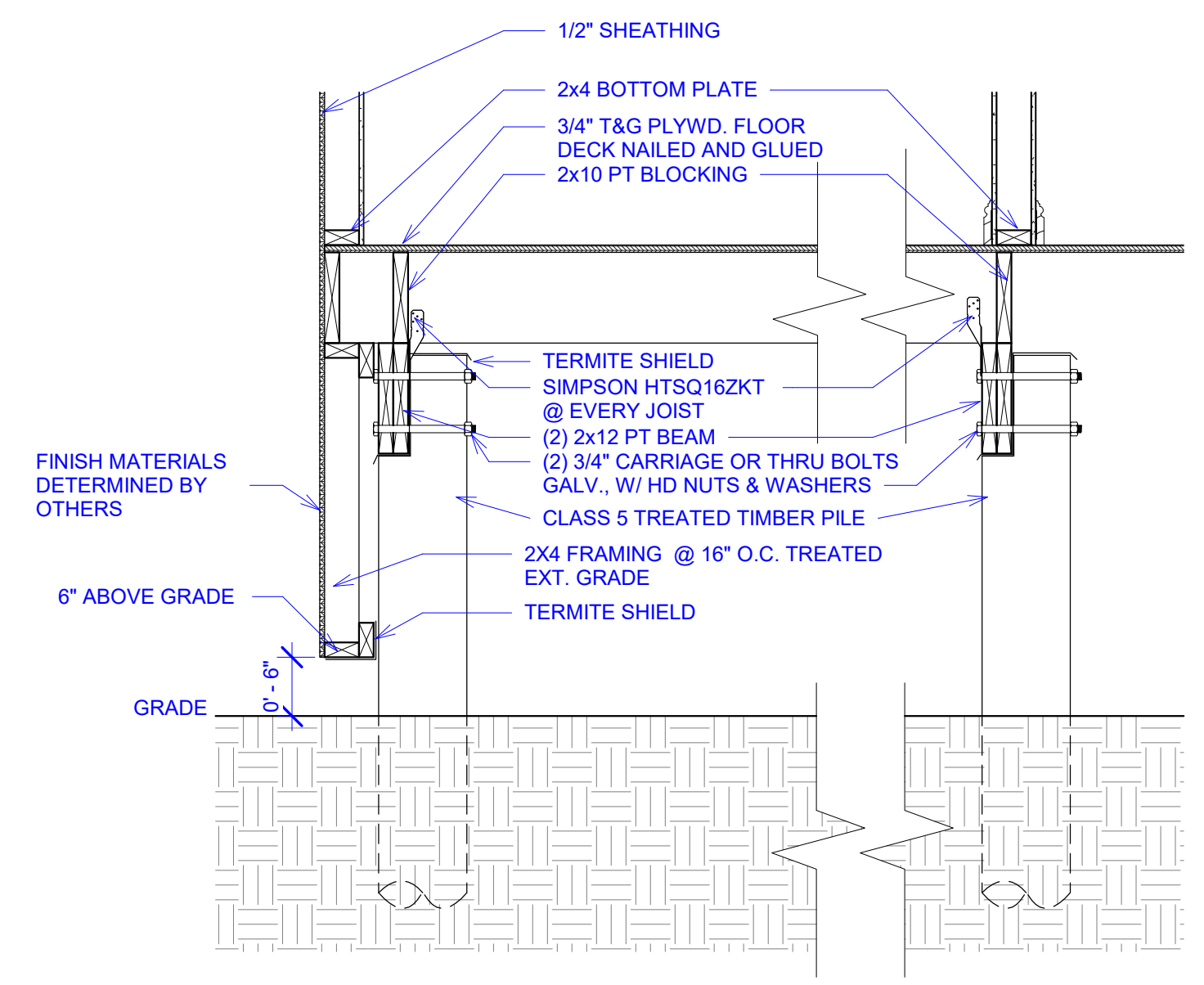
4 TYP. WINDOW/DOOR OPENING
1/2" = 1'-0"



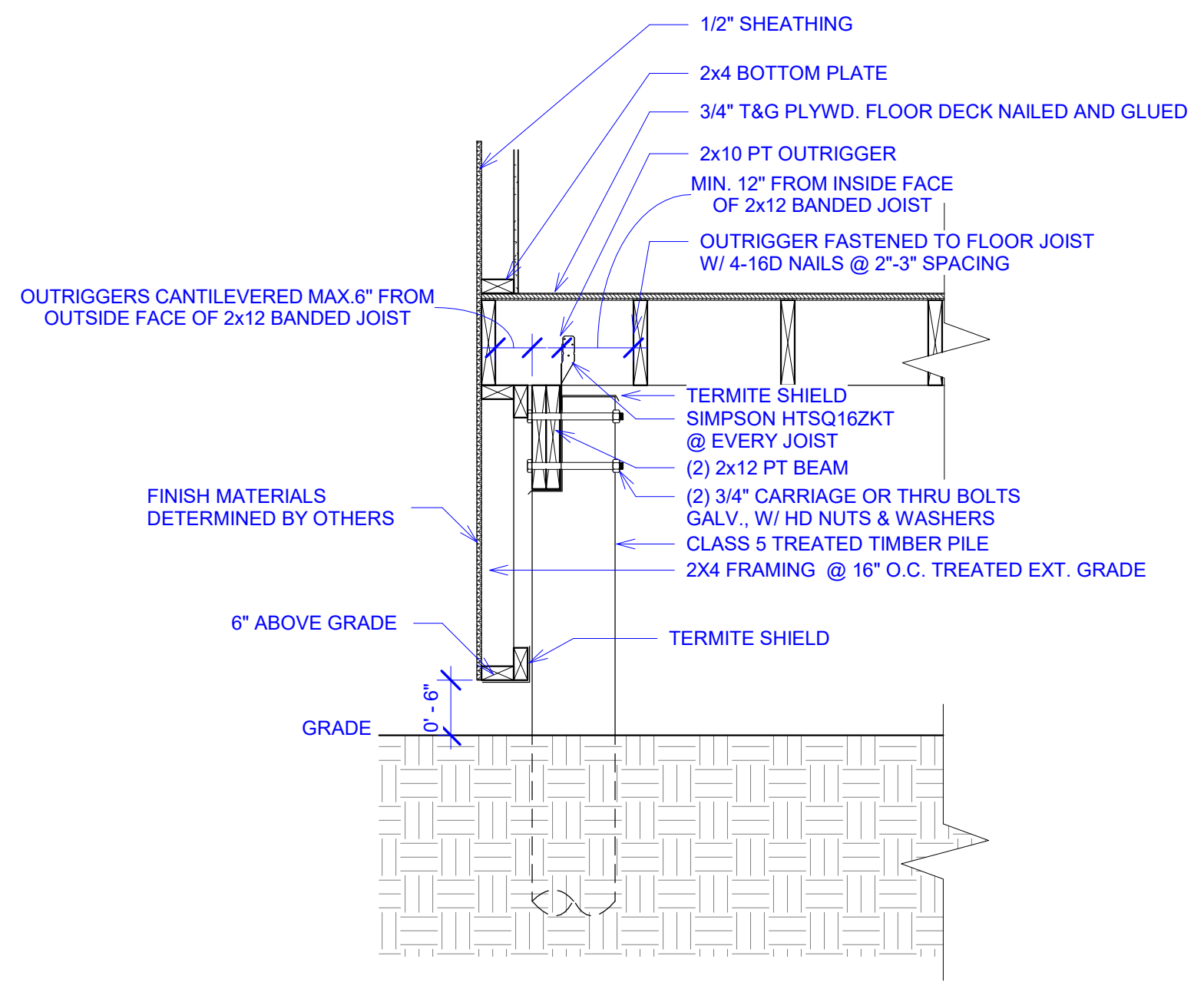
5 TSP & SSP DETAILS
12" = 1'-0"



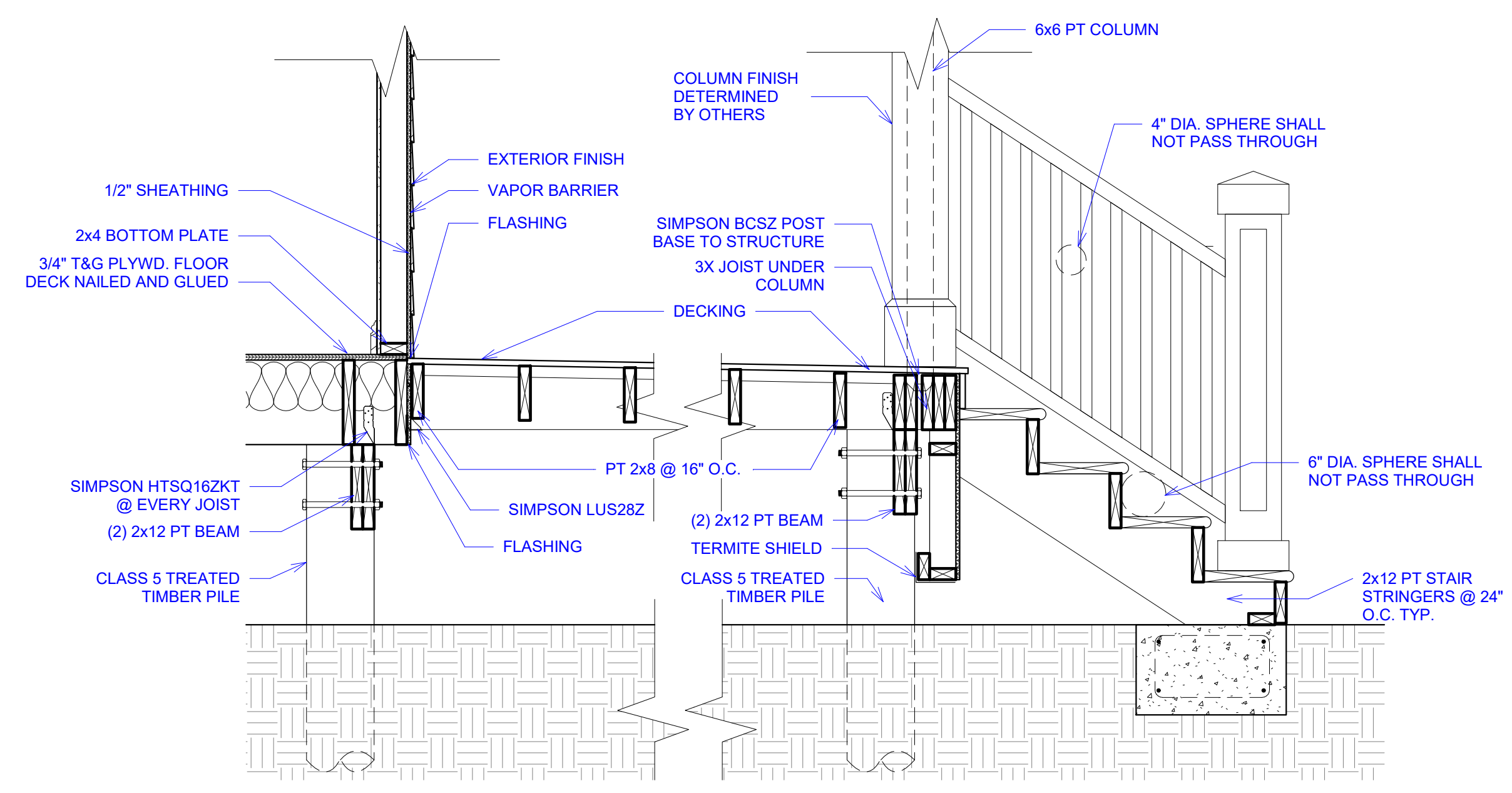
6 H8 DETAIL
12" = 1'-0"



8 TYP. FOUNDATION DETAIL
3/4" = 1'-0"



9 TYP. FOUNDATION DETAIL
3/4" = 1'-0"



10 SECTION @ PORCH STAIRS
3/4" = 1'-0"

Date	
Description	
No.	

wingate
ENGINEERS

2114 France St.
HABITAT FOR HUMANITY
NEW ORLEANS AREA

STRUCTURAL DETAILS

Project Number	2019-37-06
Date	9/29/2022
Drawn By	TL
Checked By	JT

