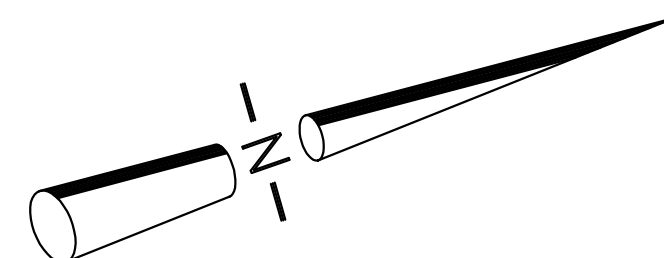


CODE COMPLIANCE:

WIND SPEED 130 MPH.

1. THE 2015 INTERNATIONAL RESIDENTIAL CODE.
2. WOOD FRAME CONSTRUCTION MANUAL FOR ONE AND TWO FAMILY DWELLINGS. (WFCM).
3. INTERNATIONAL CODE COUNCIL (ICC) STANDARD FOR RESIDENTIAL CONSTRUCTION IN HIGH WIND REGIONS (ICC600).

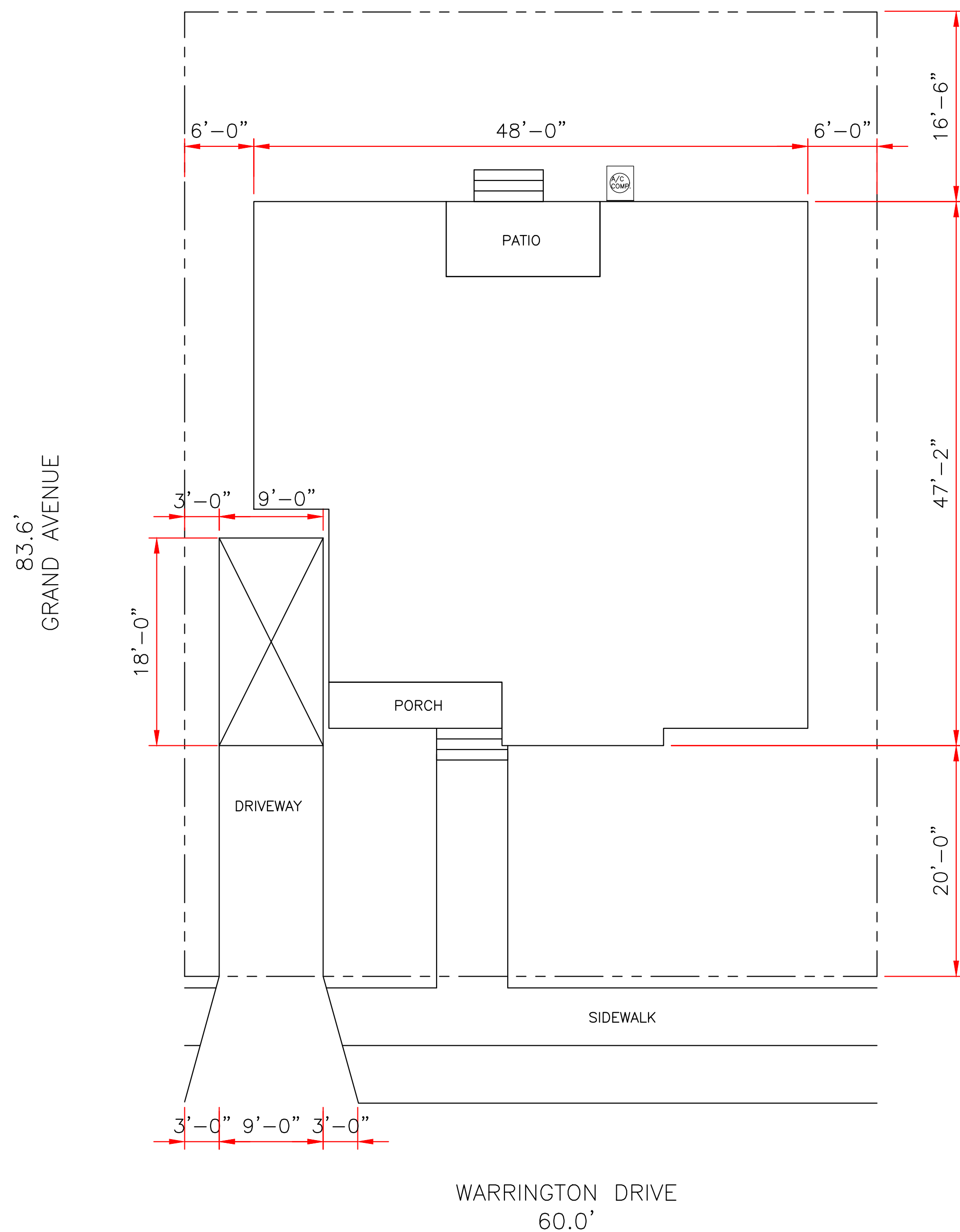


WIND BORNE DEBRIS PROTECTION

WINDOWS IN BUILDING LOCATED IN WIND BORNE DEBRIS REGIONS SHALL HAVE GLAZED OPENINGS PROTECTED FROM WIND BORNE DEBRIS. WOOD STRUCTURAL PANELS WITH A MIN. THICKNESS OF 1/2" AND A MAX. SPAN OF 8 FEET SHALL BE PERMITTED FOR OPENING PROTECTION IN ONE AND TWO STORY BUILDINGS. PANELS SHALL BE PRECUT TO COVER THE GLAZED OPENINGS WITH ATTACHMENT HARDWARE PROVIDED.

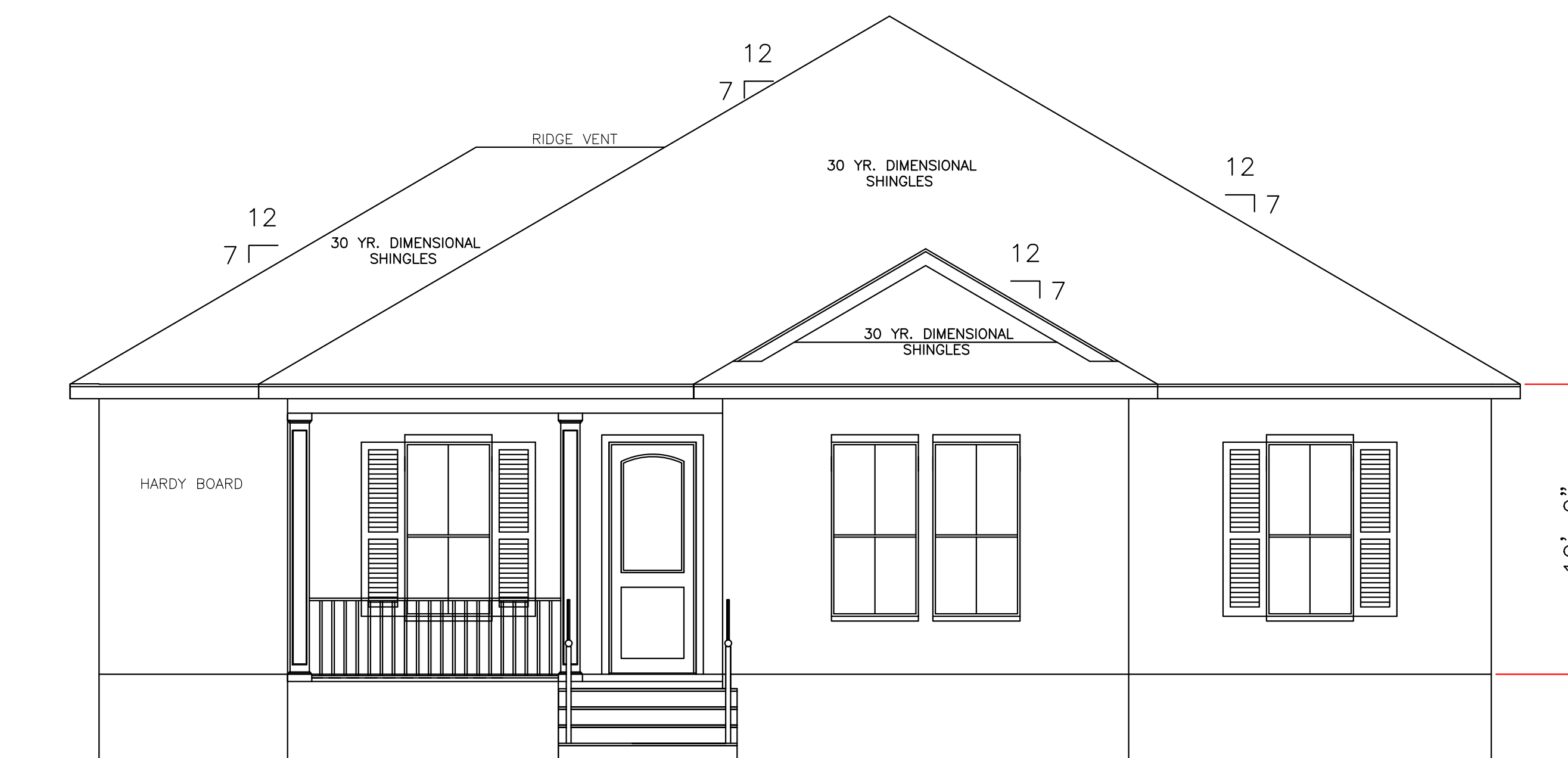


60.00'
N.O. PKWY. COMMISSION

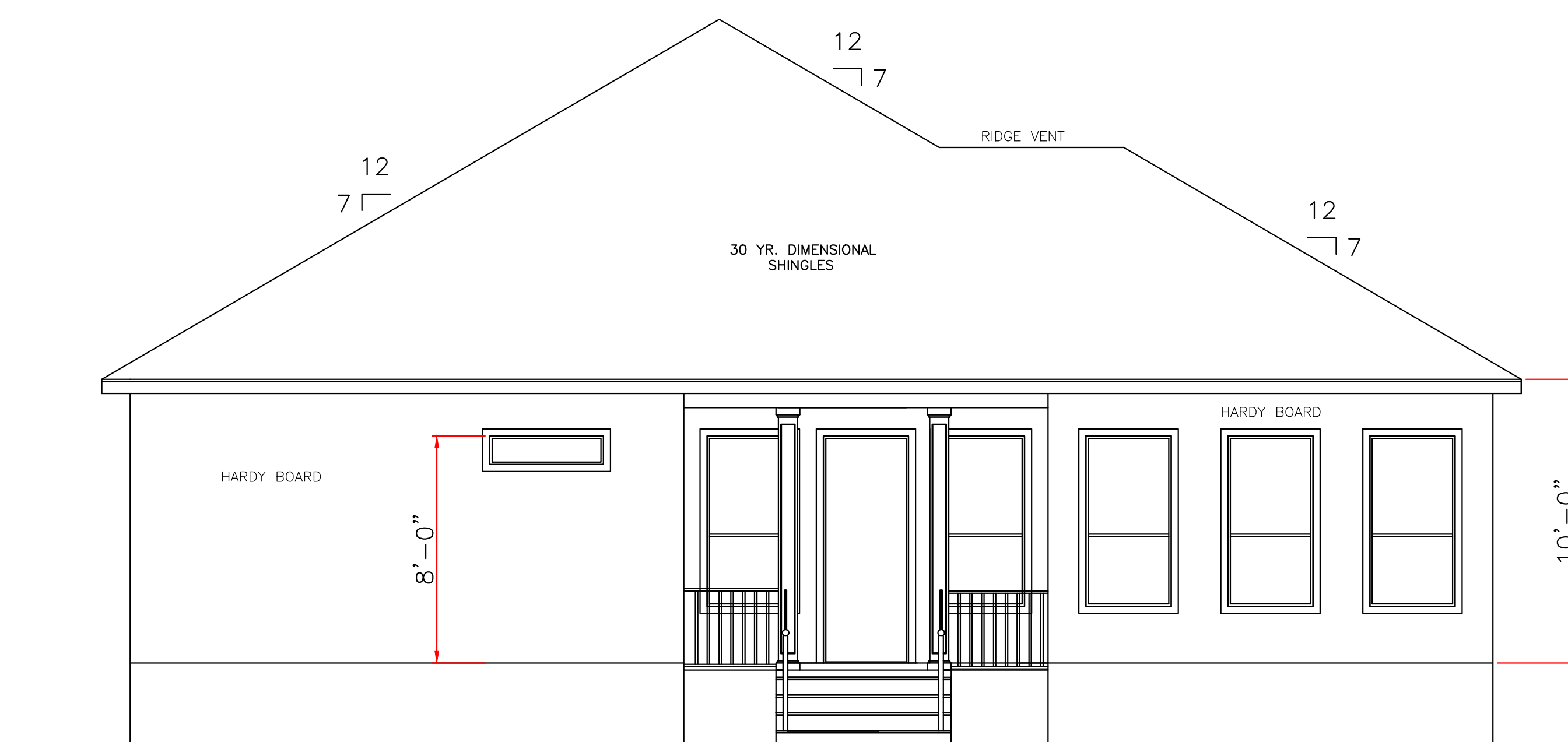


SITE PLAN
SCALE: 1/8" = 1'-0"

LOT# 7, SQ.# A
THIRD DISTRICT
GENTILLY PARK
ORLEANS PARISH, LA



FRONT ELEVATION
SCALE: 1/4" = 1'-0"



REAR ELEVATION
SCALE: 1/4" = 1'-0"

ST. ANTHONY ST (SIDE)
83.6'

THESE PLANS HAVE BEEN PROPERLY EXAMINED BY THE UNDERSIGNED. I HAVE DETERMINED THAT THEY COMPLY WITH THE FOLLOWING EXISTING STATE AND LOCAL BUILDING CODES FOR THE JURISDICTION IN WHICH THE RESIDENCE IS TO BE LOCATED.

REVISED DATE: 9-27-22

IN THE EVENT THAT A DIMENSIONAL DISCREPANCY IN THE DRAWINGS IS DISCOVERED BY THE GENERAL CONTRACTOR, SUBCONTRACTORS, ENGINEER, CONSULTANT, OR A SUPPLIER, SAID PARTY SHALL IMMEDIATELY NOTIFY THE ARCHITECT AND SUSPEND ALL ASSOCIATED WORK UNTIL SUCH TIME THAT A PROPER DETERMINATION HAS BEEN MADE BY THE ARCHITECT, WITH APPROPRIATE INSTRUCTIONS FOR RESOLUTION OF THE ISSUE. FAILURE TO REPORT KNOWN DISCREPANCIES AND CONTINUING WITH THE WORK WITHOUT NOTIFYING THE ARCHITECT SHALL RESULT IN AN ASSUMPTION OF RESPONSIBILITY FOR CORRECTIVE WORK TO ACHIEVE THE INTENDED DESIGN.

LARRY TRUMBATURI		WILLIAM 504-331-4676	
8307 LAFITTE CT. CHALMETTE, LA 70043		212 WARRINGTON DRIVE	
504-279-3508	JOB NO 7780	DATE 2-17-22	SHEET NO 1 OF 6

WIND BORNE DEBRIS PROTECTION

WINDOWS IN BUILDING LOCATED IN WIND BORNE DEBRIS REGIONS SHALL HAVE GLAZED OPENINGS PROTECTED FROM WIND BORNE DEBRIS. WOOD STRUCTURAL PANELS WITH A MIN. THICKNESS OF 7" AND A MAX. SPAN OF 8 FEET SHALL BE PERMITTED FOR OPENING PROTECTION IN ONE AND TWO STORY BUILDINGS. PANELS SHALL BE PRECUT TO COVER THE GLAZED OPENINGS WITH ATTACHMENT HARDWARE PROVIDED.

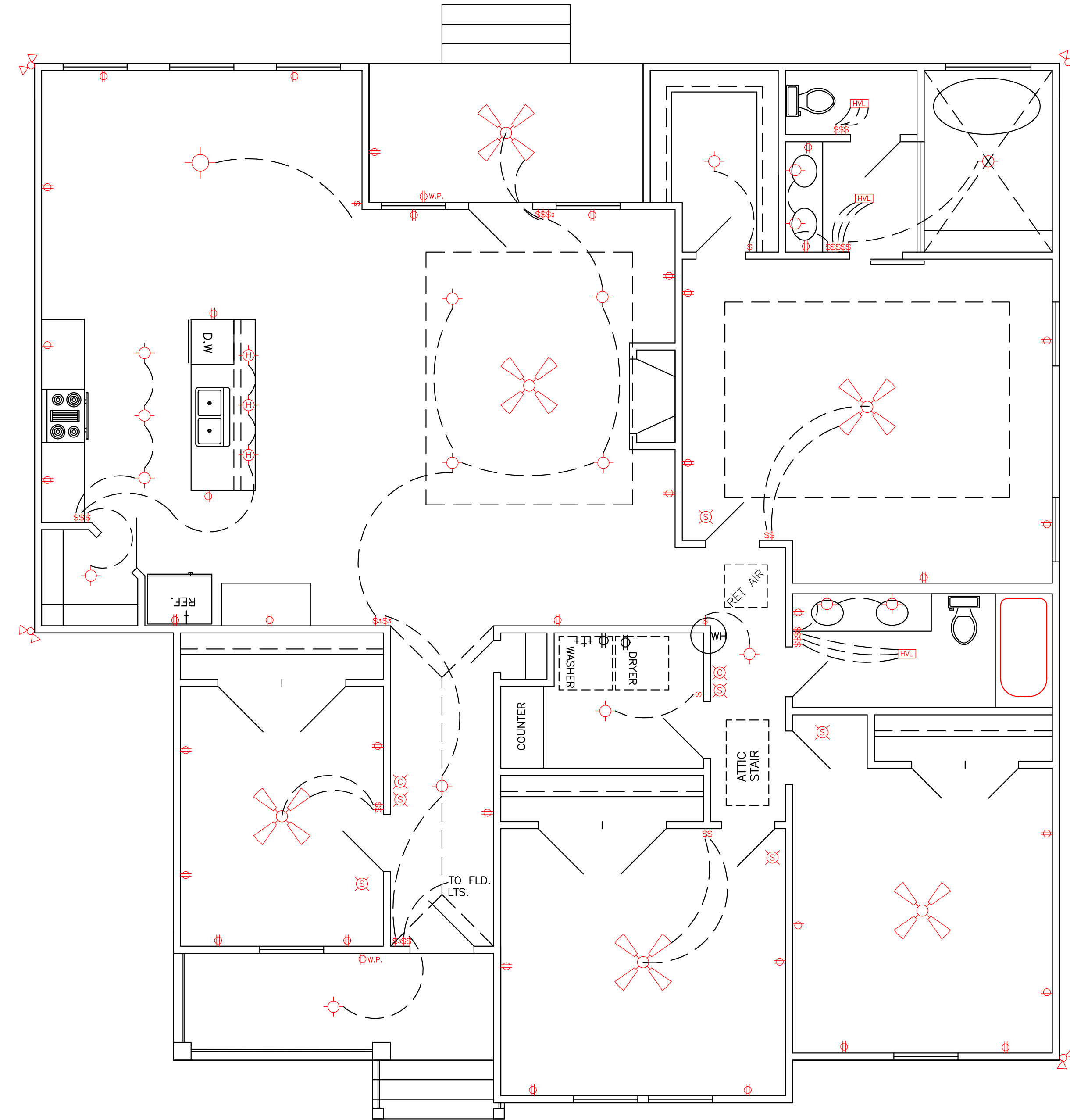
CODE COMPLIANCE:

WIND SPEED 130 MPH.

1. THE 2015 INTERNATIONAL RESIDENTIAL CODE.
2. WOOD FRAME CONSTRUCTION MANUAL FOR ONE AND TWO FAMILY DWELLINGS. (WFCM).
3. INTERNATIONAL CODE COUNCIL (ICC) STANDARD FOR RESIDENTIAL CONSTRUCTION IN HIGH WIND REGIONS (ICC600).

ELECTRICAL NOTES

1. AFCI PROTECTION SHALL BE PROVIDED FOR DINING ROOMS, FAMILY ROOMS, LIVING ROOMS, HALLWAYS, CLOSETS, BEDROOMS, ETC.
2. SMOKE DETECTORS: (A) SHALL BE INSTALLED IN EACH SLEEPING ROOM. (B) SHALL BE INSTALLED OUTSIDE, IN THE VICINITY OF EACH SLEEPING ROOM. (C) SHALL BE 120 VOLT, HARDWIRED, INTERCONNECTED, WITH A BATTERY BACKUP. (D) SHALL NOT BE INSTALLED WITHIN 36 INCHES OF A RETURN AIR GRILLE OR ANY PADDLE FAN BLADE.
3. KITCHEN: (A) ALL RECEPTACLES OVER COUNTERTOP SHALL BE GFI PROTECTED REGARDLESS OF DISTANCE FROM THE SINK. (B) THE DISHWASHER SHALL BE CONNECTED BY MEANS OF AN APPLIANCE CORD TO A RECEPTACLE UNDER THE SINK. THE RECEPTACLE WILL NOT BE GFI PROTECTED.
4. BATHROOMS: (A) ALL RECEPTACLES SHALL BE GFI PROTECTED. (B) LIGHTS OVER BATHTUBS SHALL HAVE COVERS THAT ARE LISTED FOR "DAMP LOCATION" (C) LIGHTS OVER SHOWERS SHALL HAVE COVERS LISTED FOR "WET LOCATION."
5. EXTERIOR RECEPTACLES SHALL ALL BE GFI PROTECTED AND SHALL HAVE WEATHERPROOF COVERS.
6. A RECEPTACLE (NOT SHOWN ON THE PLAN) WILL BE INSTALLED ON THE EXTERIOR WALL WITHIN 25 FEET OF THE AIR CONDITIONING EQUIPMENT.



ELECTRICAL PLAN
SCALE: 1/4" = 1'-0"

LEGEND	
	CEILING FAN
	RECESSED LIGHTS
	WALL SWITCH 15A., 120V., SINGLE POLE SINGLE THROW, MOUNT AT 60" AFF
	3 WAY WALL SWITCH 15A., 120V. MOUNT AT 60" AFF
	CEILING LIGHT INCANDESCENT, 2-60 WATT
	VENT/LIGHT FIXTURE
	CARBON MONOXIDE DETECTOR
	110 VOLT WATER PROOF OUTLET
	FLOOD LIGHTS
	110 VOLT SMOKE DETECTOR
	110 VOLT OUTLET
	HANGING LIGHT FIXTURE

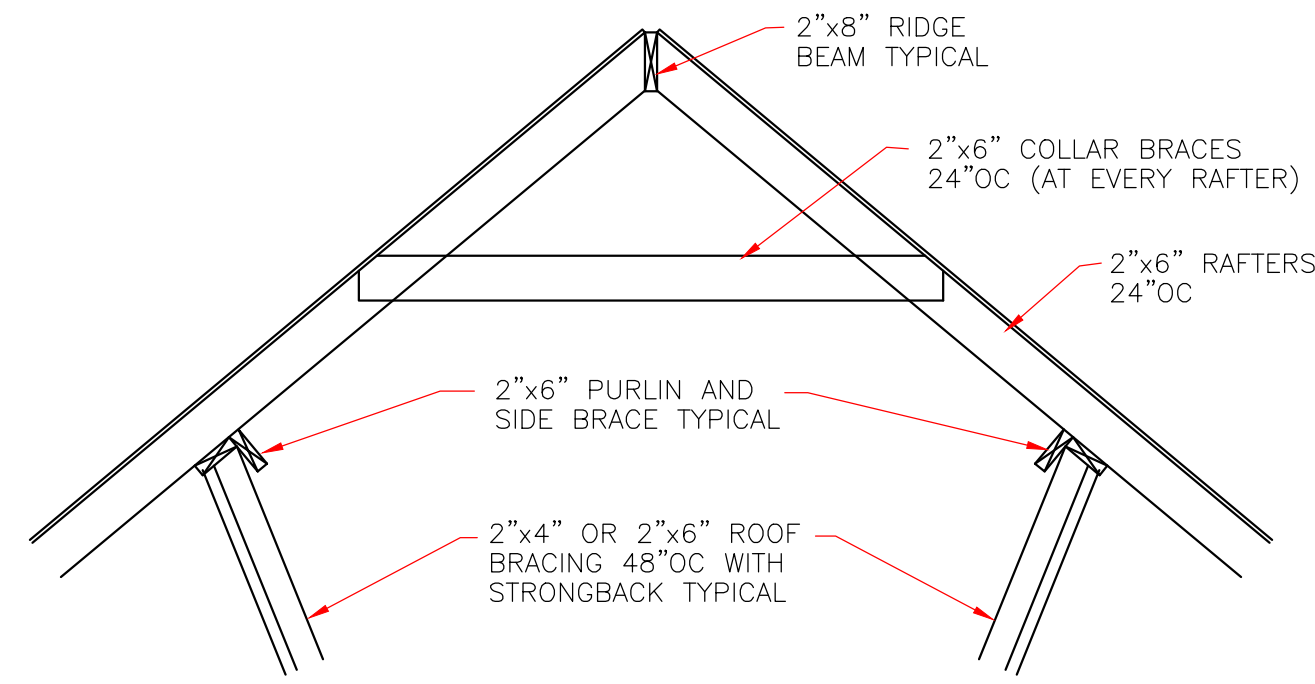
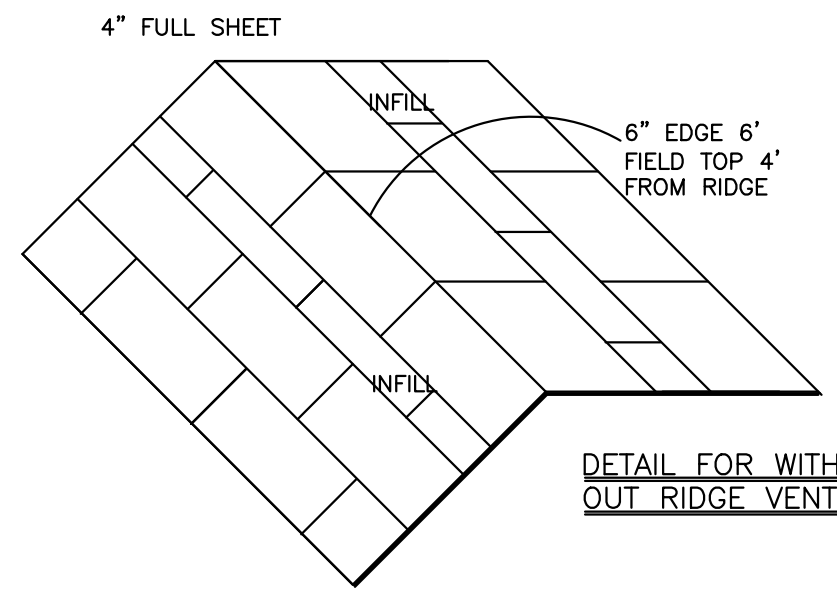
THESE PLANS HAVE BEEN PROPERLY EXAMINED BY THE UNDERSIGNED. I HAVE DETERMINED THAT THEY COMPLY WITH THE FOLLOWING EXISTING STATE AND LOCAL BUILDING CODES FOR THE JURISDICTION IN WHICH THE RESIDENCE IS TO BE LOCATED. **REVISED DATE: 9-27-22**

IN THE EVENT THAT A DIMENSIONAL DISCREPANCY IN THE DRAWINGS IS DISCOVERED BY THE GENERAL CONTRACTOR, SUBCONTRACTORS, ENGINEER, CONSULTANT, OR A SUPPLIER, SAID PARTY SHALL IMMEDIATELY NOTIFY THE ARCHITECT AND SUSPEND ALL ASSOCIATED WORK UNTIL SUCH TIME THAT A PROPER DETERMINATION HAS BEEN MADE BY THE ARCHITECT, WITH APPROPRIATE INSTRUCTIONS FOR RESOLUTION OF THE ISSUE. FAILURE TO REPORT KNOWN DISCREPANCIES AND CONTINUING WITH THE WORK WITHOUT NOTIFYING THE ARCHITECT SHALL RESULT IN AN ASSUMPTION OF RESPONSIBILITY FOR CORRECTIVE WORK TO ACHIEVE THE INTENDED DESIGN.

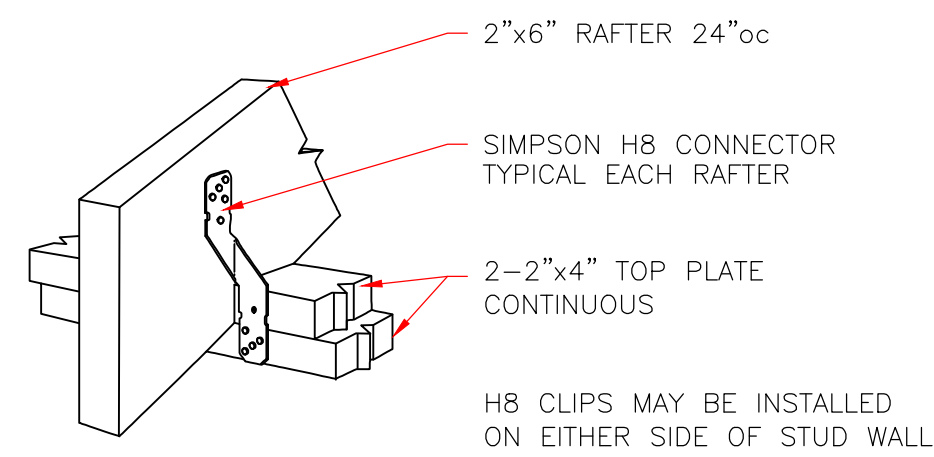
LARRY TRUMBATURI 8307 LAFITTE CT. CHALMETTE, LA 70043 504-279-3508		WILLIAM 504-331-4676 212 WARRINGTON DRIVE	
		DATE 2-17-22	SHEET NO 5 OF 6

WIND BORNE DEBRIS PROTECTION

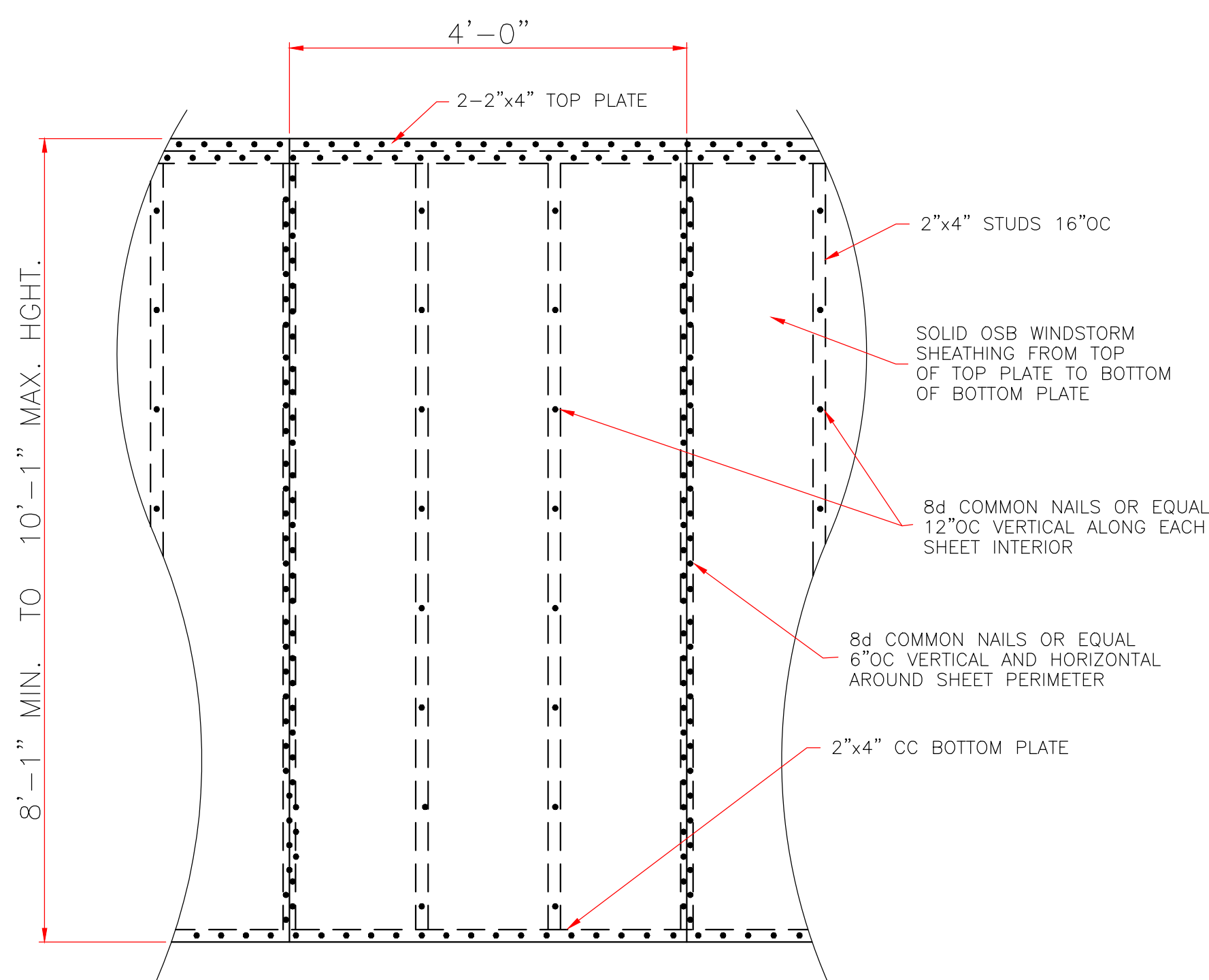
WINDOWS IN BUILDING LOCATED IN WIND BORNE DEBRIS REGIONS SHALL HAVE GLAZED OPENINGS PROTECTED FROM WIND BORNE DEBRIS. WOOD STRUCTURAL PANELS WITH A MIN. THICKNESS OF 1/2" AND A MAX. SPAN OF 8 FEET SHALL BE PERMITTED FOR OPENING PROTECTION IN ONE AND TWO STORY BUILDINGS. PANELS SHALL BE PRECUT TO COVER THE GLAZED OPENINGS WITH ATTACHMENT HARDWARE PROVIDED.



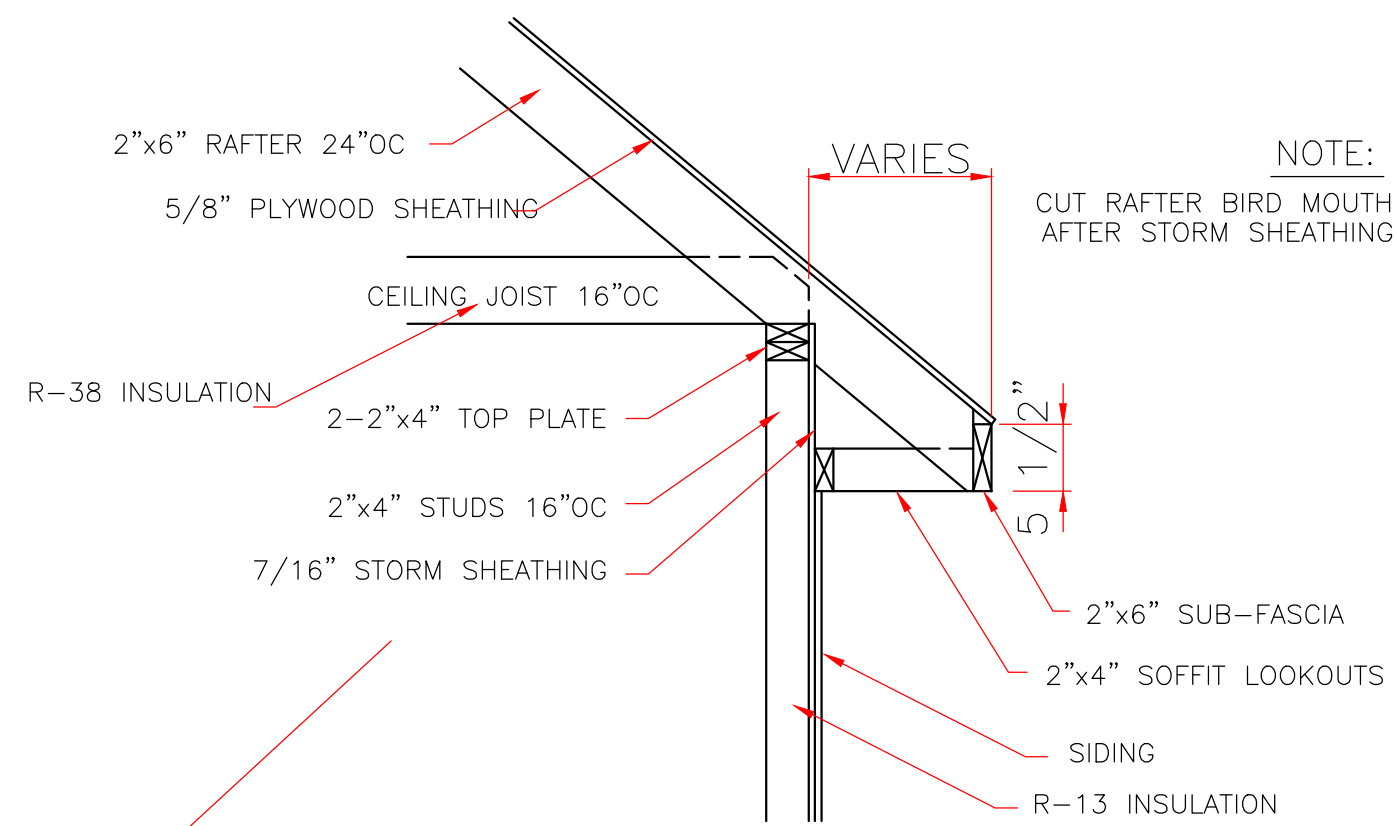
TYPICAL ROOF BRACING DETAIL
NOT TO SCALE



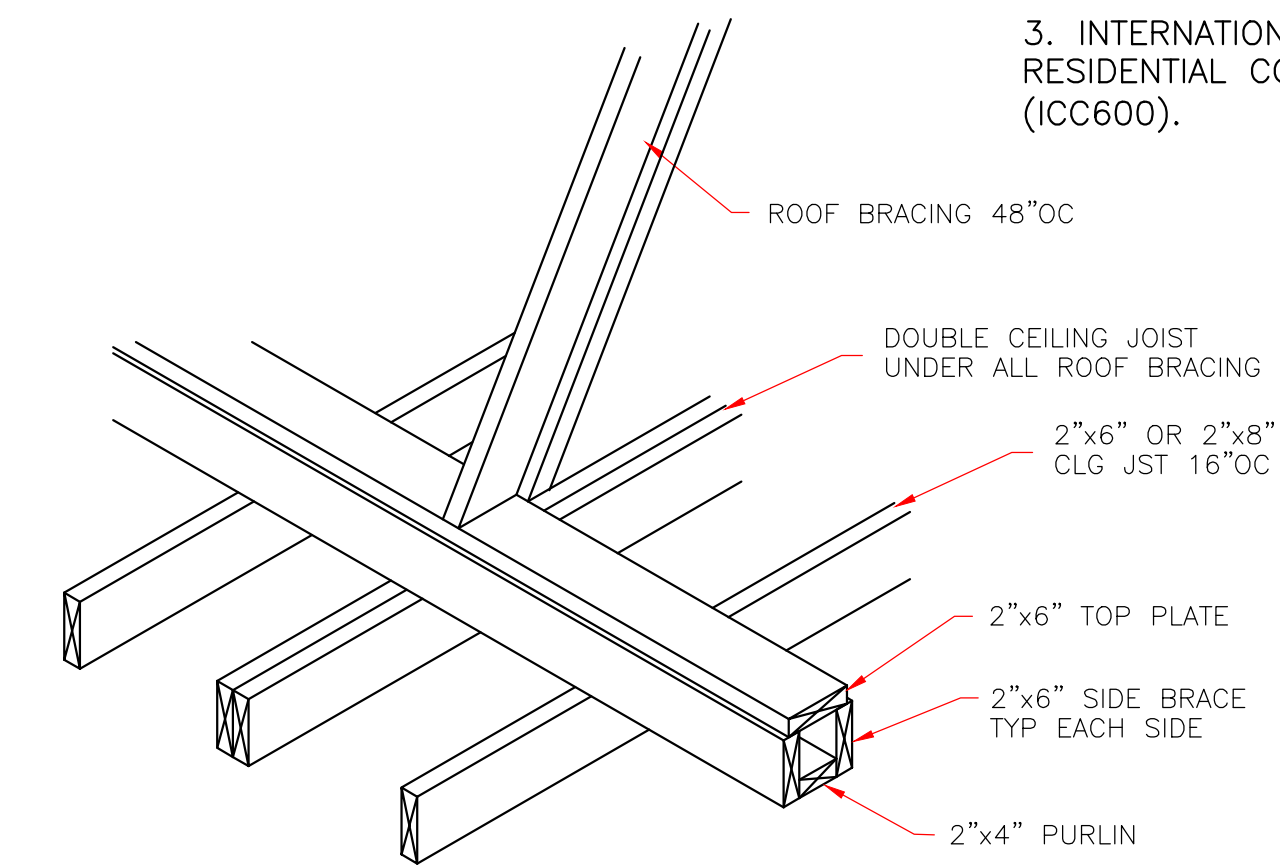
RAFTER TO TOP PLATES
NOT TO SCALE



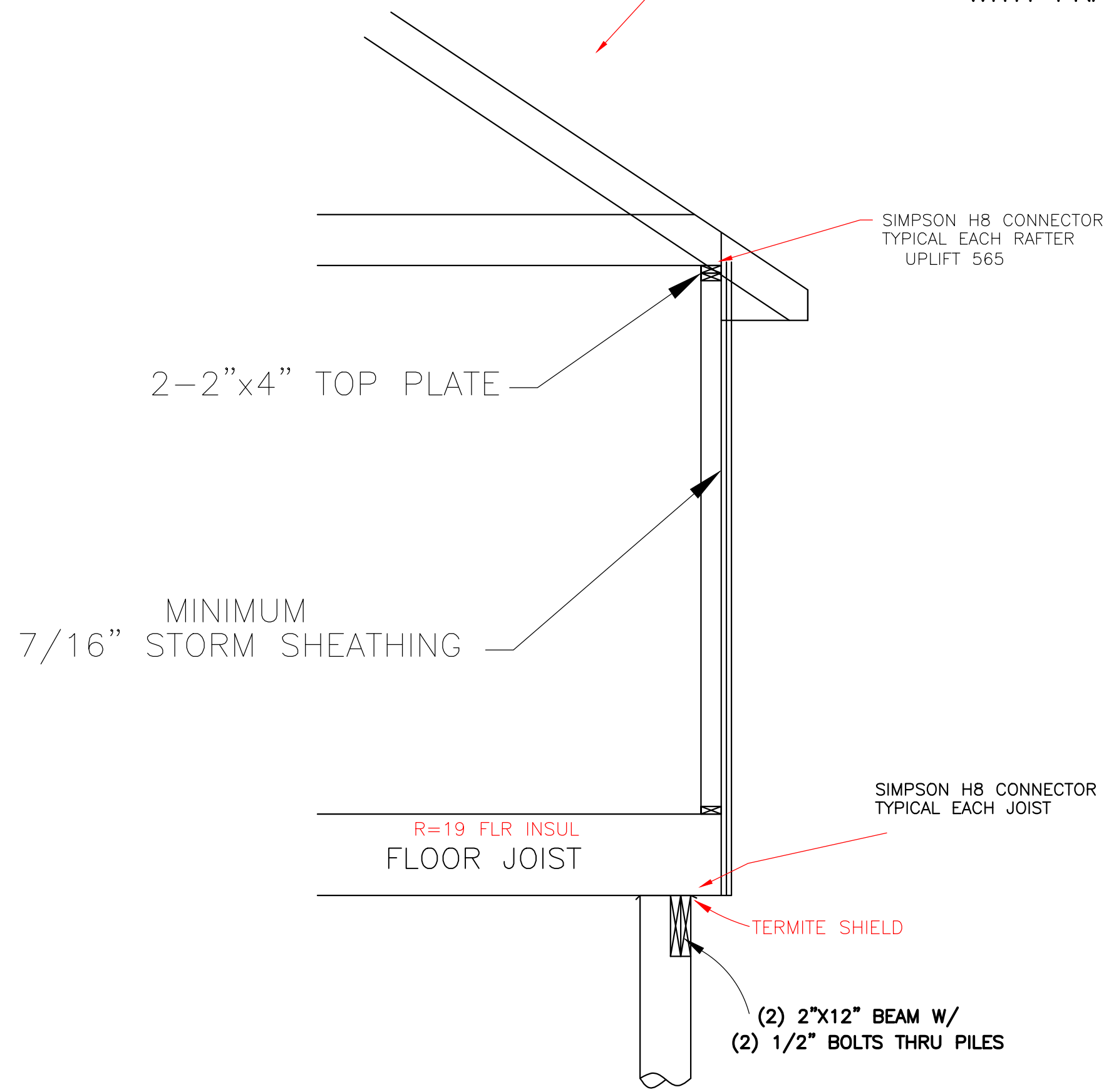
7/16" STORM SHEATHING
TYPICAL ALL EXTERIOR WALLS
SCALE: 3/4" = 1'-0"



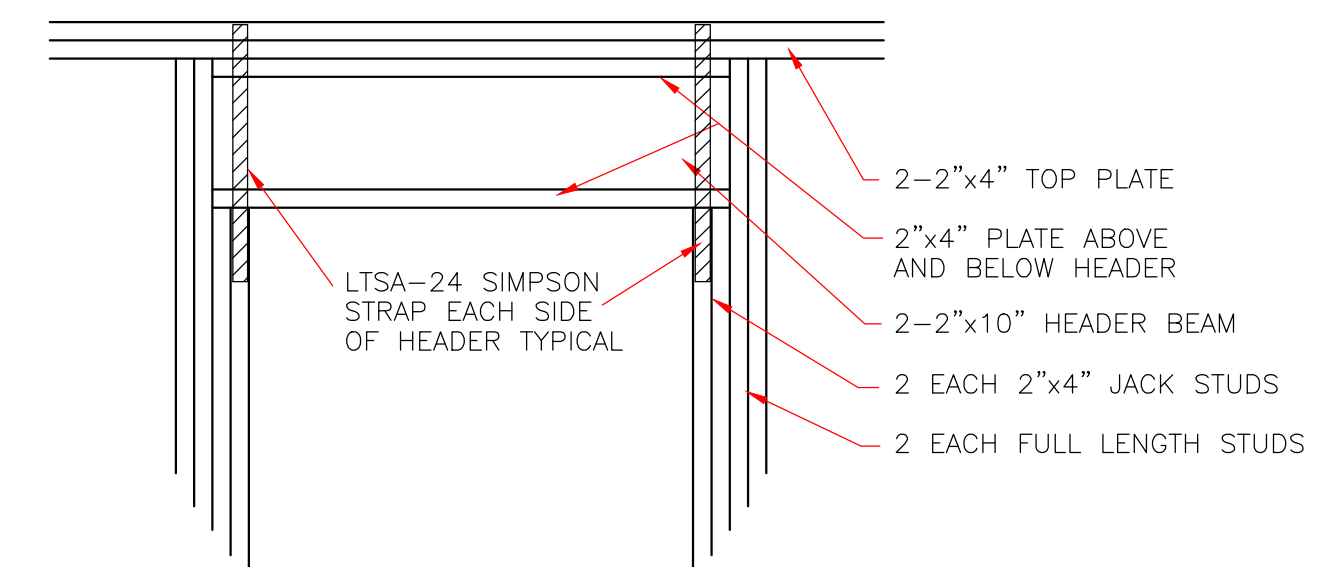
ROOF SOFFIT DETAIL
SCALE: 3/4" = 1'-0"
WITH FRAME CONSTRUCTION



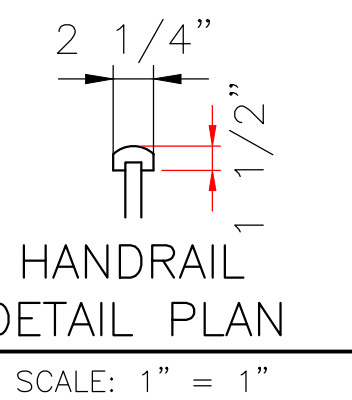
STRONGBACK DETAIL
FOR 2"x6" OR 2"x8" JOIST
NOT TO SCALE



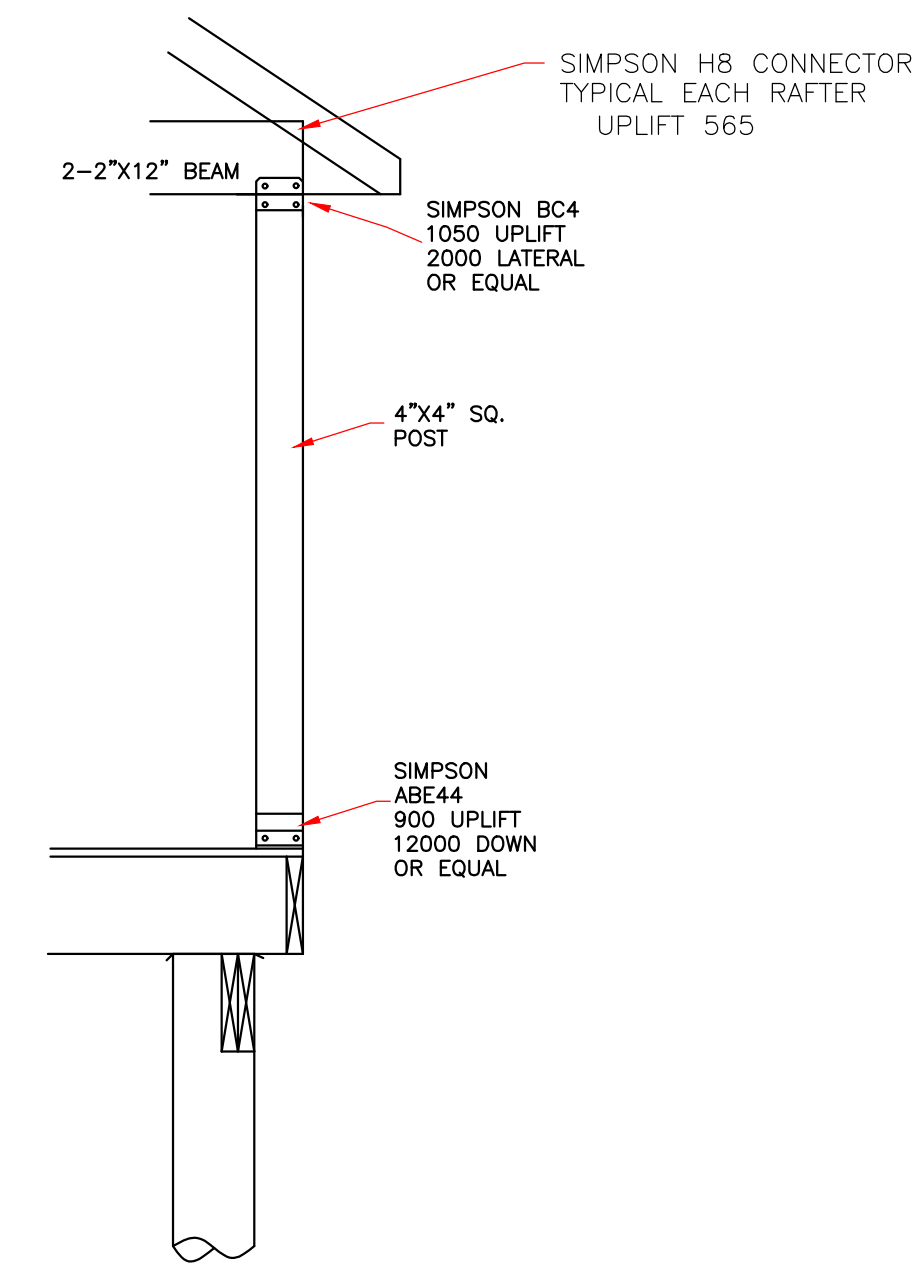
CONTINUOUS LOAD PATH
1/2" SCALE



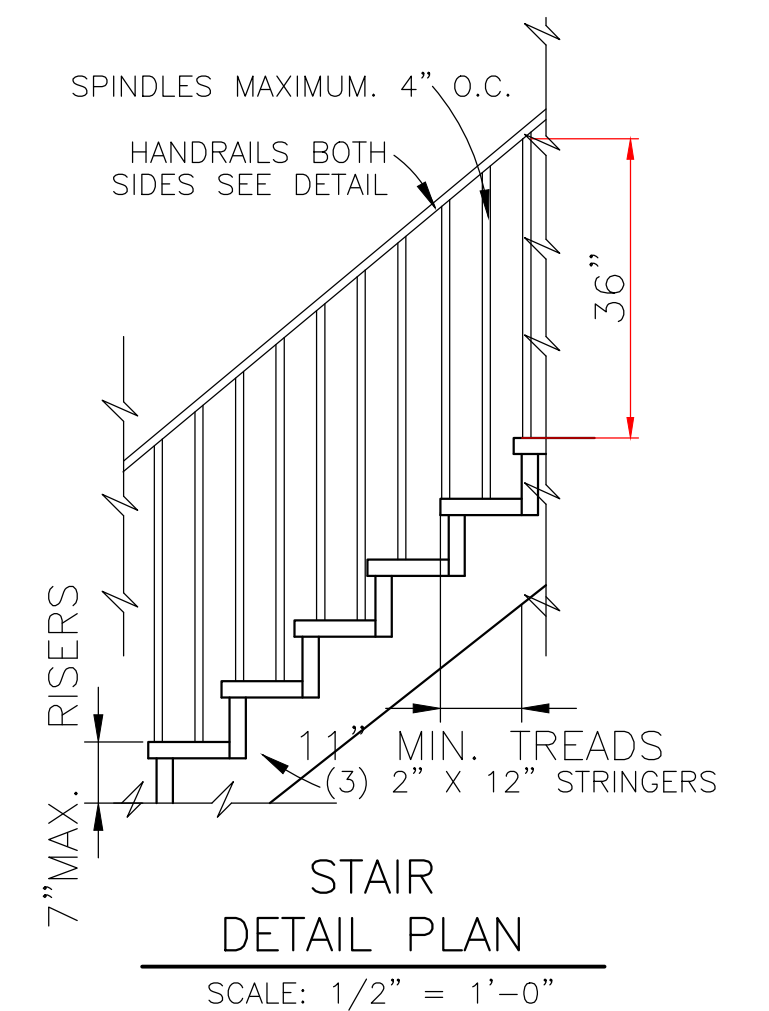
TYPICAL EXTERIOR DOOR
OR WINDOW HEADER
SCALE: 3/4" = 1'-0"



HANDRAIL
DETAIL PLAN
SCALE: 1" = 1"



COLUMN DETAIL
NOT TO SCALE



STAIR
DETAIL PLAN
SCALE: 1/2" = 1'-0"

CODE COMPLIANCE:

WIND SPEED 130 MPH.

1. THE 2012 INTERNATIONAL RESIDENTIAL CODE.
2. WOOD FRAME CONSTRUCTION MANUAL FOR ONE AND TWO FAMILY DWELLINGS. (WFCM).
3. INTERNATIONAL CODE COUNCIL (ICC) STANDARD FOR RESIDENTIAL CONSTRUCTION IN HIGH WIND REGIONS (ICC600).

THESE PLANS HAVE BEEN PROPERLY EXAMINED BY THE UNDERSIGNED. I HAVE DETERMINED THAT THEY COMPLY WITH THE FOLLOWING EXISTING STATE AND LOCAL BUILDING CODES FOR THE JURISDICTION IN WHICH THE RESIDENCE IS TO BE LOCATED. REVISED DATE: 9-27-22

LARRY TRUMBATURI		WILLIAM 504-331-4676	
8307 LAFITTE CT. CHALMETTE, LA 70043		212 WARRINGTON DRIVE	
DATE	SHEET NO	DATE	SHEET NO
504-279-3508	JOB NO 7780	2-17-22	6 OF 6

IN THE EVENT THAT A DIMENSIONAL DISCREPANCY IN THE DRAWINGS IS DISCOVERED BY THE GENERAL CONTRACTOR, SUBCONTRACTORS, ENGINEER, CONSULTANT, OR A SUPPLIER, SAID PARTY SHALL IMMEDIATELY NOTIFY THE ARCHITECT AND SUSPEND ALL ASSOCIATED WORK UNTIL SUCH TIME THAT A PROPER DETERMINATION HAS BEEN MADE BY THE ARCHITECT, WITH APPROPRIATE INSTRUCTIONS FOR RESOLUTION OF THE ISSUE. FAILURE TO REPORT KNOWN DISCREPANCIES AND CONTINUING WITH THE WORK WITHOUT NOTIFYING THE ARCHITECT SHALL RESULT IN AN ASSUMPTION OF RESPONSIBILITY FOR CORRECTIVE WORK TO ACHIEVE THE INTENDED DESIGN.