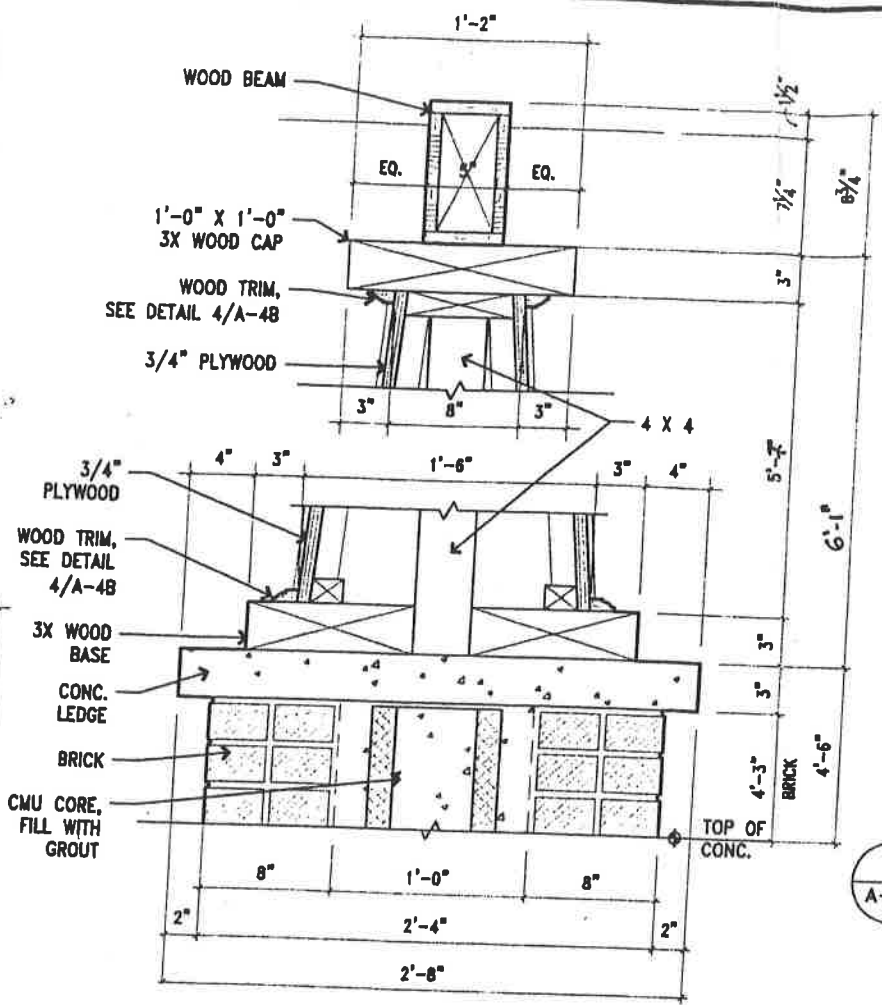
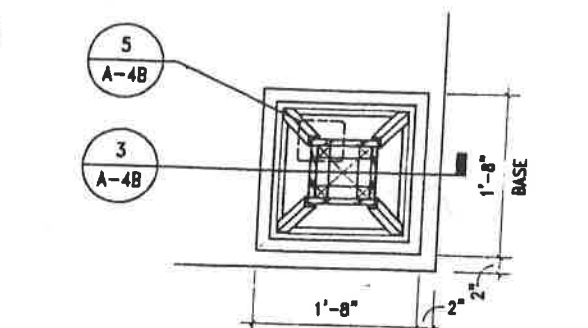


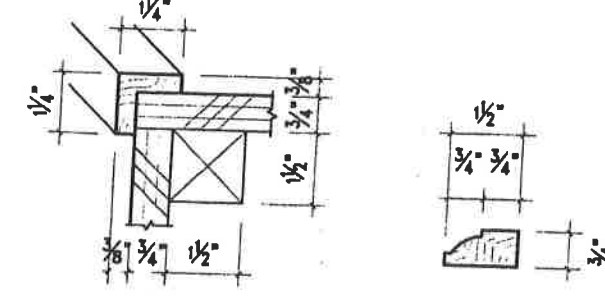
8 COL. PLAN DETAIL
1" = 1'-0" OPTION B



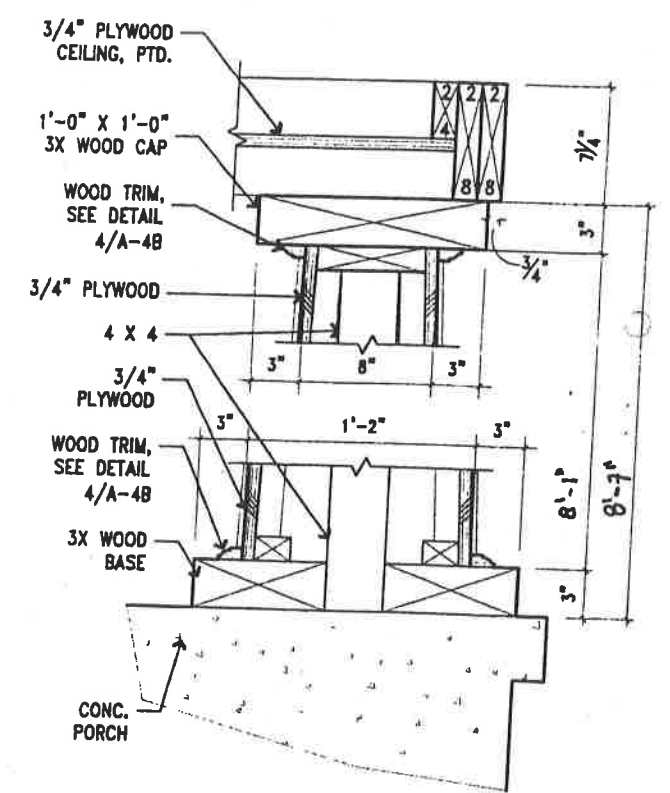
5 WOOD COL. DETAIL
3" = 1'-0"



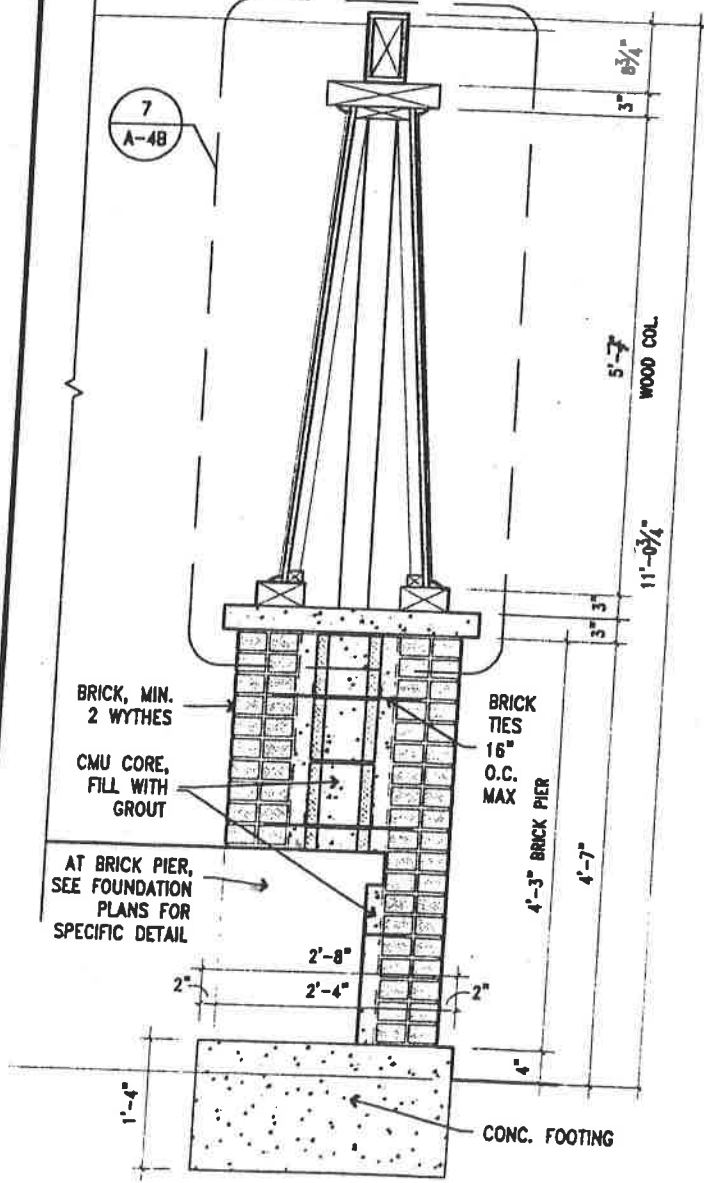
6 COLUMN PLAN DETAIL
1" = 1'-0" OPTION B



4 TRIM DETAIL
1" = 1'-0"



3 SIDE PORCH COL. DETAIL
1" = 1'-0" OPTION B



2 ENLARGED ELEVATION - OPT
1/2" = 1'-0"