

FINISH LEGEND								
MARK	MATERIAL	LOCATION	MANUFACTURE	MODEL	COLOR	DIMENSIONS	COMMENTS	PROVIDED BY
P-1	PAINT	BATHROOM 100	SHERWIN-WILLIAMS	SW-9541	WHITE SNOW	TBD	SEE ELEVATIONS FOR EXTENTS, PATTERN	GC
ST-1	SOAPSTONE COUNTERTOP	KITCHEN	TBD	TBD	TBD	TBD	COUNTERTOP FOR KITCHEN	GC
TB-1	TILE WALL BASE	BATHROOM 100	TBD	TBD	TBD	TBD	SEE ELEVATIONS FOR EXTENTS, PATTERN	GC
TL-1	WALL TILE	KITCHEN	TBD	TBD	TBD	TBD	SEE ELEVATIONS FOR EXTENTS, PATTERN	GC
TL-2	WALL TILE	BATHROOM 100	TBD	TBD	TBD	TBD	SEE ELEVATIONS FOR EXTENTS, PATTERN	GC
TL-3	WALL TILE	PRIMARY BATH WALL, ACCENT TILE	TBD	TBD	TBD	TBD	SEE ELEVATIONS FOR EXTENTS, PATTERN	GC
TL-4	FLOOR TILE	BATHROOM 100	TBD	TBD	TBD	TBD	SEE FINISH FLOOR PLAN FOR EXTENTS	GC
TL-5	WALL TILE	PRIMARY BATH WALL	TBD	TBD	TBD	TBD	SEE ELEVATIONS FOR EXTENTS, PATTERN	GC
TL-6	FLOOR TILE	PRIMARY BATH WALL	TBD	TBD	TBD	TBD	SEE FINISH FLOOR PLAN FOR EXTENTS	GC
WC-1	WALLCOVERING	BATHROOM 100	TBD	TBD	TBD	TBD	SEE ELEVATIONS FOR EXTENTS, PATTERN	GC
WD-1	WHITE OAK WOOD FLOOR	THROUGH OUT PROJECT	TBD	TBD	TBD	TBD	SEE FINISH FLOOR PLAN FOR EXTENTS	GC
WD-2	BUTCHER BLOCK COUNTERTOP	KITCHEN	TBD	TBD	TBD	TBD	COUNTERTOP FOR KITCHEN	GC

ROOM TAG LEGEND

ROOM NAME
ROOM NUMBER
WALL BASE
FLOOR FINISH
WALL FINISH
CEILING FINISH

PLUMBING FIXTURE SCHEDULE					
MARK	COUNT	DESCRIPTION	BASIS OF DESIGN	FINISH	COMMENTS
P1	2	TOILET	CORBELLE COMFORT HEIGHT, K-314-RA-0	WHITE	
P2	1	SHOWER PAN	SCHLUTER KERDI SHOWER-R	N/A	PRIMARY BATH
P3	1	LINEAR DRAIN	SCHLUTER KERDI-LINE-V 50 G2		PRIMARY BATH
P4	1	Stately Rite-Temp shower valve trim with lever handles and 2.5 gpm showerhead	KOHLER	VIBRANT BRUSHED BRONZE	PRIMARY BATH
P5	2	LAVATORY FAUCET, PRIMARY			PRIMARY BATH
P6	1	PRIMARY BATH COUNTERTOP			
P7	2	Washing Pool 16.5inch round bathroom sink			PRIMARY BATH
P9	1	SHOWER			BATHROOM 100
P10	1	KITCHEN SINK (30")			KITCHEN
P11	1	LAVATORY FAUCET, BATH 100			BATHROOM 100
P12	1	LAVATORY SINK, BATH 100	Monterey Floating Vanity	TEAK	BATHROOM 100

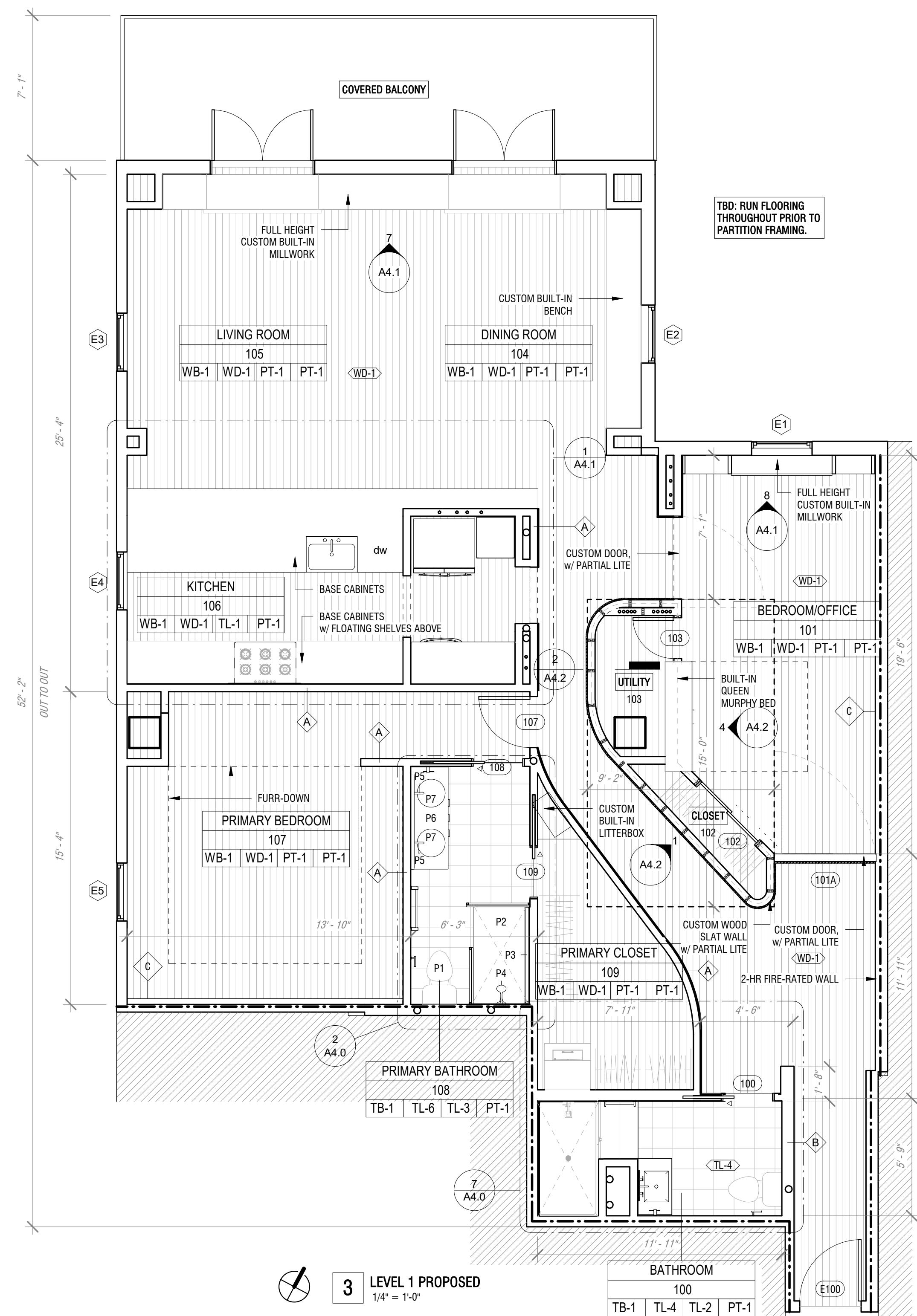
APPLIANCE SCHEDULE					
MARK	COUNT	DESCRIPTION	BASIS OF DESIGN	FINISH	COMMENTS
E1	1	REFRIGERATOR			
E2	1	COOKTOP			
E3	1	STACKED WASHER, DRYER			
E4	1	WINE COOLER			
E5	1	DISHWASHER			
E6	1	RANGE HOOD			
E7	1	MICROWAVE			
E8	1	OVEN			

PLUMBING ACCESSORY SCHEDULE					
MARK	COUNT	DESCRIPTION	BASIS OF DESIGN	FINISH	PROVIDED BY
A1	2	TOILET PAPER DISPENSER	Delta - Trinsic 75950-BL	STAINLESS	OWNER
A2	2	HAND TOWEL HANGER	Delta - Trinsic 759460-BL	STAINLESS	OWNER
A3	1	RECTANGULAR MIRROR	Ikea LINDBYN	BLACK FRAME	OWNER
A5	2	DOUBLE TOWEL ROD	Delta - Trinsic 75925-BL	STAINLESS	OWNER
A6	2	SHORT TOWEL BAR (1'-6")			

CABINET SCHEDULE										
TYPE MARK	TYPE	MANUFACTURE	DESCRIPTION	DOOR STYLE	FINISH	HARDWARE MANUFACTURER	HARDWARE MODEL	HARDWARE FINISH	PROVIDED BY	
CB-1	BASE CABINET - KITCHEN SINK									
CB-2	BASE CABINET									
CB-3	BASE CABINET									
CB-4	BASE CABINET									
CB-5	PRIMARY BATH VANITY 60"	KOHLER Co.	Wall Hung Cabinet		Kohler-Wood-1WA-Linen White					

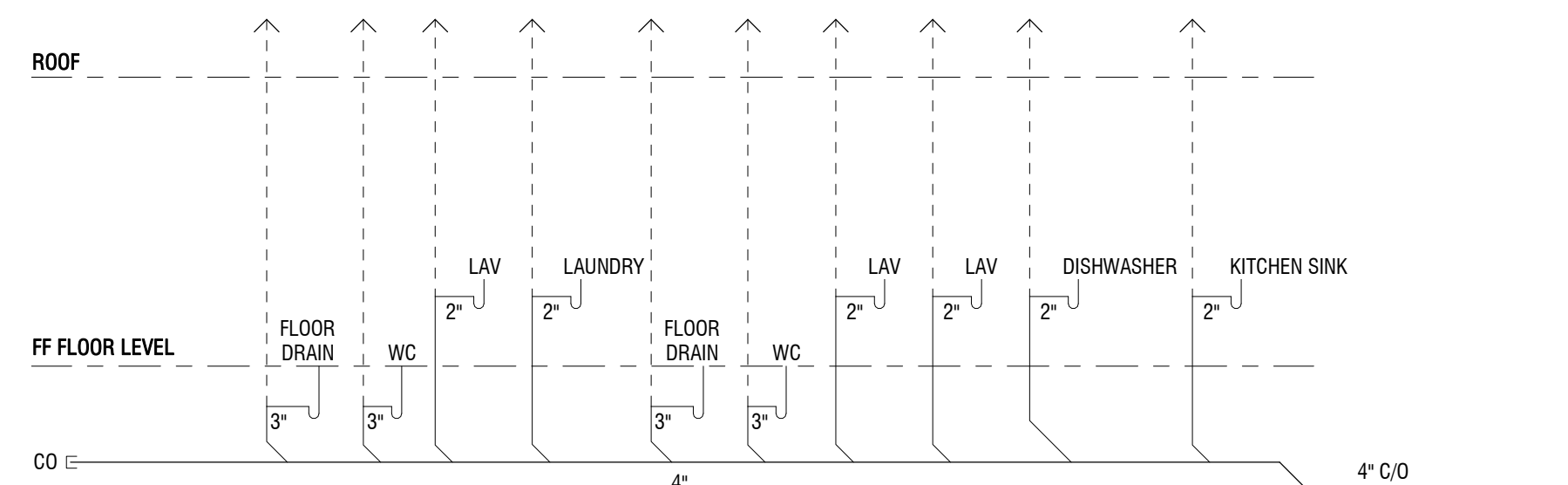
DOOR SCHEDULE								
MARK	DOOR TYPE	SIZE WIDTH	HEIGHT	HARDWARE	DESCRIPTION	OPERATION	GLAZING	COMMENTS
100	D	2'-6"	6'-8"	3	HOLLOW CORE W/ ACOUSTIC INFILL	POCKET	NONE	
101A	E	3'-0"	7'-0"	2	CUSTOM DOOR	SWING	UPPER LITE	CUSTOM WOOD AND GLASS DOOR
102	C	4'-0"	5'-10"	2		SLIDING DOUBLE	NONE	
103	B	2'-0"	5'-11"	2	HOLLOW CORE W/ ACOUSTIC INFILL	SWING	NONE	
104	A	4'-11 1/4"	6'-9"	1	EXTERIOR HINGED FRENCH PATIO DOOR	SWING	FULL GLAZING	REPAIR EXISTING, REFINISH, PAINT BLACK ON INTERIOR & REPLACE HARDWARE
105	A	4'-11 1/4"	6'-9"	1	EXTERIOR HINGED FRENCH PATIO DOOR	SWING	FULL GLAZING	REPAIR EXISTING, REFINISH, PAINT BLACK ON INTERIOR & REPLACE HARDWARE
107	B	2'-6"	6'-8"	2	HOLLOW CORE W/ ACOUSTIC INFILL	SWING	NONE	
108	D	2'-6"	6'-8"	3	HOLLOW CORE W/ ACOUSTIC INFILL	POCKET	NONE	
109	D	2'-6"	6'-8"	2	HOLLOW CORE W/ ACOUSTIC INFILL	POCKET	NONE	
CO-01	F	2'-9"	8'-0"	N/A	CASED OPENING	CASED OPENING	NONE	
CO-02	F	3'-0"	8'-0"	N/A	CASED OPENING	CASED OPENING	NONE	

HARDWARE SCHEDULE							
TYPE	HARDWARE SERIES	MODEL	FINISH	CLOSER	DEADBOLT	HINGE	
1	PELLA CONTEMPORARY RESERVE, B.O.D.	KEYLOCK w/ K-KEYWAY CYLINDER	CHROME	PRIVACY LATCH & KNOB	NO	N/A	
2	RICHELIEU, B.O.D.	PRIVACY FLUSH PULL	CHROME	PASSAGE LATCH & PULL	NO	N/A	
3	RICHELIEU, B.O.D.	PELLA MODERN COLLECTION	CHROME	PRIVACY LATCH & KNOB	YES	N/A	



3 LEVEL 1 PROPOSED  
1/4" = 1'-0"

APPROVED  
maevans , 10/5/2022 , 12:30:50 PM

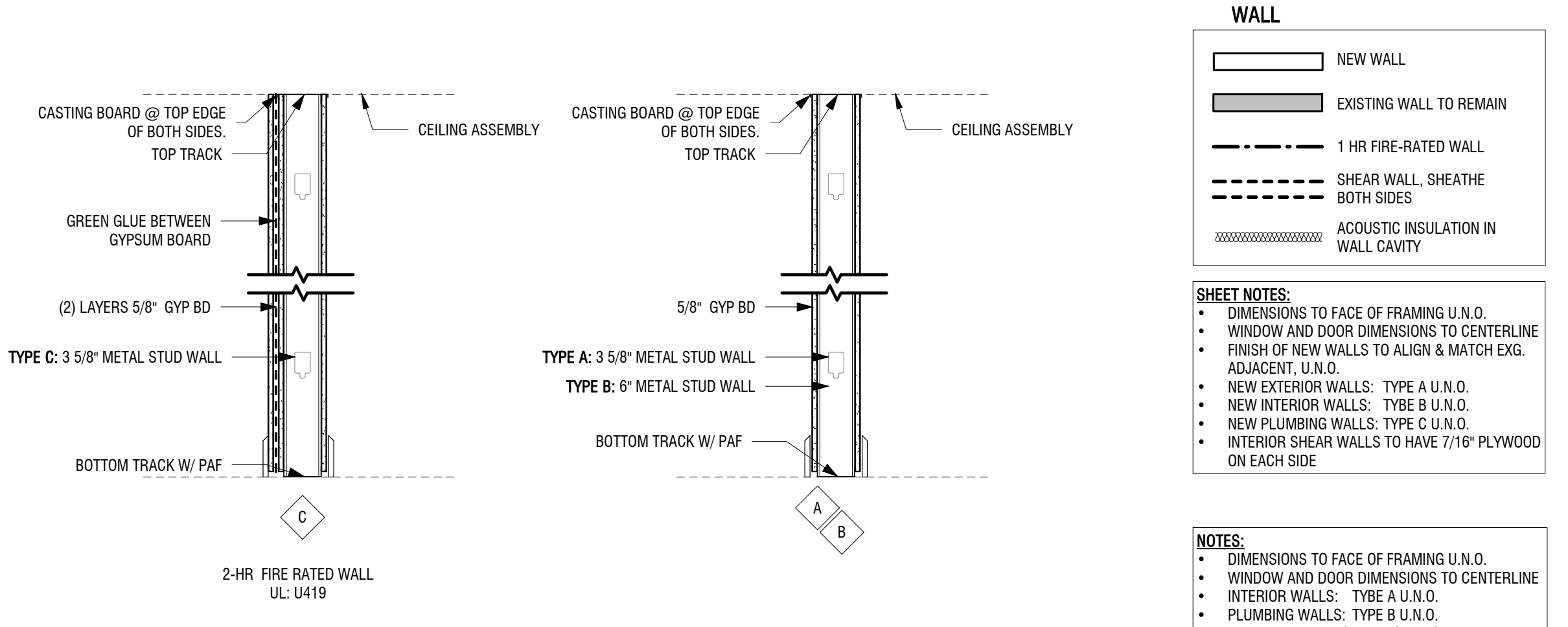


NOTE: PROVIDE WASTE & VENT LINES AS REQUIRED. PIPE & VENT SIZES ARE DIAGRAMMATIC. FINAL SIZING & COORDINATION TO BE PERFORMED DESIGN/BUILD IN FIELD.

HW & CW SUPPLY ROUTING & SIZE TO BE PERFORMED DESIGN/BUILD IN FIELD

ALL PLUMBING TO UTILIZE EXISTING VENT AND SUPPLY LINES.

2 PLUMBING RISER DIAGRAM  
1" = 1'-0"



**WALL**

- NEW WALL
- EXISTING WALL TO REMAIN
- 1 HR FIRE-RATED WALL
- SHEAR WALL, SHEATH BOTH SIDES
- ACOUSTIC INSULATION IN WALL CAVITY

**SHEET NOTES:**

- DIMENSIONS TO FACE OF FRAMING U.N.O.
- WINDOW AND DOOR DIMENSIONS TO CENTERLINE
- FINISH OF NEW WALLS TO ALIGN & MATCH EXG. ADJACENT, U.N.O.
- NEW EXTERIOR WALLS: TYPE A U.N.O.
- NEW INTERIOR WALLS: TYPE B U.N.O.
- NEW PLUMBING WALLS: TYPE C U.N.O.
- INTERIOR SHEAR WALLS TO HAVE 7/16\"/>

**NOTES:**

- DIMENSIONS TO FACE OF FRAMING U.N.O.
- WINDOW AND DOOR DIMENSIONS TO CENTERLINE
- INTERIOR WALLS: TYPE A U.N.O.
- PLUMBING WALLS: TYPE B U.N.O.
- FIRE-RATED WALLS: TYPE C U.N.O.

1 WALL TYPE A  
1" = 1'-0"

Morgan Street

203-330 Morgan St  
New Orleans, LA 70114



PERMIT  
RELEASE SET

09/13/2022  
drawn by: CM  
checked by: SW

revisions:

A2.1  
FIRST FLOOR PLAN