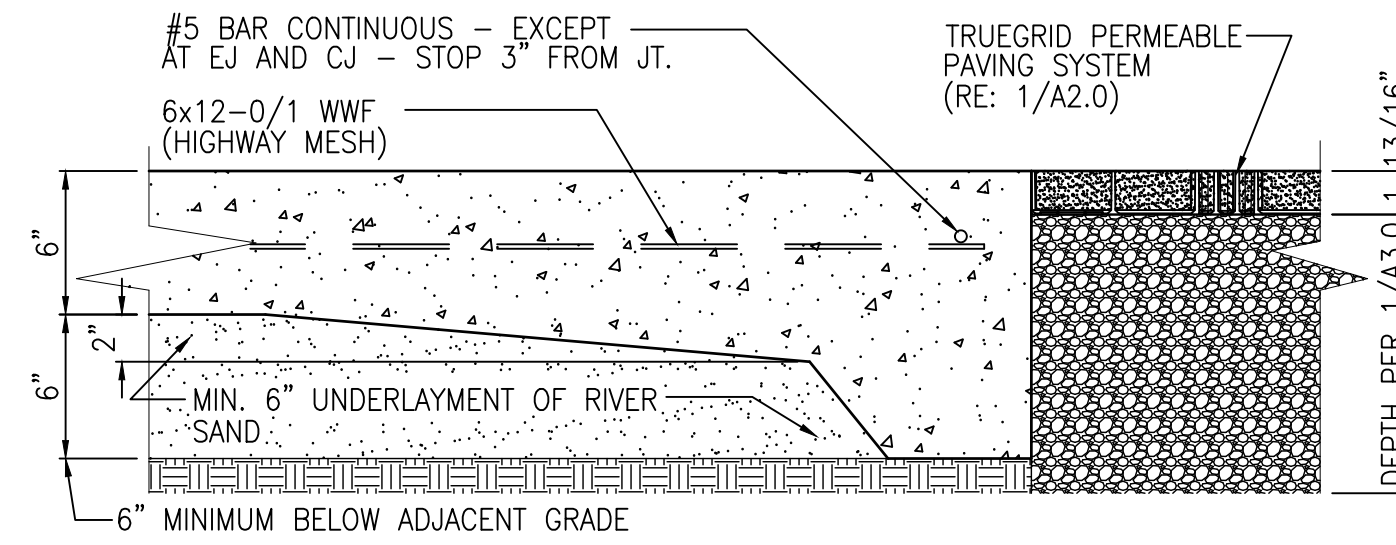
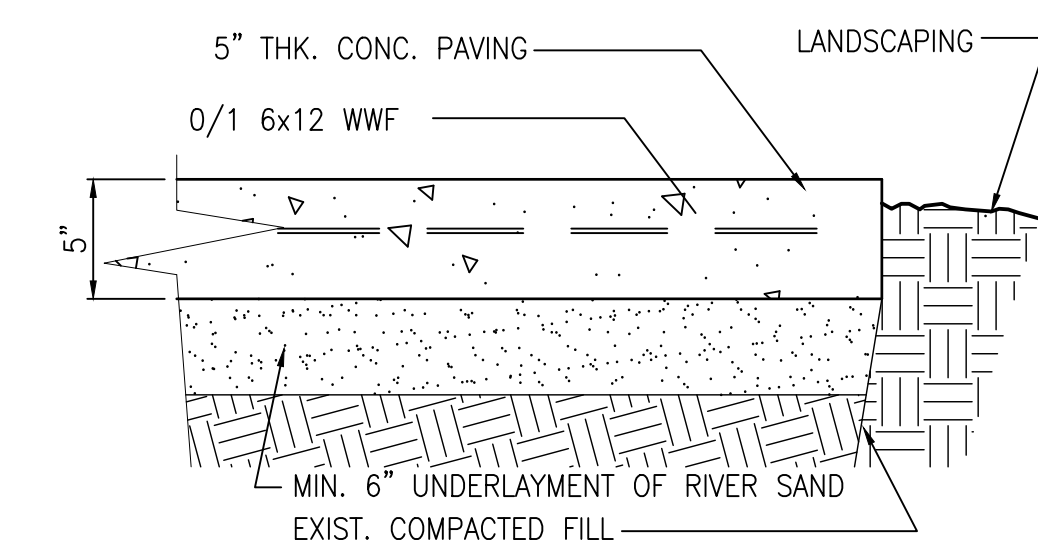


1 CURB DETAIL
SCALE: 1 1/2"=1'-0"

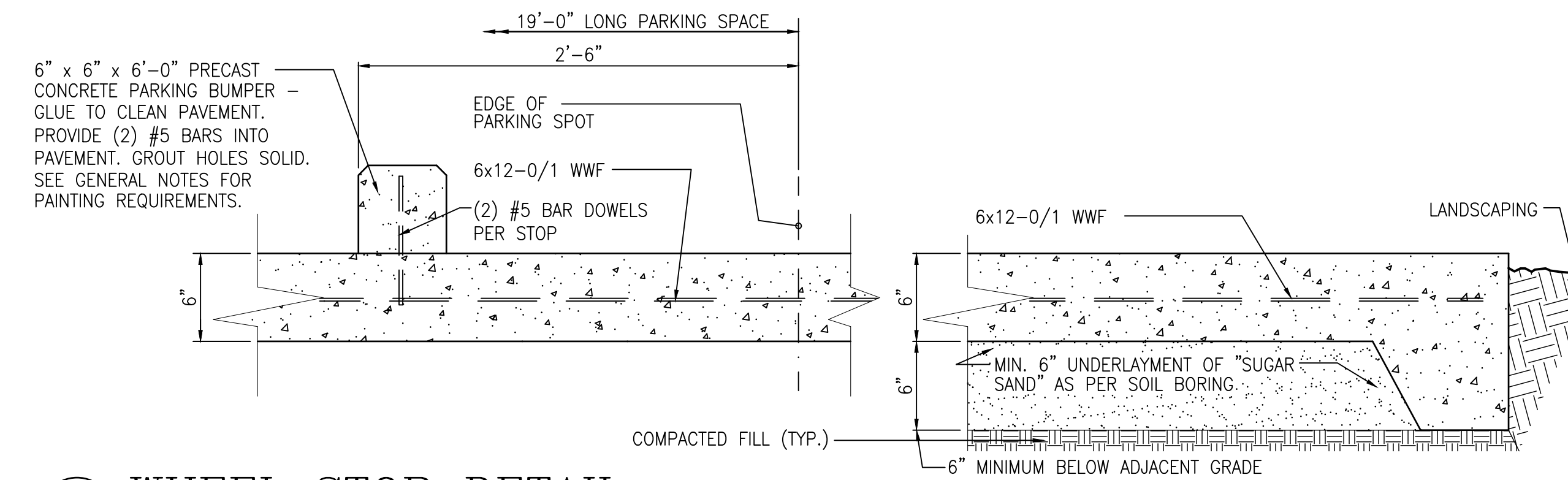
- NOTES:
- TRUEGRID PRO PLUS PRODUCTS ARE DESIGNED FOR LOAD CAPACITIES OF 120,000 LBS PER SQ. FT.
 - TRUEGRID PRO PLUS PRODUCTS ARE SUFFICIENTLY RATED FOR H-20 /HS-20 LOADING AND GREATER.
 - PROVIDE GEOGRID MESH OR GEOFABRIC BETWEEN SUB-GRADE & SUB-BASE.
 - NO STAKING NECESSARY WITH TRUEGRID PRO PLUS WHEN SLOPE IS BELOW 10 DEGREES. ASSESS PROJECT, AS NEEDED.



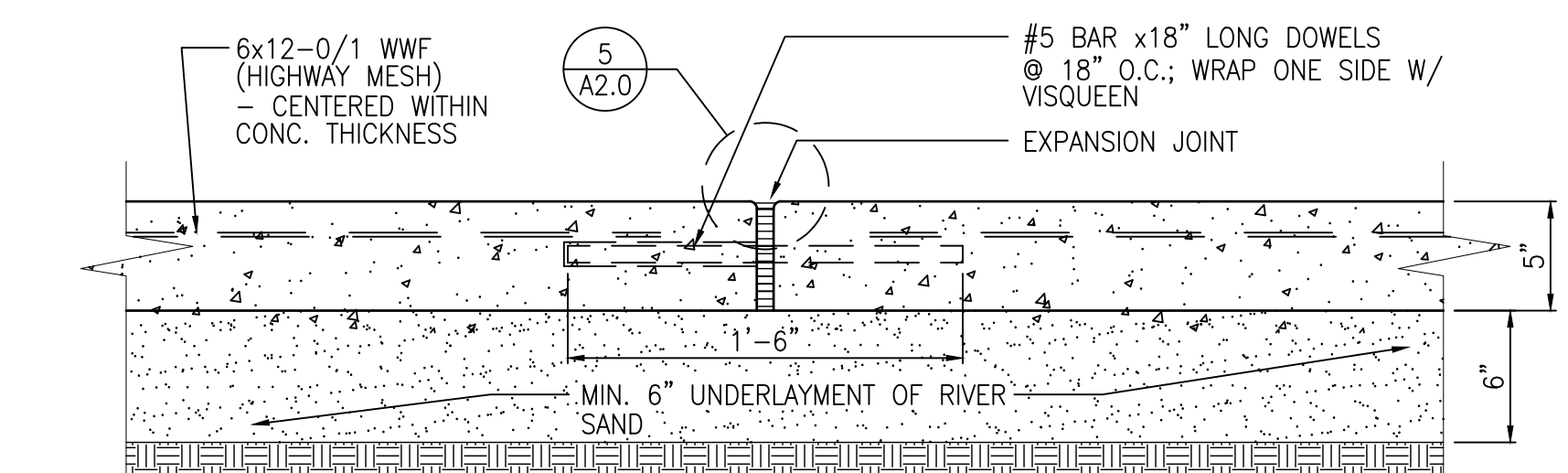
5 PAVING EDGE DETAIL
SCALE: 1 1/2"=1'-0"



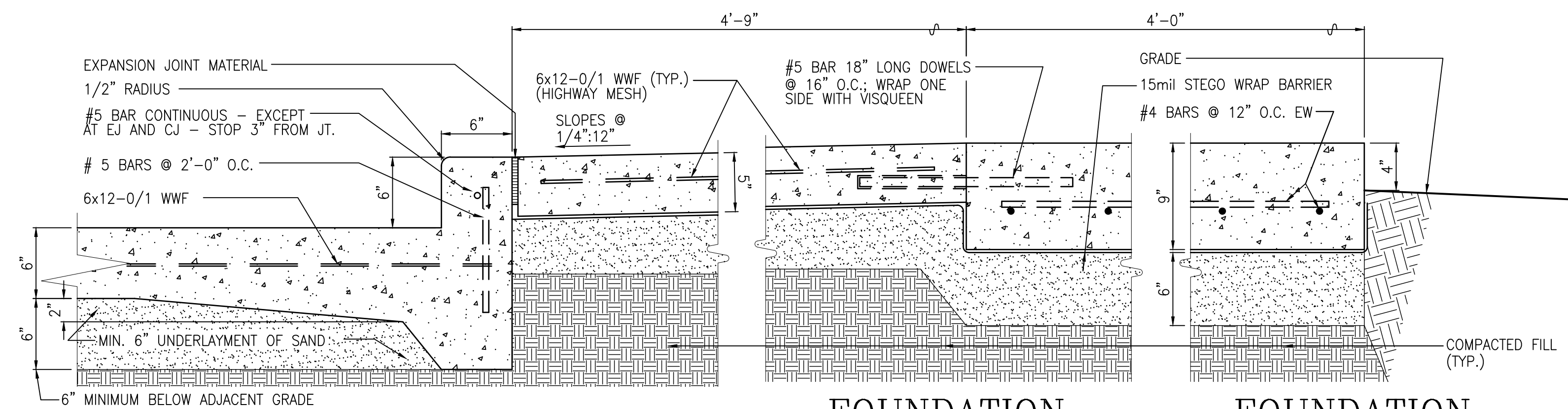
6 SIDEWALK EDGE DETAIL
SCALE: 1 1/2"=1'-0"



7 WHEEL STOP DETAIL
SCALE: 1 1/2"=1'-0"



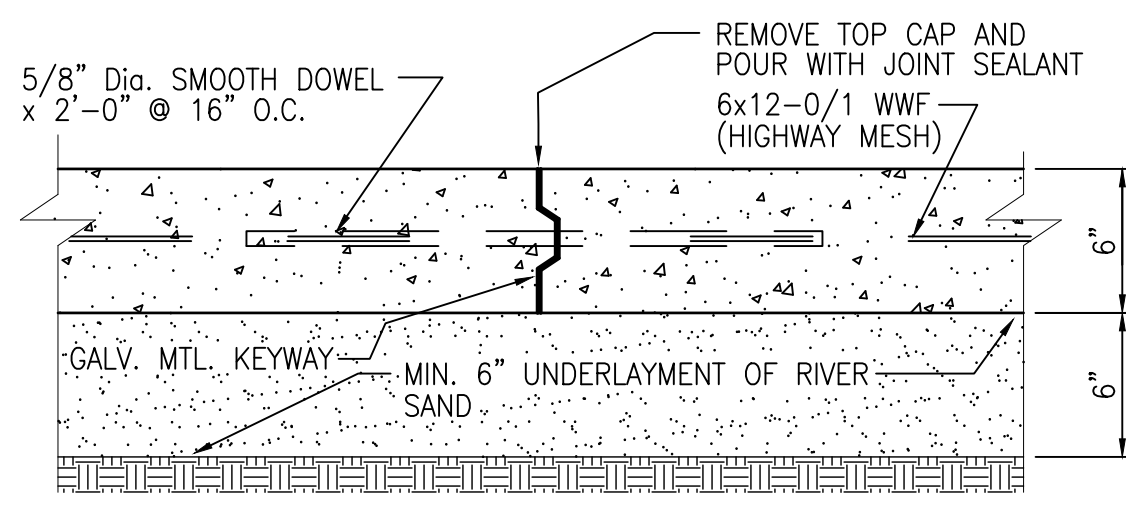
2 PAVING EXPANSION JOINT DETAIL - E.J.
SCALE: 1 1/2"=1'-0"



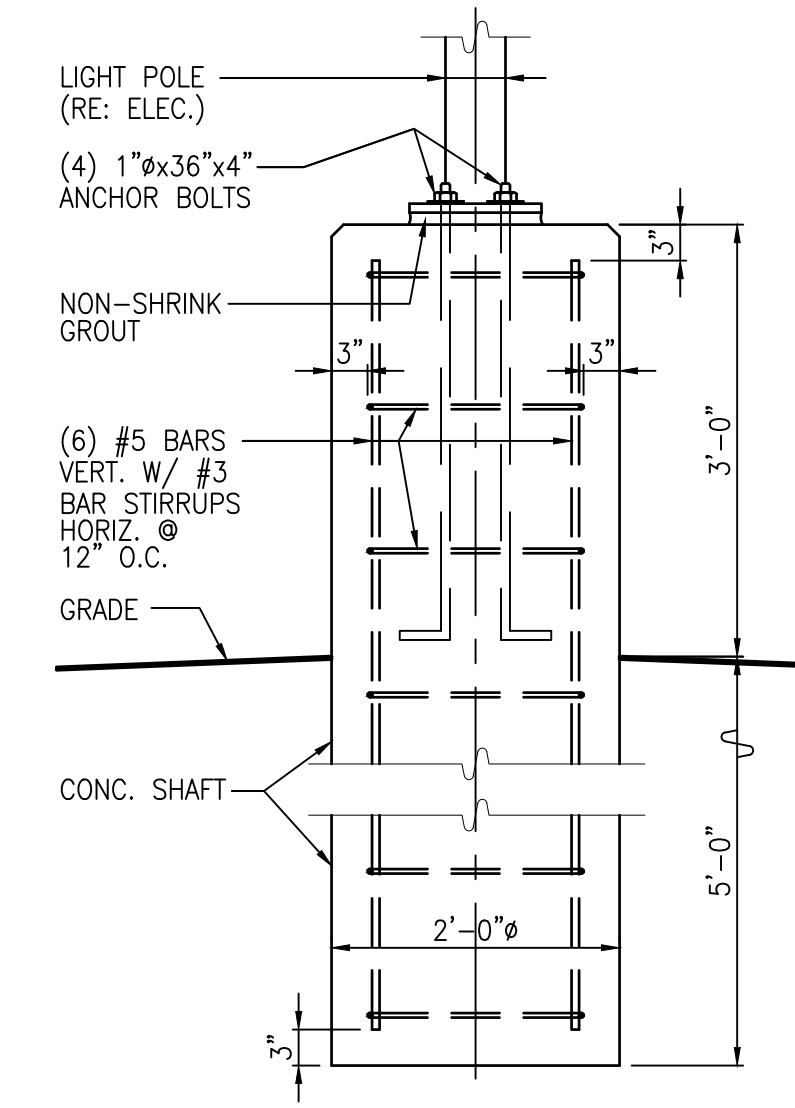
9 PAVING DETAIL
SCALE: 1 1/2"=1'-0"

10 FOUNDATION DETAIL
SCALE: 1 1/2"=1'-0"

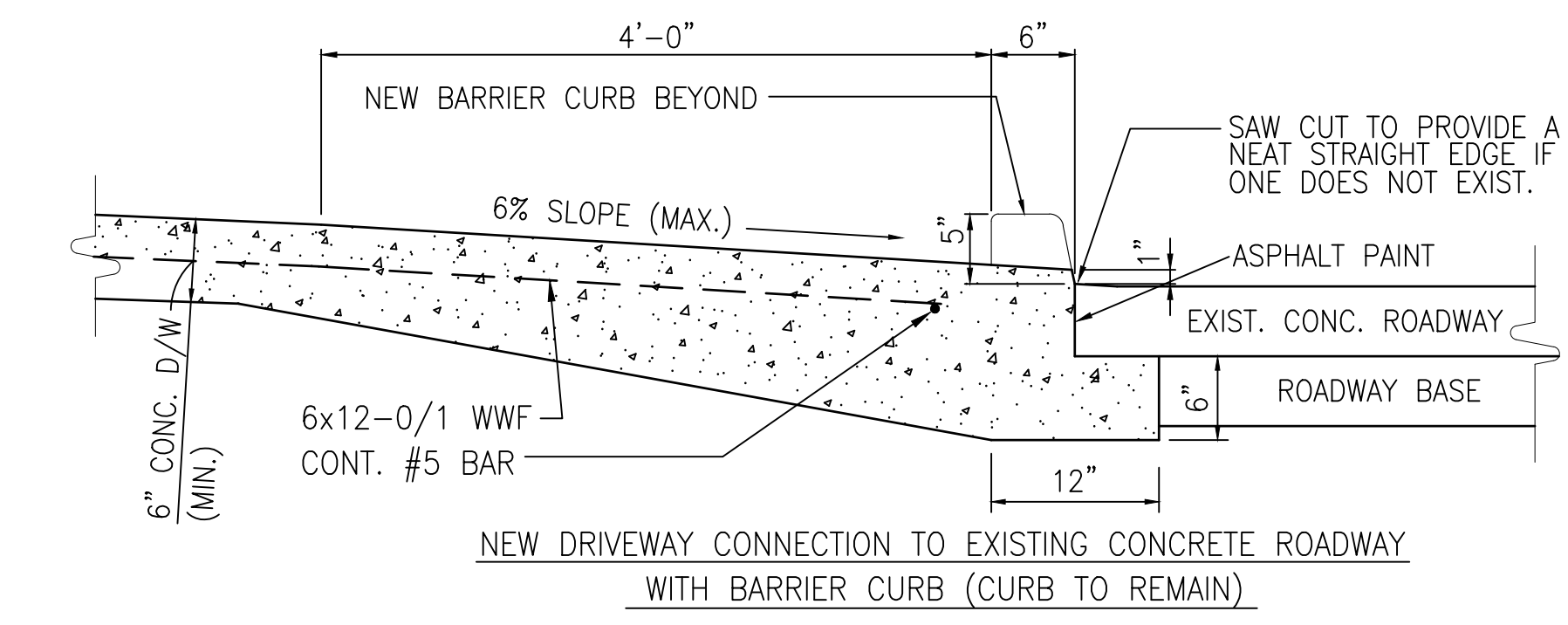
11 FOUNDATION DETAIL
SCALE: 1 1/2"=1'-0"



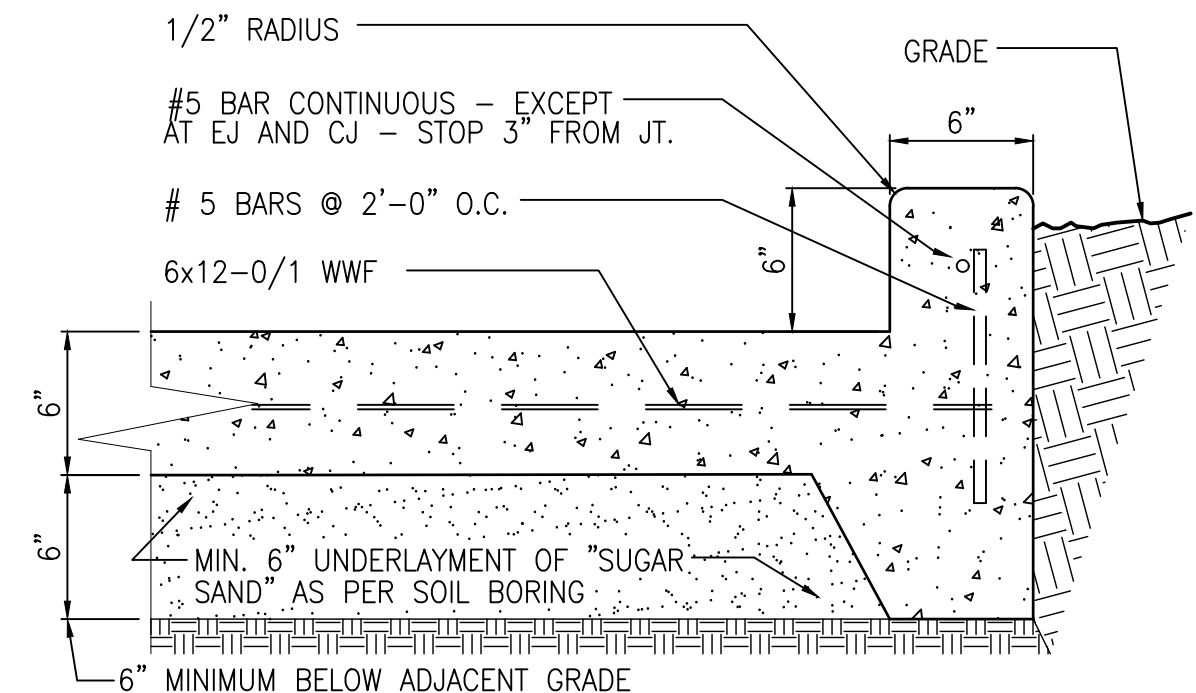
3 PAVING CONTROL JOINT DETAIL - C.J.
SCALE: 1 1/2"=1'-0"



8 LIGHT POLE FOUNDATION DETAIL
SCALE: 3/4"=1'-0"



12 DRIVEWAY SECTION
SCALE: 1"=1'-0"



4 CURB DETAIL
SCALE: 1 1/2"=1'-0"



New Parking Lot for the Center for Restorative Breast Surgery & St. Charles Surgical Hospital
1750 Robert C Blakes, SR Dr.; New Orleans, LA

SCALE: AS SHOWN FILE NAME: 18061/Site04j.B
DATE: Feb. 14, 2022

STEVEN J. FINEGAN ARCHITECTS, LTD.
A PROFESSIONAL CORPORATION
123 S. Pierce St. - New Orleans, LA 70119
(504)486-5744 www.stevfineganarchitect.com
E-mail: stevefinegan@nocoxmail.com

| NO. | DATE | REVISIONS |
|-----|------|-----------|
| | | |
| | | |

A3.0

This drawing is the property of STEVEN J. FINEGAN ARCHITECTS, LTD. It is not to be reproduced, copied or altered in whole or in part. It is not to be used for any purpose without the approval of STEVEN J. FINEGAN ARCHITECTS, LTD. and is to be returned on request.