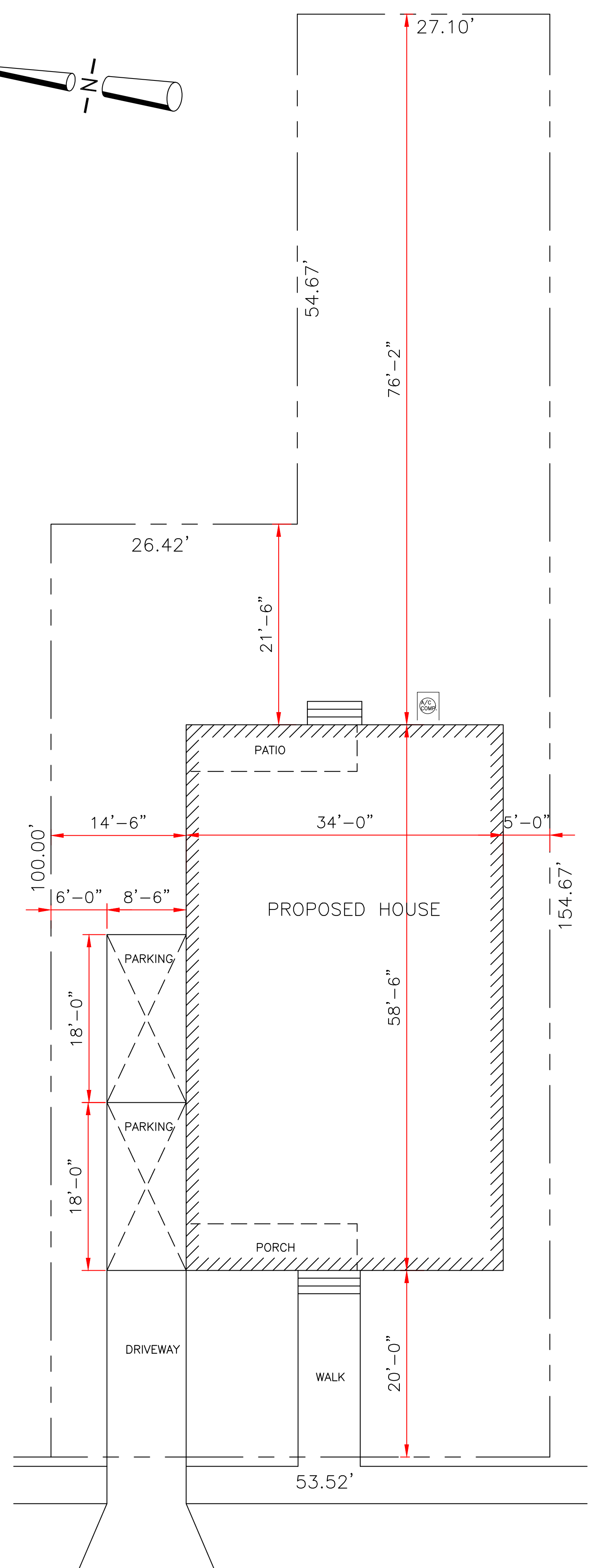


BACCICH STREET (SIDE)

ROBERT E. LEE BOULEVARD

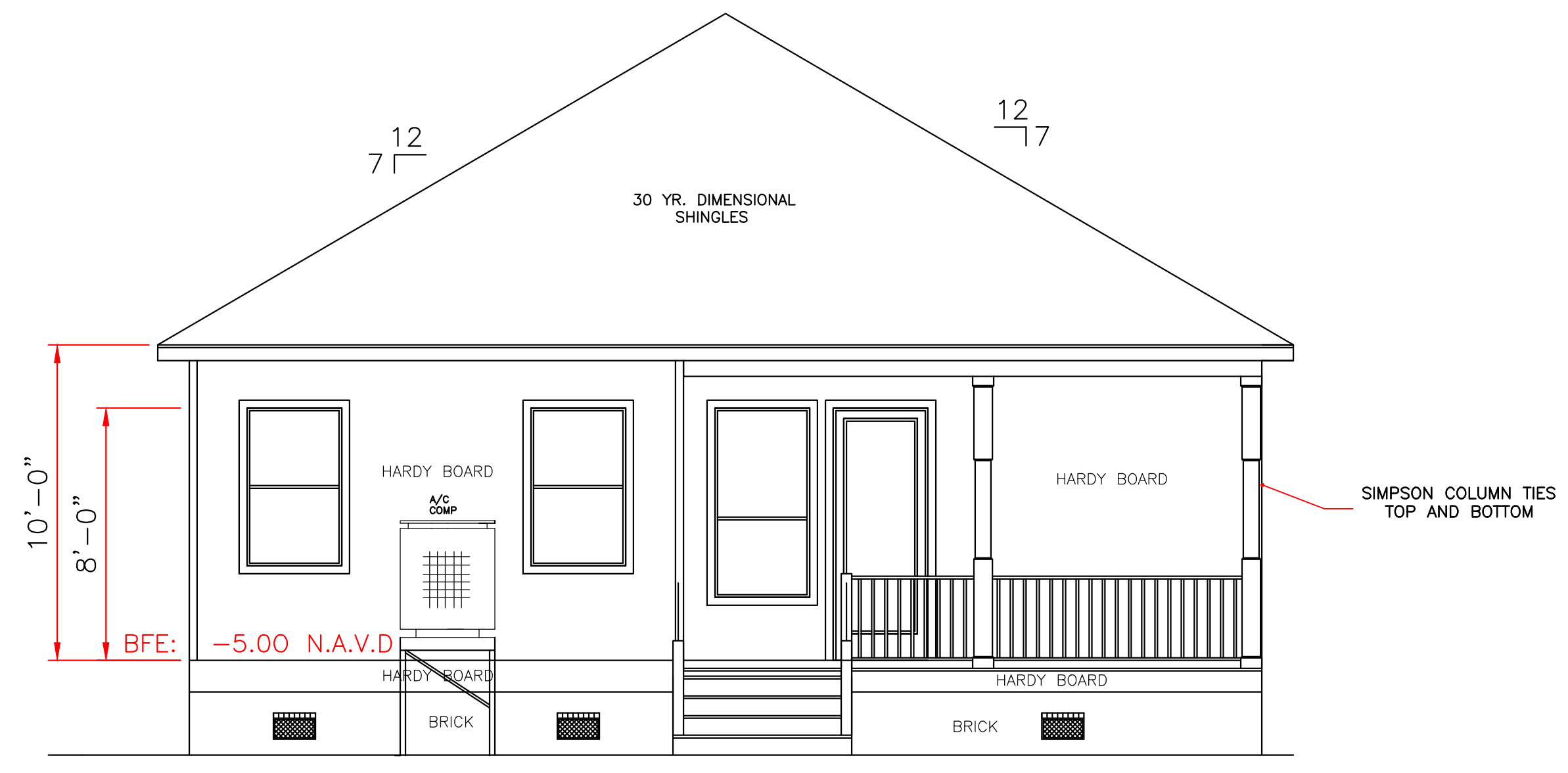
MADRID STREET (SIDE)



6125 LAFAYE STREET

LOT# M-15 SQ:4879
THIRD DISTRICT
ORLEANS PARISH, LA

SITE PLAN
SCALE: 1/8" = 1'-0"

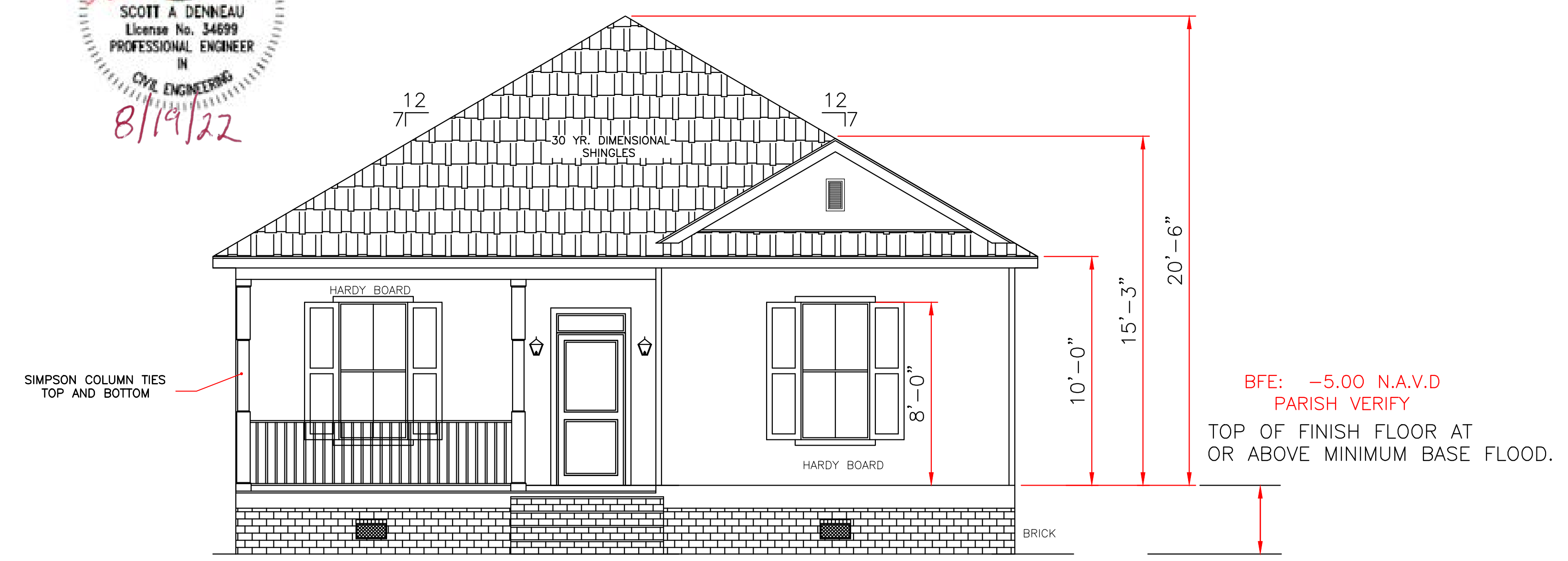
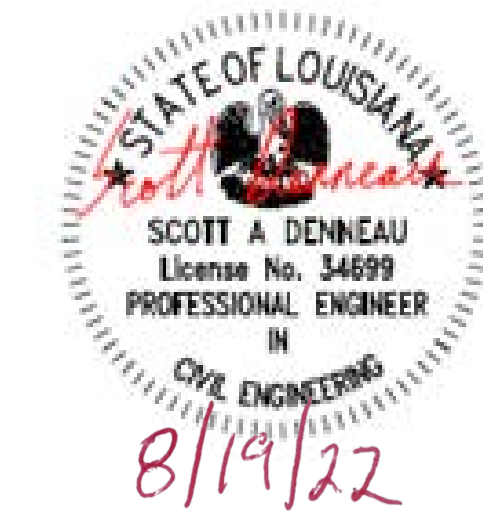


REAR ELEVATION
SCALE: 1/4" = 1'-0"

WIND BORNE DEBRIS PROTECTION
WINDOWS IN BUILDING LOCATED IN WIND BORNE DEBRIS REGIONS SHALL HAVE GLAZED OPENINGS PROTECTED FROM WIND BORNE DEBRIS. WOOD STRUCTURAL PANELS WITH A MIN. THICKNESS OF 1/2" AND A MAX. SPAN OF 8 FEET SHALL BE PERMITTED FOR OPENING PROTECTION IN ONE AND TWO STORY BUILDINGS. PANELS SHALL BE PRECUT TO COVER THE GLAZED OPENINGS WITH ATTACHMENT HARDWARE PROVIDED.

- CODE COMPLIANCE:
WIND SPEED 130 MPH.
1. THE 2015 INTERNATIONAL RESIDENTIAL CODE.
 2. WOOD FRAME CONSTRUCTION MANUAL FOR ONE AND TWO FAMILY DWELLINGS. (WFCM).
 3. INTERNATIONAL CODE COUNCIL (ICC) STANDARD FOR RESIDENTIAL CONSTRUCTION IN HIGH WIND REGIONS (ICC600).

SQUARE FOOTAGE	
LIVING	1781
PORCH	89
PATIO	89
TOTAL	1959



FRONT ELEVATION
SCALE: 1/4" = 1'-0"

BFE: -5.00 N.A.V.D.
PARISH VERIFY
TOP OF FINISH FLOOR AT
OR ABOVE MINIMUM BASE FLOOD.

ALL MATERIALS BELOW
BASE FLOOD MUST
BE WATER RESISTANT

THESE PLANS HAVE BEEN PROPERLY EXAMINED BY THE UNDERSIGNED. I HAVE DETERMINED THAT THEY COMPLY WITH THE FOLLOWING EXISTING STATE AND LOCAL BUILDING CODES FOR THE JURISDICTION IN WHICH THE RESIDENCE IS TO BE LOCATED.

IN THE EVENT THAT A DIMENSIONAL DISCREPANCY IN THE DRAWINGS IS DISCOVERED BY THE GENERAL CONTRACTOR, SUBCONTRACTORS, ENGINEER, CONSULTANT, OR A SUPPLIER, SAID PARTY SHALL IMMEDIATELY NOTIFY THE ARCHITECT AND SUSPEND ALL ASSOCIATED WORK UNTIL SUCH TIME THAT A PROPER DETERMINATION HAS BEEN MADE BY THE ARCHITECT, WITH APPROPRIATE INSTRUCTIONS FOR RESOLUTION OF THE ISSUE. FAILURE TO REPORT KNOWN DISCREPANCIES AND CONTINUING WITH THE WORK WITHOUT NOTIFYING THE ARCHITECT SHALL RESULT IN AN ASSUMPTION OF RESPONSIBILITY FOR CORRECTIVE WORK TO ACHIEVE THE INTENDED DESIGN.

	LARRY TRUMBATURI		GALIANO REALTY	
	8307 LAFITTE CT. CHALMETTE, LA 70043		6125 LAFAYE STREET ORLEANS PARISH, LA.	
504-279-3508	JOB NO 9082	DATE 08/11/22 REV 08/18/22	SHEET NO	1 OF 5

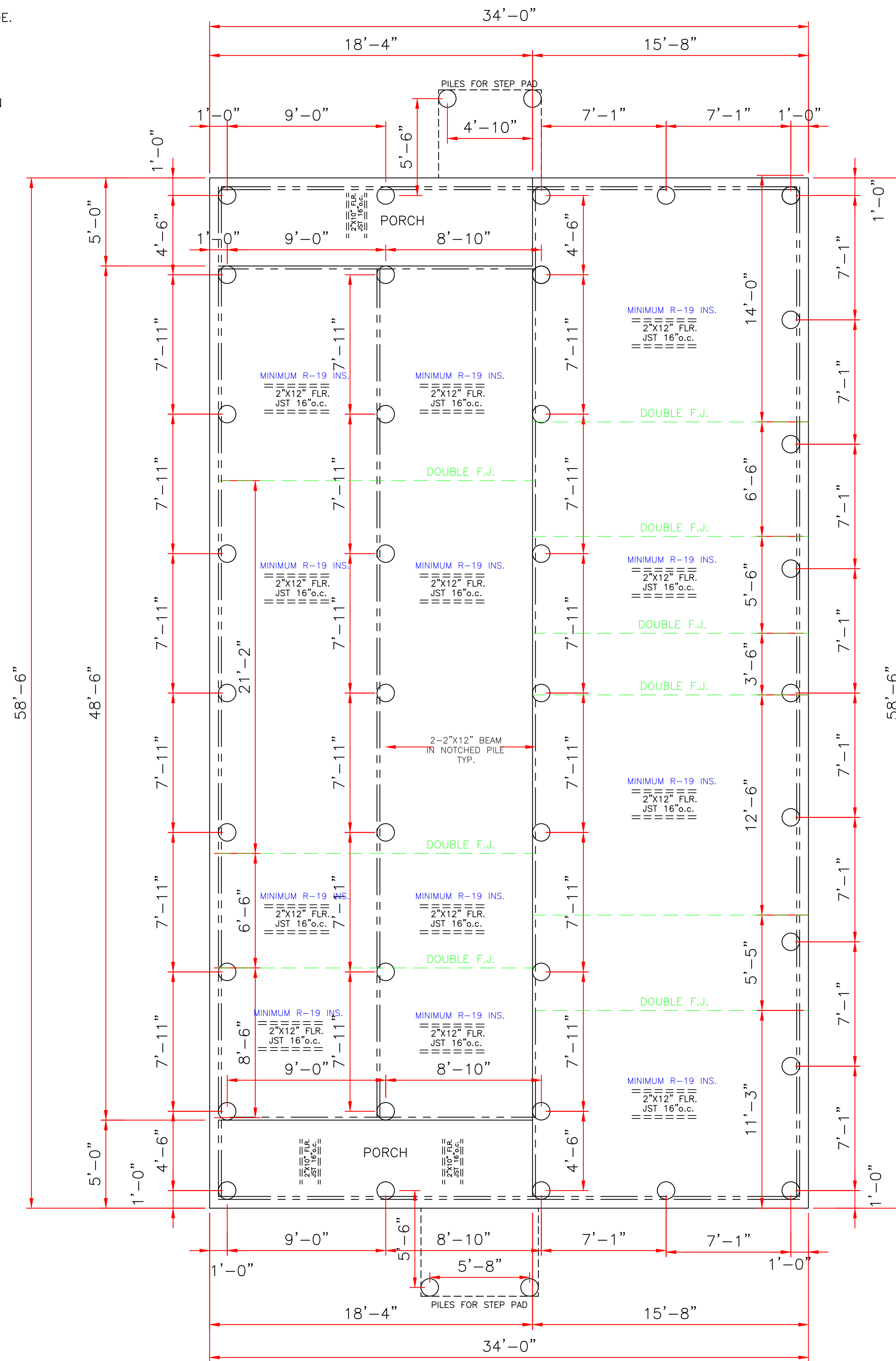
CODE COMPLIANCE:

WIND SPEED 130 MPH.

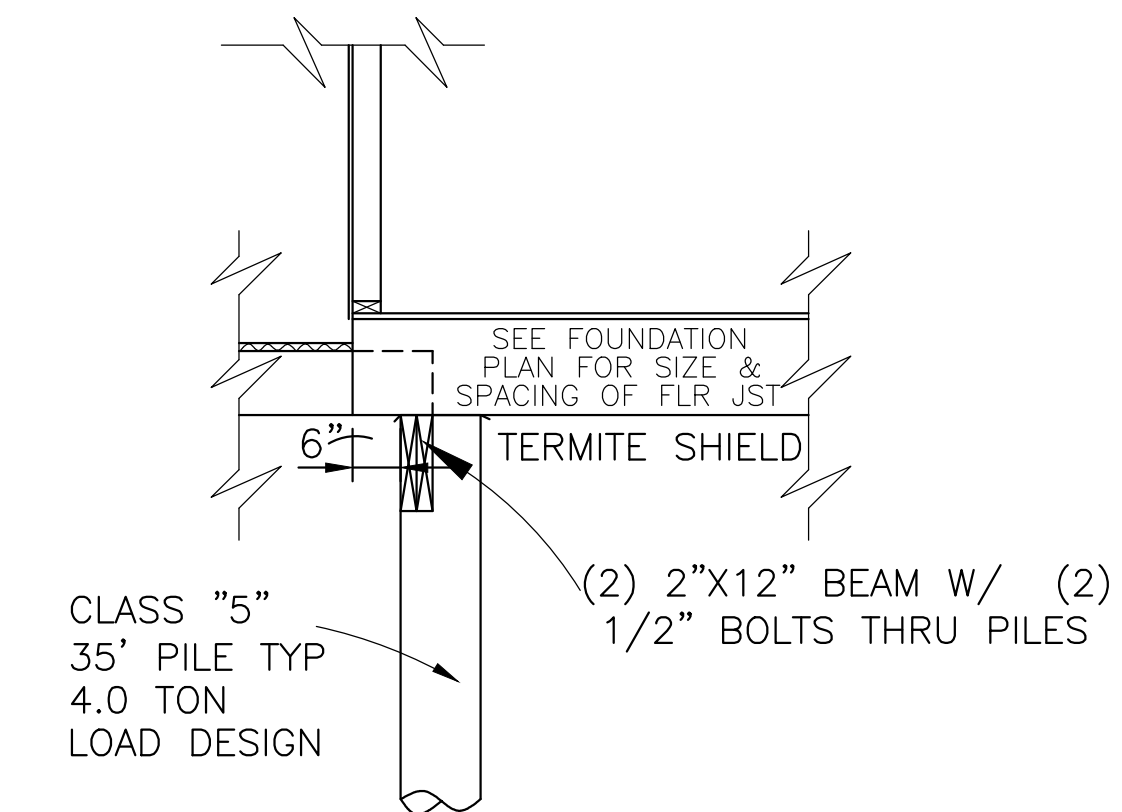
1. THE 2015 INTERNATIONAL RESIDENTIAL CODE.
2. WOOD FRAME CONSTRUCTION MANUAL FOR ONE AND TWO FAMILY DWELLINGS. (WFCM).
3. INTERNATIONAL CODE COUNCIL (ICC) STANDARD FOR RESIDENTIAL CONSTRUCTION IN HIGH WIND REGIONS (ICC600).

WIND BORNE DEBRIS PROTECTION

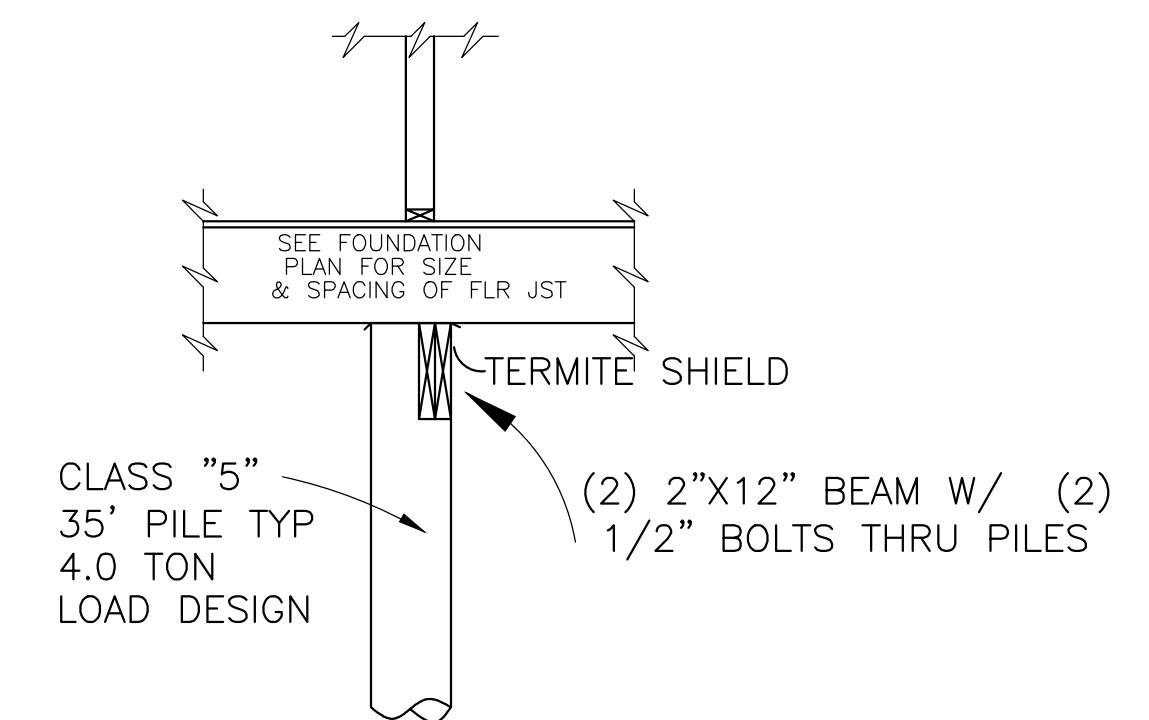
WINDOWS IN BUILDING LOCATED IN WIND BORNE DEBRIS REGIONS SHALL HAVE GLAZED OPENINGS PROTECTED FROM WIND BORNE DEBRIS. WOOD STRUCTURAL PANELS WITH A MIN. THICKNESS OF 1/2" AND A MAX. SPAN OF 8 FEET SHALL BE PERMITTED FOR OPENING PROTECTION IN ONE AND TWO STORY BUILDINGS. PANELS SHALL BE PRECUT TO COVER THE GLAZED OPENINGS WITH ATTACHMENT HARDWARE PROVIDED.



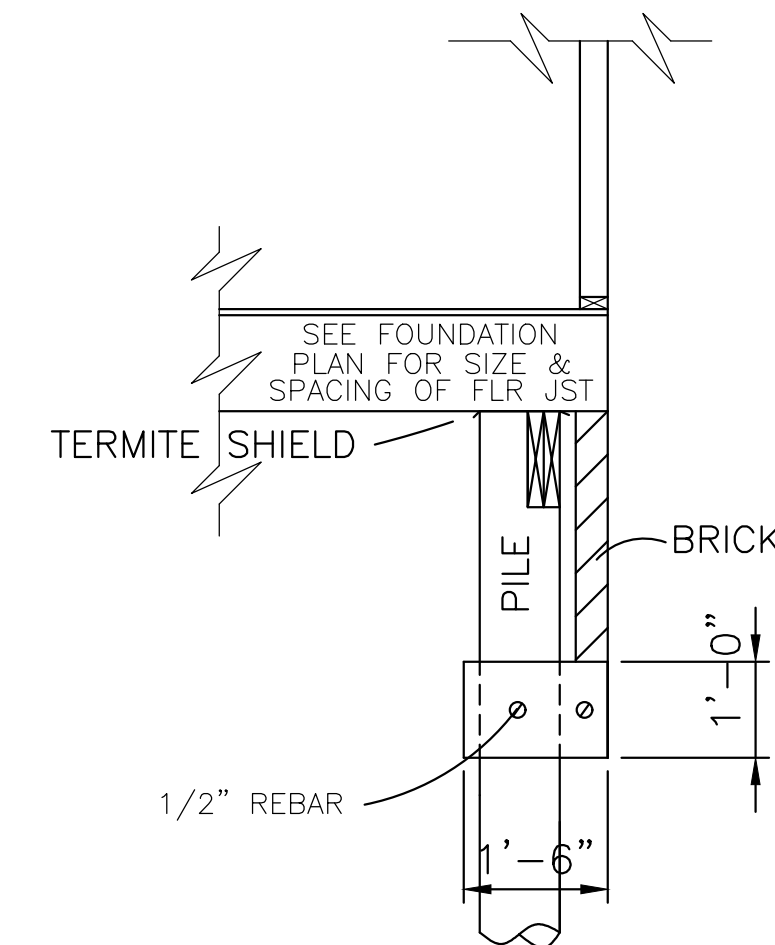
FOUNDATION PLAN
SCALE: 1/4" = 1'-0"



SECTION @ PORCH
SCALE: 1/2" = 1'-0"

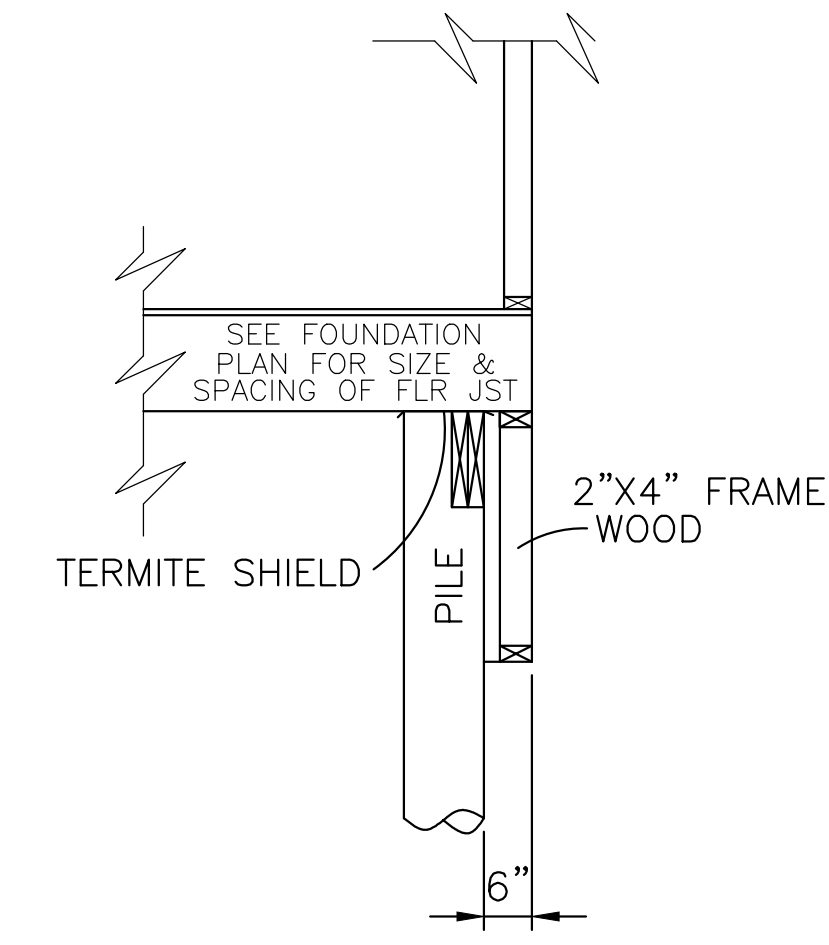


INTERIOR FOOTING DETAIL
SCALE: 1/2" = 1'



EXTERIOR BRICK DETAIL
SCALE: 1/2" = 1'-0"

OPTION



EXTERIOR WOOD DETAIL
SCALE: 1/2" = 1'-0"

OPTION

CLASS 5 35' PILE WITH 4.0 TON LOAD DESIGN DRIVEN WITH STEEL DROP HAMMER OR RAPID IMPACT HAMMER METHOD, TO REFUSAL

SOIL TREATMENT, CHEMICAL TERMITICIDE OR TEMITE SHIELDS WILL BE USED FOR TERMITES PROTECTION, BUILDER VERIFY



8/19/22

THESE PLANS HAVE BEEN PROPERLY EXAMINED BY THE UNDERSIGNED. I HAVE DETERMINED THAT THEY COMPLY WITH THE FOLLOWING EXISTING STATE AND LOCAL BUILDING CODES FOR THE JURISDICTION IN WHICH THE RESIDENCE IS TO BE LOCATED.

IN THE EVENT THAT A DIMENSIONAL DISCREPANCY IN THE DRAWINGS IS DISCOVERED BY THE GENERAL CONTRACTOR, SUBCONTRACTORS, ENGINEER, CONSULTANT, OR A SUPPLIER, SAID PARTY SHALL IMMEDIATELY NOTIFY THE ARCHITECT AND SUSPEND ALL ASSOCIATED WORK UNTIL SUCH TIME THAT A PROPER DETERMINATION HAS BEEN MADE BY THE ARCHITECT, WITH APPROPRIATE INSTRUCTIONS FOR RESOLUTION OF THE ISSUE. FAILURE TO REPORT KNOWN DISCREPANCIES AND CONTINUING WITH THE WORK WITHOUT NOTIFYING THE ARCHITECT SHALL RESULT IN AN ASSUMPTION OF RESPONSIBILITY FOR CORRECTIVE WORK TO ACHIEVE THE INTENDED DESIGN.

	LARRY TRUMBATURI		GALIANO REALTY 6125 LAFAYE STREET ORLEANS PARISH, LA.	
	8307 LAFITTE CT. CHALMETTE, LA 70043 504-279-3508	JOB NO 9082	DATE 08/11/22 REV 08/18/22	SHEET NO 2 OF 5

CODE COMPLIANCE:

WIND SPEED 130 MPH.

1. THE 2015 INTERNATIONAL RESIDENTIAL CODE.
2. WOOD FRAME CONSTRUCTION MANUAL FOR ONE AND TWO FAMILY DWELLINGS. (WFCM).
3. INTERNATIONAL CODE COUNCIL (ICC) STANDARD FOR RESIDENTIAL CONSTRUCTION IN HIGH WIND REGIONS (ICC600).

ELECTRICAL NOTES

1. AFCI PROTECTION SHALL BE PROVIDED FOR DINING ROOMS, FAMILY ROOMS, LIVING ROOMS, HALLWAYS, CLOSETS, BEDROOMS, ETC.
2. SMOKE DETECTORS: (A) SHALL BE INSTALLED IN EACH SLEEPING ROOM. (B) SHALL BE INSTALLED OUTSIDE, IN THE VICINITY OF EACH SLEEPING ROOM. (C) SHALL BE 120 VOLT, HARDWIRED, INTERCONNECTED, WITH A BATTERY BACKUP. (D) SHALL NOT BE INSTALLED WITHIN 36 INCHES OF A RETURN AIR GRILLE OR ANY PADDLE FAN BLADE.
3. KITCHEN: (A) ALL RECEPTACLES OVER COUNTERTOP SHALL BE GFI PROTECTED REGARDLESS OF DISTANCE FROM THE SINK. (B) THE DISHWASHER SHALL BE CONNECTED BY MEANS OF AN APPLIANCE CORD TO A RECEPTACLE UNDER THE SINK. THE RECEPTACLE WILL NOT BE GFI PROTECTED.
4. BATHROOMS: (A) ALL RECEPTACLES SHALL BE GFI PROTECTED. (B) LIGHTS OVER BATHTUBS SHALL HAVE COVERS THAT ARE LISTED FOR "DAMP LOCATION" (C) LIGHTS OVER SHOWERS SHALL HAVE COVERS LISTED FOR "WET LOCATION."
5. EXTERIOR RECEPTACLES SHALL ALL BE GFI PROTECTED AND SHALL HAVE WEATHERPROOF COVERS.
6. A RECEPTACLE (NOT SHOWN ON THE PLAN) WILL BE INSTALLED ON THE EXTERIOR WALL WITHIN 25 FEET OF THE AIR CONDITIONING EQUIPMENT.

NOTE:
 PROVIDE ATTIC VENTILATION AS REQUIRED BY 2015 IRC SEC. R806. (NOTE: RIDGE VENTS, WITHOUT VENTED SOFFITS OR OTHER ASSISTANCE, DO NOT GUARANTEE COMPLIANCE WITH CODE.)

SQUARE FOOTAGE	
LIVING	1805
PORCH	92
PATIO	92
TOTAL	1989

WIND BORNE DEBRIS PROTECTION

WINDOWS IN BUILDING LOCATED IN WIND BORNE DEBRIS REGIONS SHALL HAVE GLAZED OPENINGS PROTECTED FROM WIND BORNE DEBRIS. WOOD STRUCTURAL PANELS WITH A MIN. THICKNESS OF 1/2" AND A MAX. SPAN OF 8 FEET SHALL BE PERMITTED FOR OPENING PROTECTION IN ONE AND TWO STORY BUILDINGS. PANELS SHALL BE PRECUT TO COVER THE GLAZED OPENINGS WITH ATTACHMENT HARDWARE PROVIDED.

CODE COMPLIANCE:

WIND SPEED 130 MPH.

1. THE 2015 INTERNATIONAL RESIDENTIAL CODE.
2. WOOD FRAME CONSTRUCTION MANUAL FOR ONE AND TWO FAMILY DWELLINGS. (WFCM).
3. INTERNATIONAL CODE COUNCIL (ICC) STANDARD FOR RESIDENTIAL CONSTRUCTION IN HIGH WIND REGIONS (ICC600).

GENERAL NOTES:

ATTIC VENTILATION WILL BE CONTINUOUS RIDGE VENTS AND PERFORATED SOFFITS. OR EQUAL

TERMITE SHIELDS WILL BE 26 GA GALVANIZED AT EACH PIER UNDER SILLS

#2 PINE LUMBER WILL BE USED FOR FRAMING LUMBER

CONTRACTOR TO REMOVE DEBRIS FROM PROPERTY

ENCLOSED AREAS BELOW FLOOD GRADE SHALL HAVE A MINIMUM OF 1 SQ. IN. PER 1 SQ. FT. OF WATER FLOW VENTING.

MINIMUM INSULATION REQUIRED

FLOORS- R-19
 WALL- R-13
 CEILING- R-38

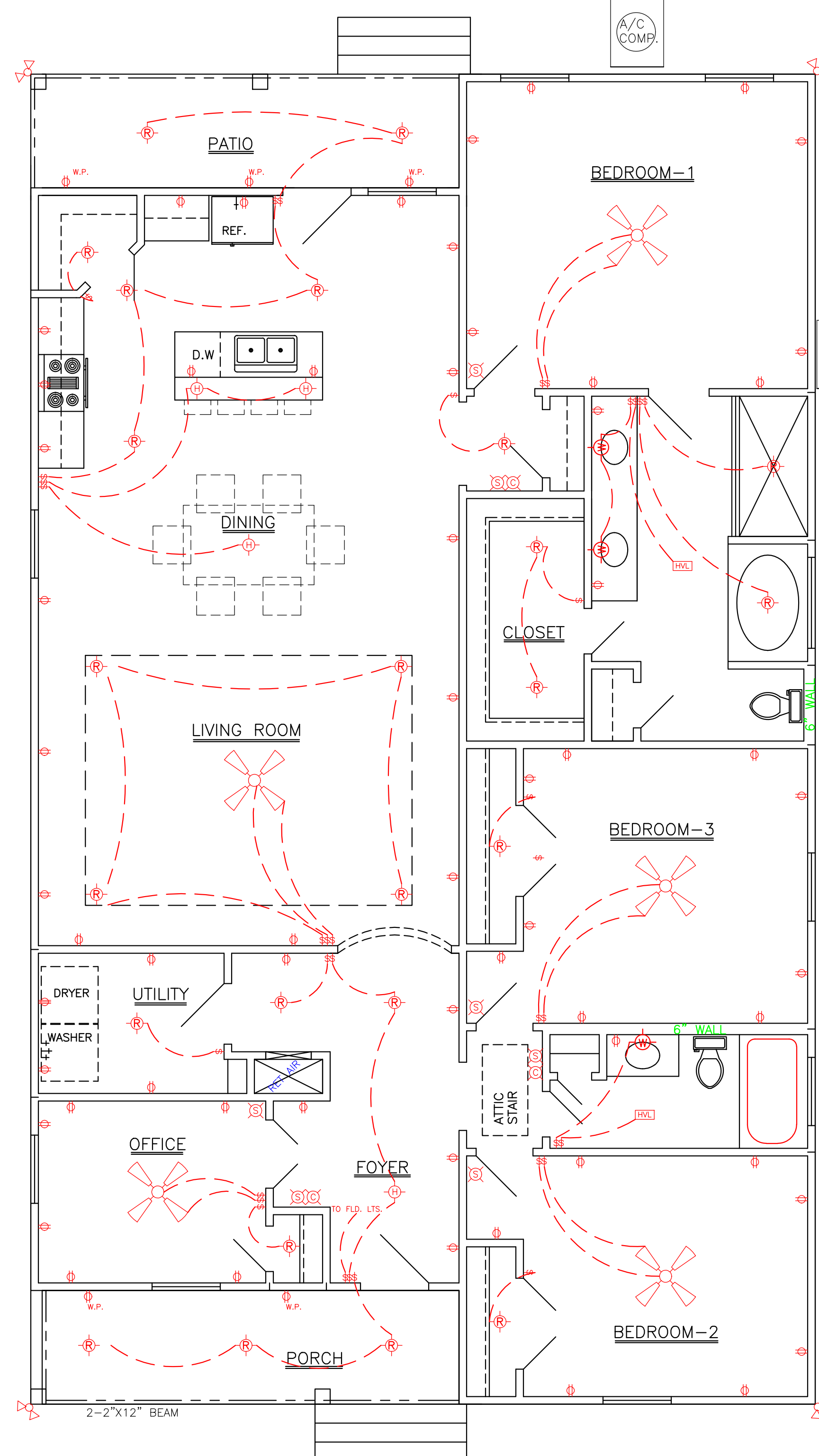
BUILDING MATERIAL USED BELOW DESIGN FLOOD ELEVATION MUST BE WATER RESISTANT

WINDOWS INSTALLED IN BATHTUB ENCLOSURES LESS THAN 60" F.F.F. REQUIRE SAFETY GLAZING AND WINDOWS WITHIN 2' OF DOORS AND WITHIN 5' OF STAIRS

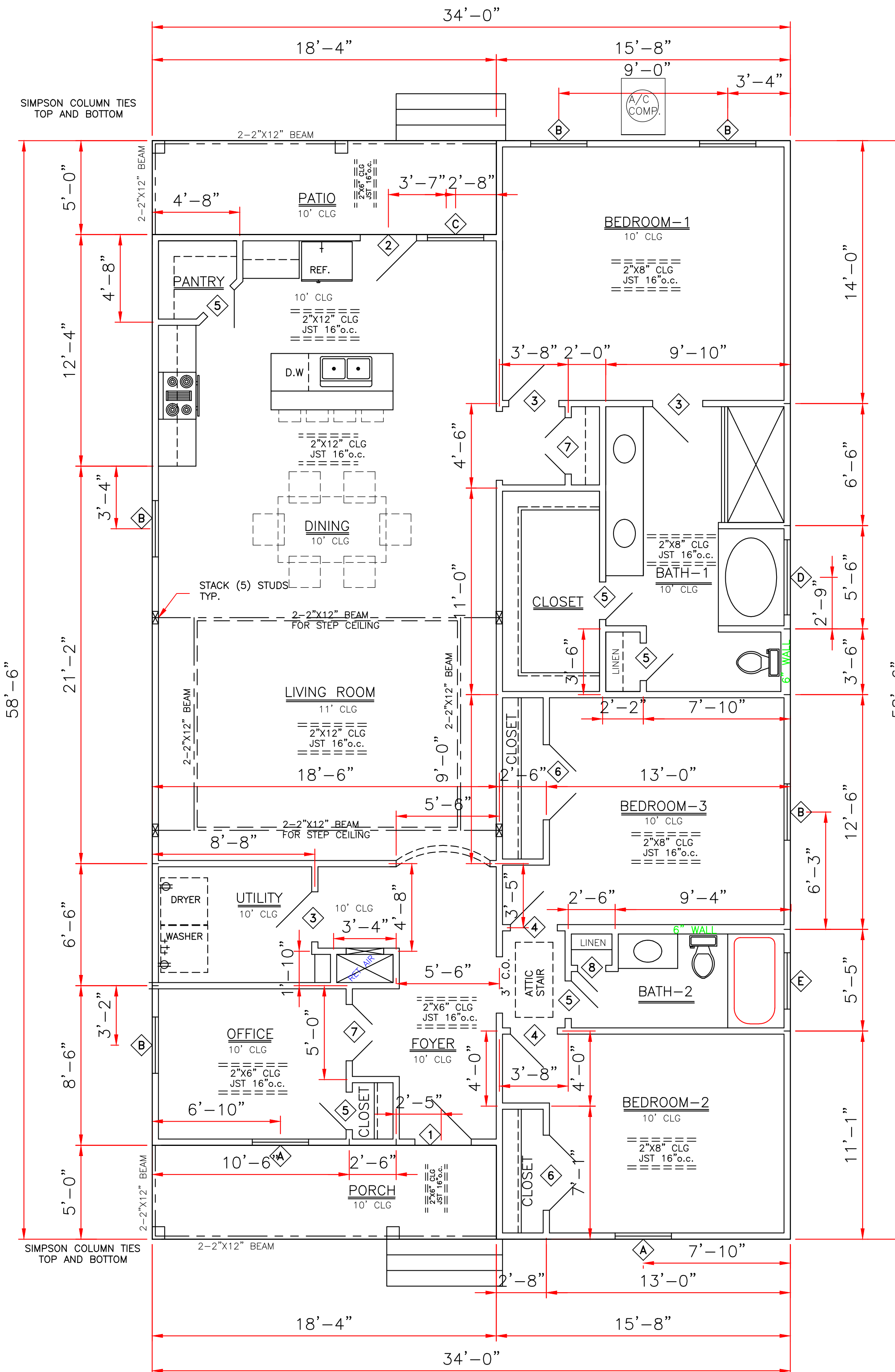
FLOOD VENTS WHERE APPLICABLE SHALL BE 1'-0" OR LESS ABOVE GRADE.

WINDOWS WHERE BOTTOM EDGE IS LESS THAN 18" REQUIRES SAFETY

LEGEND	
	CEILING FAN CEILING FAN
	RECESSED LIGHTS RECESSED LIGHTS
	WALL SWITCH 15A., 120V., SINGLE POLE SINGLE THROW, MOUNT AT 60" AFF
	3 WAY WALL SWITCH 15A., 120V., MOUNT AT 60" AFF
	CEILING LIGHT INCANDESCENT, 2-60 WATT
	FLOOD LIGHTS
	HEAT/ VENT/LIGHT FIXTURE
	CARBON MONOXIDE DETECTOR
	110 VOLT SMOKE DETECTOR
	110 VOLT WATER PROOF OUTLET
	110 VOLT OUTLET
	220 VOLT OUTLET
	HANGING LIGHT FIXTURE
	WALL LIGHT FIXTURE
	DIMMER LIGHT FIXTURE



ELECTRICAL PLAN
 SCALE: 1/4" = 1'-0"



FLOOR PLAN
 SCALE: 1/4" = 1'-0"

DOORS		
1	3'0"x6'8"x1 3/4"	EXT. INSUL. W/ 3'0"x1'0" TRANS
2	3'0"x8'0"x1 3/4"	EXT. INSUL.
3	2'8"x8'0"x1 3/8"	INTERIOR RAISED PANEL
4	2'6"x8'0"x1 3/8"	INTERIOR RAISED PANEL
5	2'0"x8'0"x1 3/8"	INTERIOR RAISED PANEL
6	2-2'0"x8'0"x1 3/8"	INTERIOR RAISED PANEL PAIR
7	2-1'6"x8'0"x1 3/8"	INTERIOR RAISED PANEL PAIR
8	1'6"x8'0"x1 3/8"	INTERIOR RAISED PANEL

WINDOWS		
A	3'0"x6'0"	VINYL S.H. 2/2 LTS
B	3'0"x5'0"	VINYL S.H. 1/1 LTS
C	3'0"x6'0"	VINYL S.H. 1/1 LTS
D	4'0"x4'0"	FIXED W/ SAFETY GLAZING (SECT. R30B IRC)
E	3'0"x1'0"	FIXED W/ SAFETY GLAZING (SECT. R30B IRC)

ENERGY PERFORMANCE RATING: U-FACTOR=.55; SOLAR HEAT GAIN COEFFICIENT=.35



8/19/22

THESE PLANS HAVE BEEN PROPERLY EXAMINED BY THE UNDERSIGNED. I HAVE DETERMINED THAT THEY COMPLY WITH THE FOLLOWING EXISTING STATE AND LOCAL BUILDING CODES FOR THE JURISDICTION IN WHICH THE RESIDENCE IS TO BE LOCATED.

	LARRY TRUMBATURI		GALIANO REALTY 6125 LAFAYE STREET ORLEANS PARISH, LA.	
	8307 LAFITTE CT. CHALMETTE, LA 70043	DATE 08/11/22	SHEET NO	
504-279-3508	JOB NO 9082	REV 08/18/22	3 OF 5	

IN THE EVENT THAT A DIMENSIONAL DISCREPANCY IN THE DRAWINGS IS DISCOVERED BY THE GENERAL CONTRACTOR, SUBCONTRACTORS, ENGINEER, CONSULTANT, OR A SUPPLIER, SAID PARTY SHALL IMMEDIATELY NOTIFY THE ARCHITECT AND SUSPEND ALL ASSOCIATED WORK UNTIL SUCH TIME THAT A PROPER DETERMINATION HAS BEEN MADE BY THE ARCHITECT, WITH APPROPRIATE INSTRUCTIONS FOR RESOLUTION OF THE ISSUE. FAILURE TO REPORT KNOWN DISCREPANCIES AND CONTINUING WITH THE WORK WITHOUT NOTIFYING THE ARCHITECT SHALL RESULT IN AN ASSUMPTION OF RESPONSIBILITY FOR CORRECTIVE WORK TO ACHIEVE THE INTENDED DESIGN.

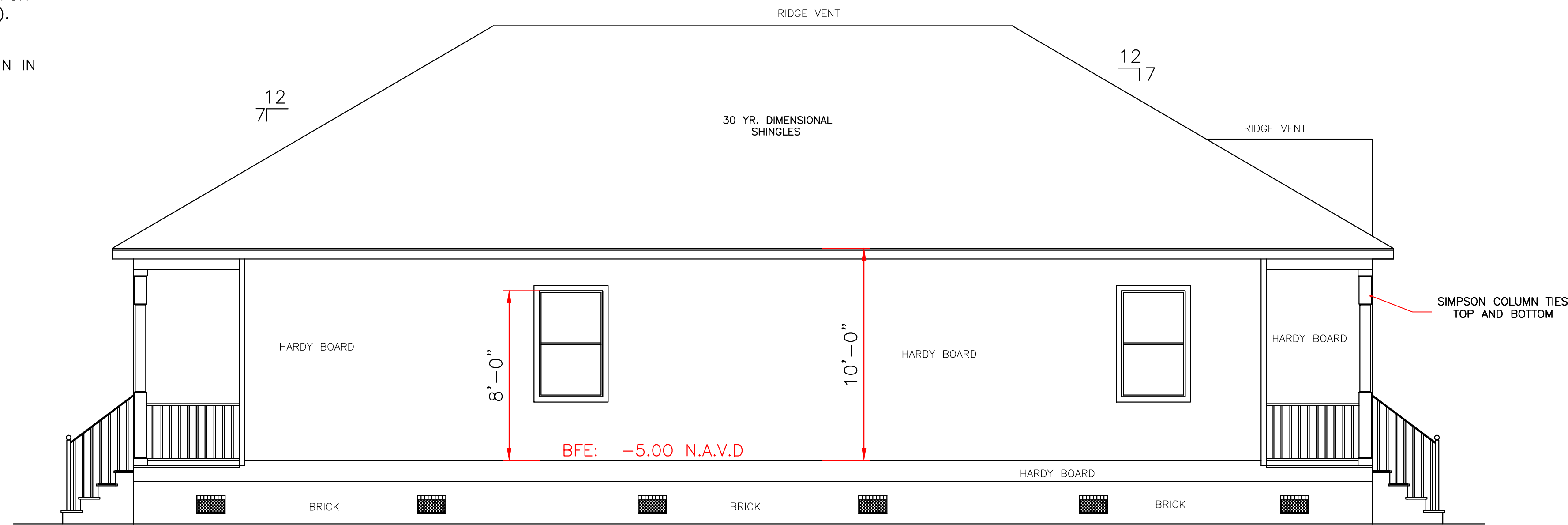
CODE COMPLIANCE:

WIND SPEED 130 MPH.

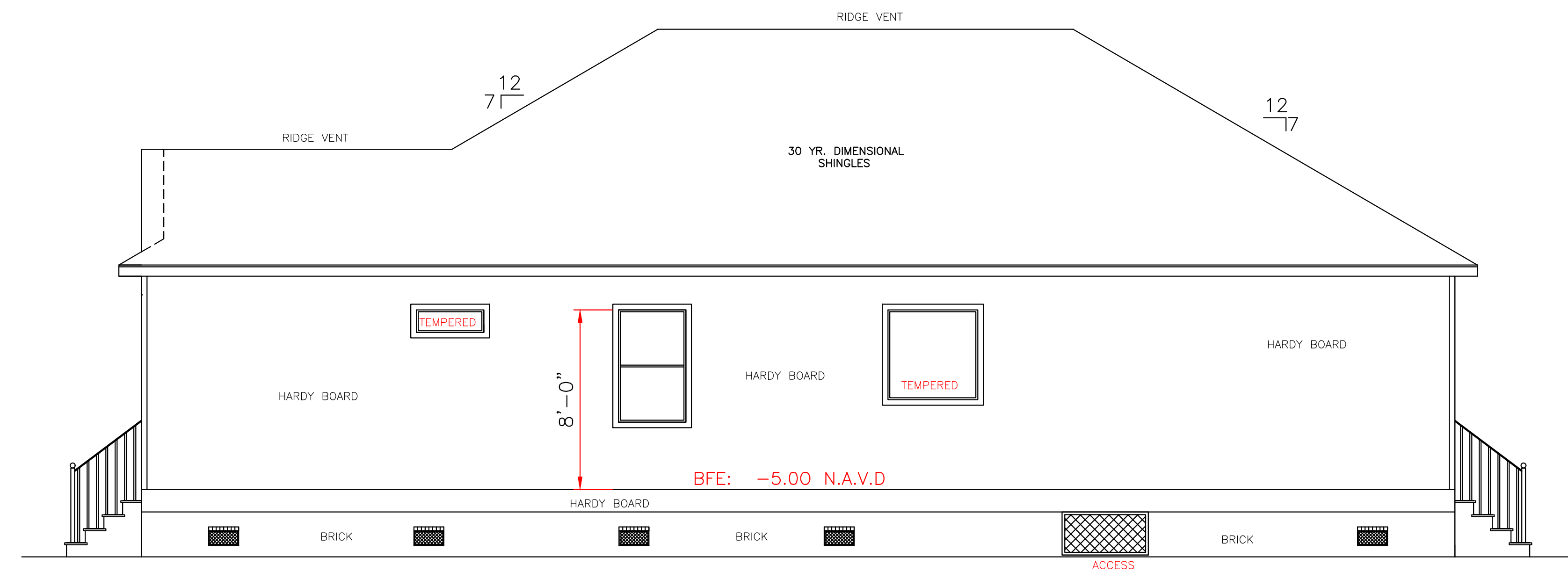
1. THE 2015 INTERNATIONAL RESIDENTIAL CODE.
2. WOOD FRAME CONSTRUCTION MANUAL FOR ONE AND TWO FAMILY DWELLINGS. (WFCM).
3. INTERNATIONAL CODE COUNCIL (ICC) STANDARD FOR RESIDENTIAL CONSTRUCTION IN HIGH WIND REGIONS (ICC600).

WIND BORNE DEBRIS PROTECTION

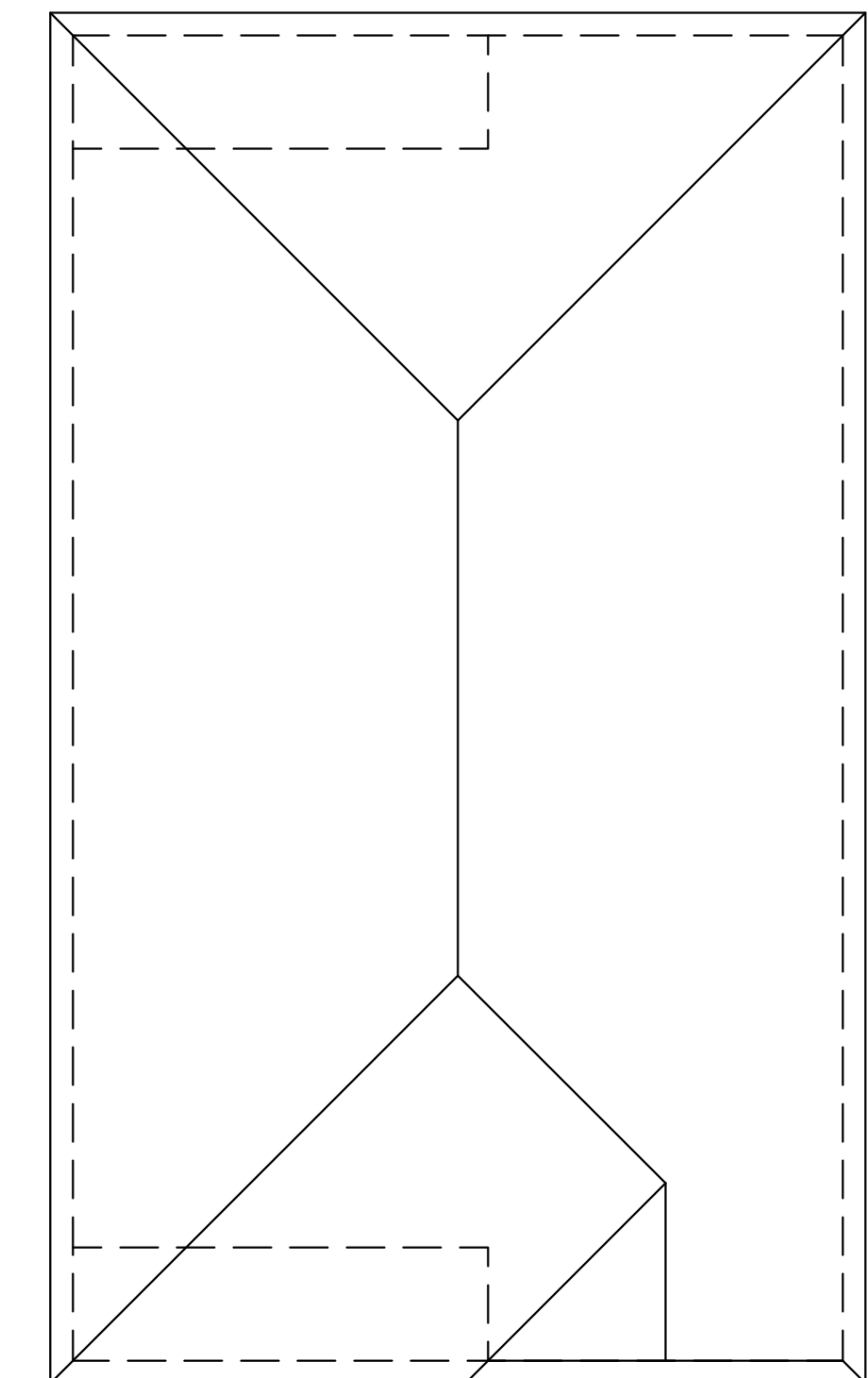
WINDOWS IN BUILDING LOCATED IN WIND BORNE DEBRIS REGIONS SHALL HAVE GLAZED OPENINGS PROTECTED FROM WIND BORNE DEBRIS. WOOD STRUCTURAL PANELS WITH A MIN. THICKNESS OF 1/2" AND A MAX. SPAN OF 8 FEET SHALL BE PERMITTED FOR OPENING PROTECTION IN ONE AND TWO STORY BUILDINGS. PANELS SHALL BE PRECUT TO COVER THE GLAZED OPENINGS WITH ATTACHMENT HARDWARE PROVIDED.



LEFT ELEVATION
SCALE: 1/4" = 1'-0"



RIGHT ELEVATION
SCALE: 1/4" = 1'-0"



ROOF PLAN
SCALE: 1/8" = 1'-0"



ALL MATERIALS BELOW
BASE FLOOD MUST
BE WATER RESISTANT

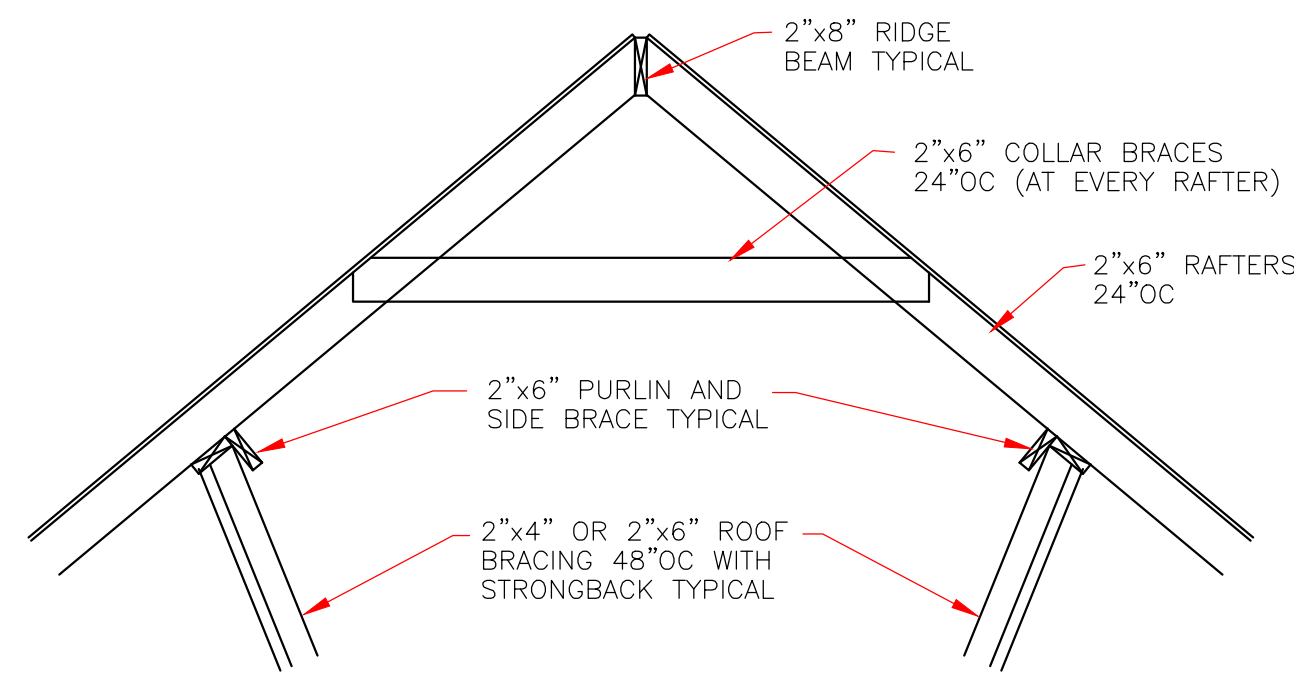
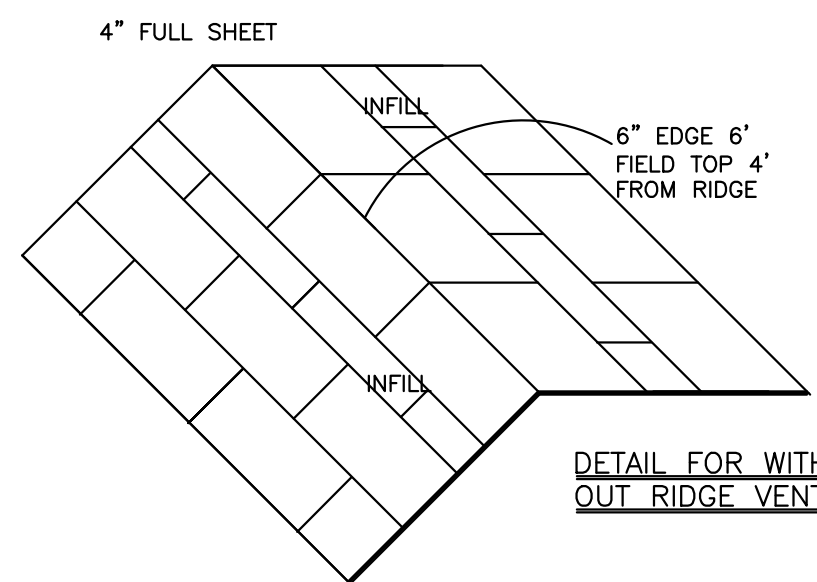
IN THE EVENT THAT A DIMENSIONAL DISCREPANCY IN THE DRAWINGS IS DISCOVERED BY THE GENERAL CONTRACTOR, SUBCONTRACTORS, ENGINEER, CONSULTANT, OR A SUPPLIER, SAID PARTY SHALL IMMEDIATELY NOTIFY THE ARCHITECT AND SUSPEND ALL ASSOCIATED WORK UNTIL SUCH TIME THAT A PROPER DETERMINATION HAS BEEN MADE BY THE ARCHITECT, WITH APPROPRIATE INSTRUCTIONS FOR RESOLUTION OF THE ISSUE. FAILURE TO REPORT KNOWN DISCREPANCIES AND CONTINUING WITH THE WORK WITHOUT NOTIFYING THE ARCHITECT SHALL RESULT IN AN ASSUMPTION OF RESPONSIBILITY FOR CORRECTIVE WORK TO ACHIEVE THE INTENDED DESIGN.

THESE PLANS HAVE BEEN PROPERLY EXAMINED BY THE UNDERSIGNED. I HAVE DETERMINED THAT THEY COMPLY WITH THE FOLLOWING EXISTING STATE AND LOCAL BUILDING CODES FOR THE JURISDICTION IN WHICH THE RESIDENCE IS TO BE LOCATED.

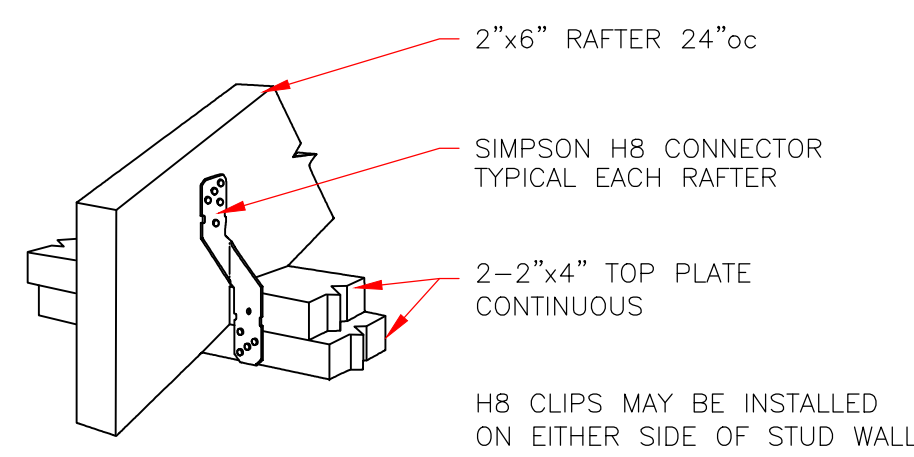
	LARRY TRUMBATURI	GALIANO REALTY 6125 LAFAYE STREET ORLEANS PARISH, LA.
	8307 LAFITTE CT. CHALMETTE, LA 70043 504-279-3508	DATE 08/11/22 REV 08/18/22

WIND BORNE DEBRIS PROTECTION

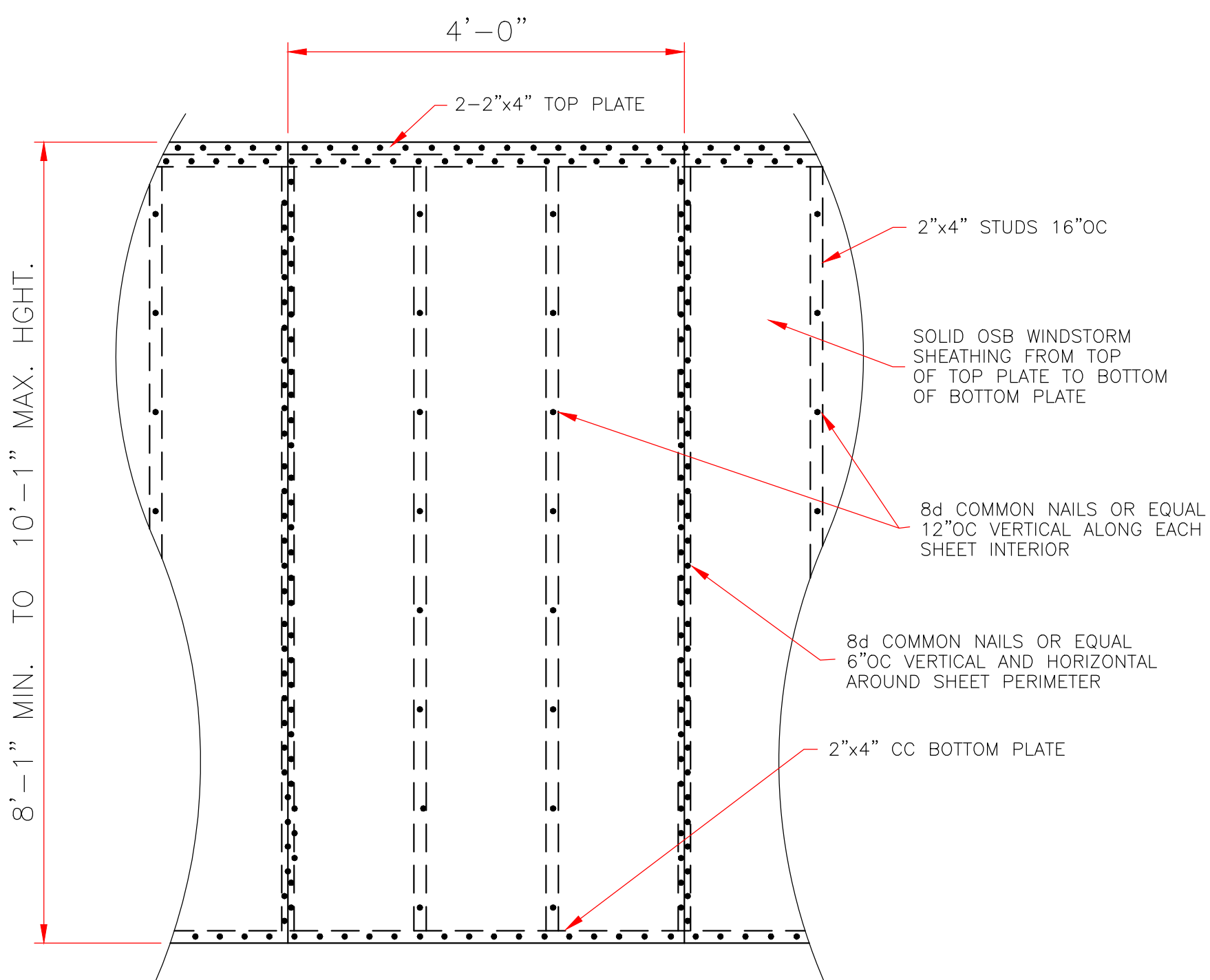
WINDOWS IN BUILDING LOCATED IN WIND BORNE DEBRIS REGIONS SHALL HAVE GLAZED OPENINGS PROTECTED FROM WIND BORNE DEBRIS. WOOD STRUCTURAL PANELS WITH A MIN. THICKNESS OF 1/2" AND A MAX. SPAN OF 8 FEET SHALL BE PERMITTED FOR OPENING PROTECTION IN ONE AND TWO STORY BUILDINGS. PANELS SHALL BE PRECUT TO COVER THE GLAZED OPENINGS WITH ATTACHMENT HARDWARE PROVIDED.



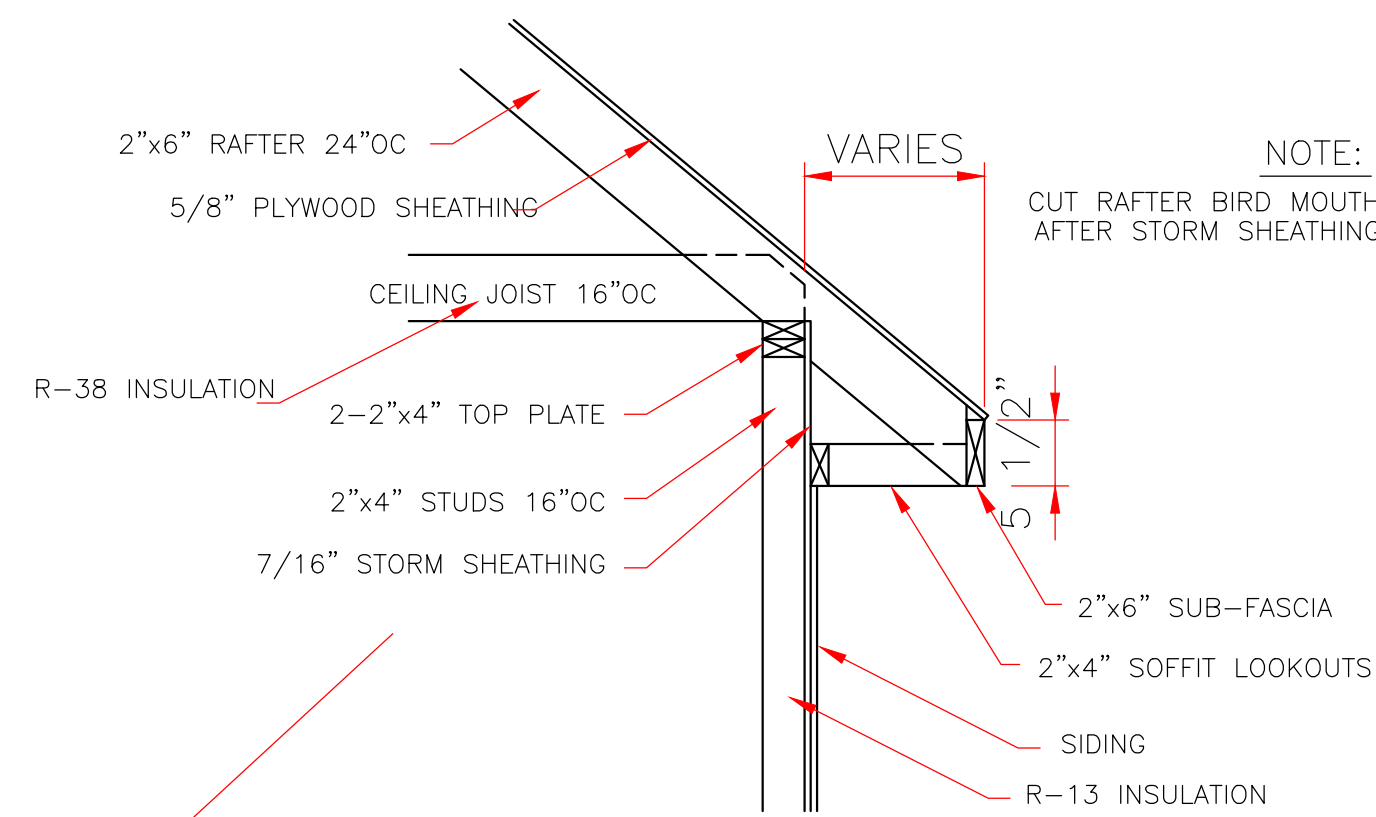
TYPICAL ROOF BRACING DETAIL
NOT TO SCALE



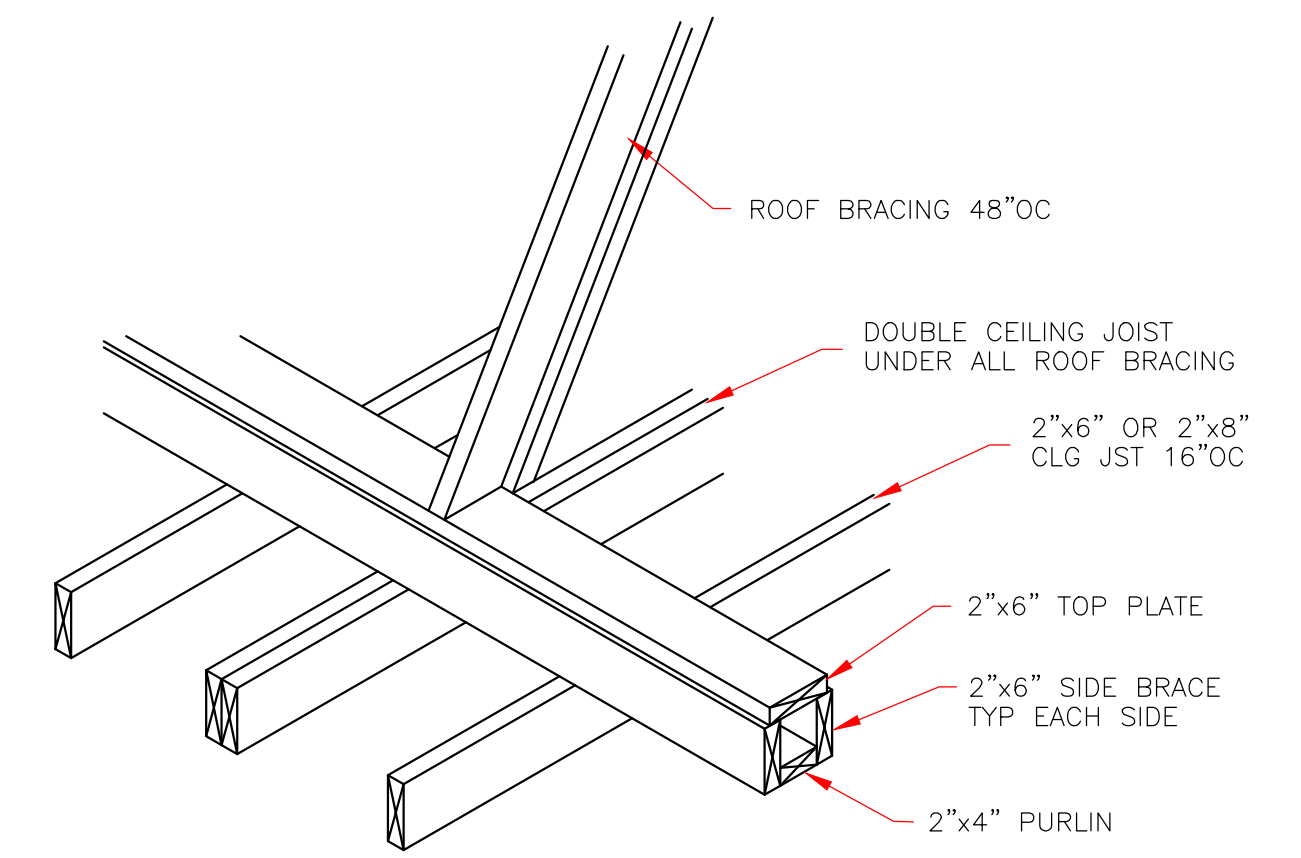
RAFTER TO TOP PLATES
NOT TO SCALE



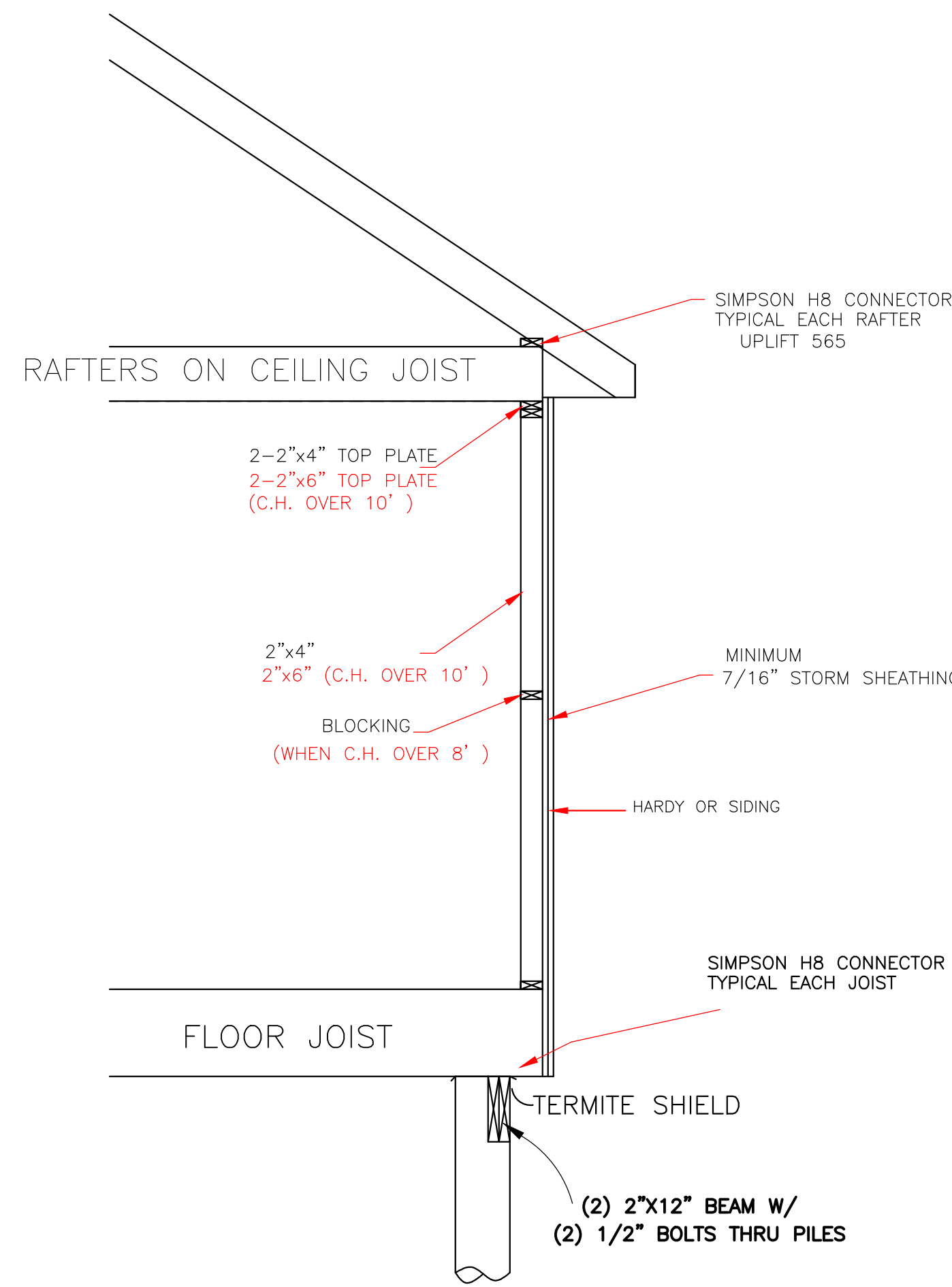
7/16" STORM SHEATHING
TYPICAL ALL EXTERIOR WALLS
SCALE: 3/4" = 1'-0"



ROOF SOFFIT DETAIL
SCALE: 3/4" = 1'-0"
WITH FRAME CONSTRUCTION



STRONGBACK DETAIL
FOR 2"x6" OR 2"x8" JOIST
NOT TO SCALE



SEE FOUNDATION DETAIL
CONTINUOUS LOAD PATH
1/2" SCALE

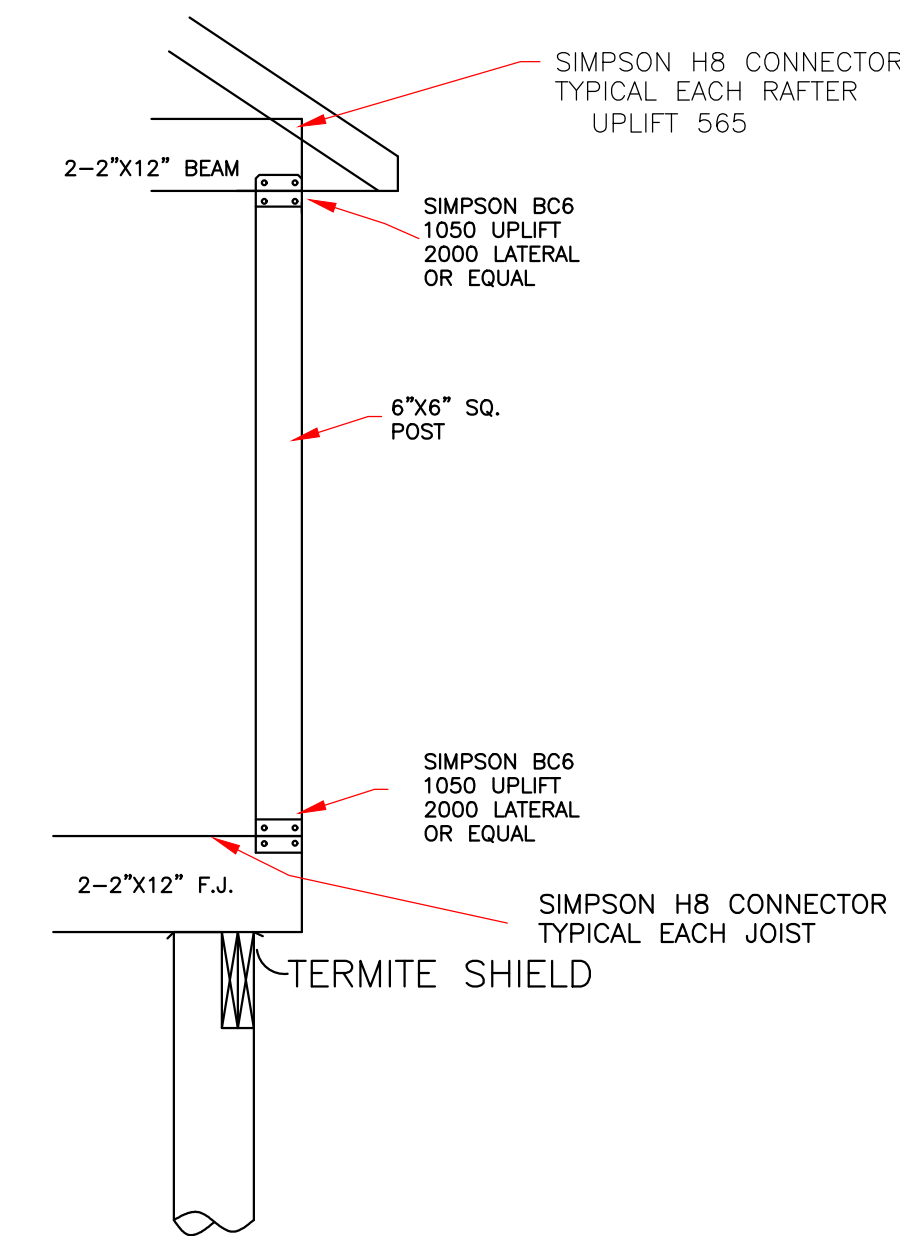
CODE COMPLIANCE:

WIND SPEED 130 MPH.

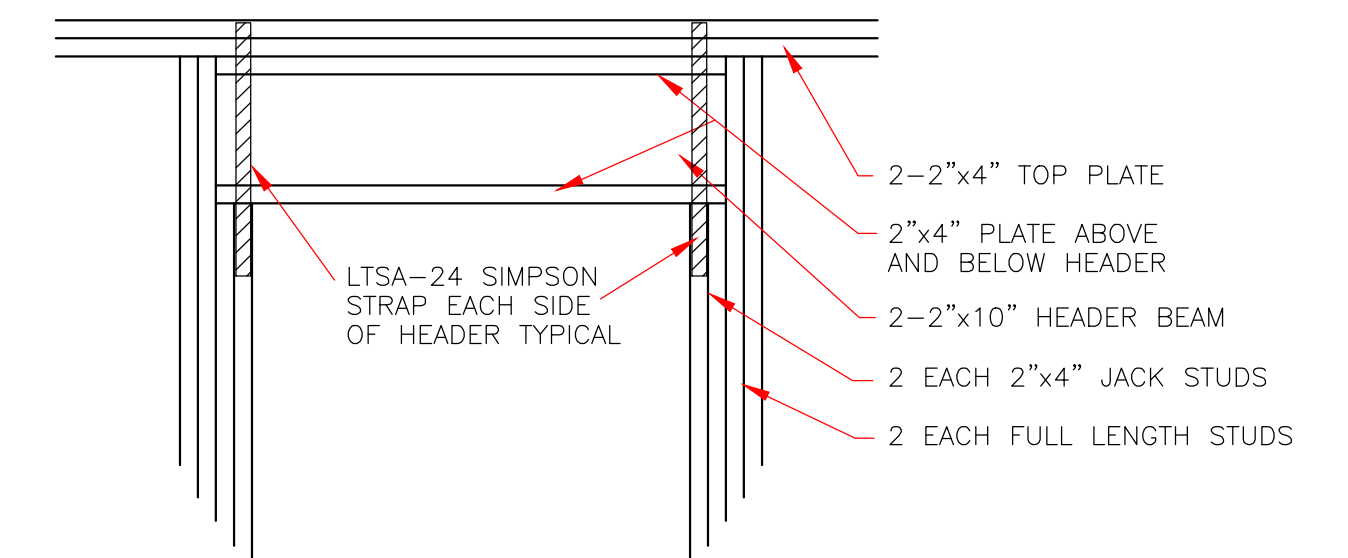
1. THE 2015 INTERNATIONAL RESIDENTIAL CODE.
2. WOOD FRAME CONSTRUCTION MANUAL FOR ONE AND TWO FAMILY DWELLINGS. (WFCM).
3. INTERNATIONAL CODE COUNCIL (ICC) STANDARD FOR RESIDENTIAL CONSTRUCTION IN HIGH WIND REGIONS (ICC600).



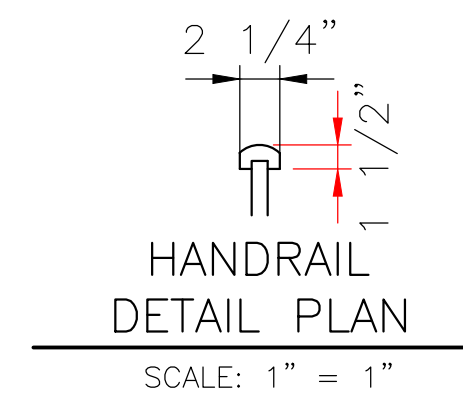
8/19/22



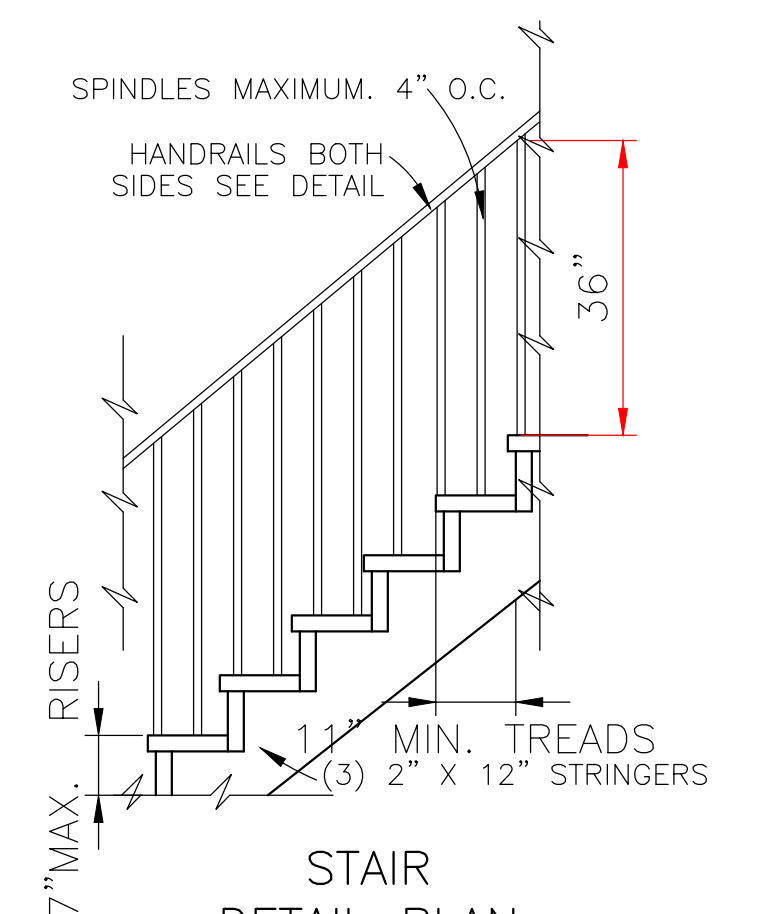
COLUMN SECTION
NOT TO SCALE



TYPICAL EXTERIOR DOOR OR WINDOW HEADER
SCALE: 3/4" = 1'-0"



HANDRAIL DETAIL PLAN
SCALE: 1" = 1"



STAIR DETAIL PLAN
SCALE: 1/2" = 1'-0"

THESE PLANS HAVE BEEN PROPERLY EXAMINED BY THE UNDERSIGNED. I HAVE DETERMINED THAT THEY COMPLY WITH THE FOLLOWING EXISTING STATE AND LOCAL BUILDING CODES FOR THE JURISDICTION IN WHICH THE RESIDENCE IS TO BE LOCATED.

	LARRY TRUMBATURI	GALIANO REALTY 6125 LAFAYE STREET ORLEANS PARISH, LA.
	8307 LAFITTE CT. CHALMETTE, LA 70043 504-279-3508	DATE 08/11/22 REV 08/18/22

IN THE EVENT THAT A DIMENSIONAL DISCREPANCY IN THE DRAWINGS IS DISCOVERED BY THE GENERAL CONTRACTOR, SUBCONTRACTORS, ENGINEER, CONSULTANT, OR A SUPPLIER, SAID PARTY SHALL IMMEDIATELY NOTIFY THE ARCHITECT AND SUSPEND ALL ASSOCIATED WORK UNTIL SUCH TIME THAT A PROPER DETERMINATION HAS BEEN MADE BY THE ARCHITECT, WITH APPROPRIATE INSTRUCTIONS FOR RESOLUTION OF THE ISSUE. FAILURE TO REPORT KNOWN DISCREPANCIES AND CONTINUING WITH THE WORK WITHOUT NOTIFYING THE ARCHITECT SHALL RESULT IN AN ASSUMPTION OF RESPONSIBILITY FOR CORRECTIVE WORK TO ACHIEVE THE INTENDED DESIGN.