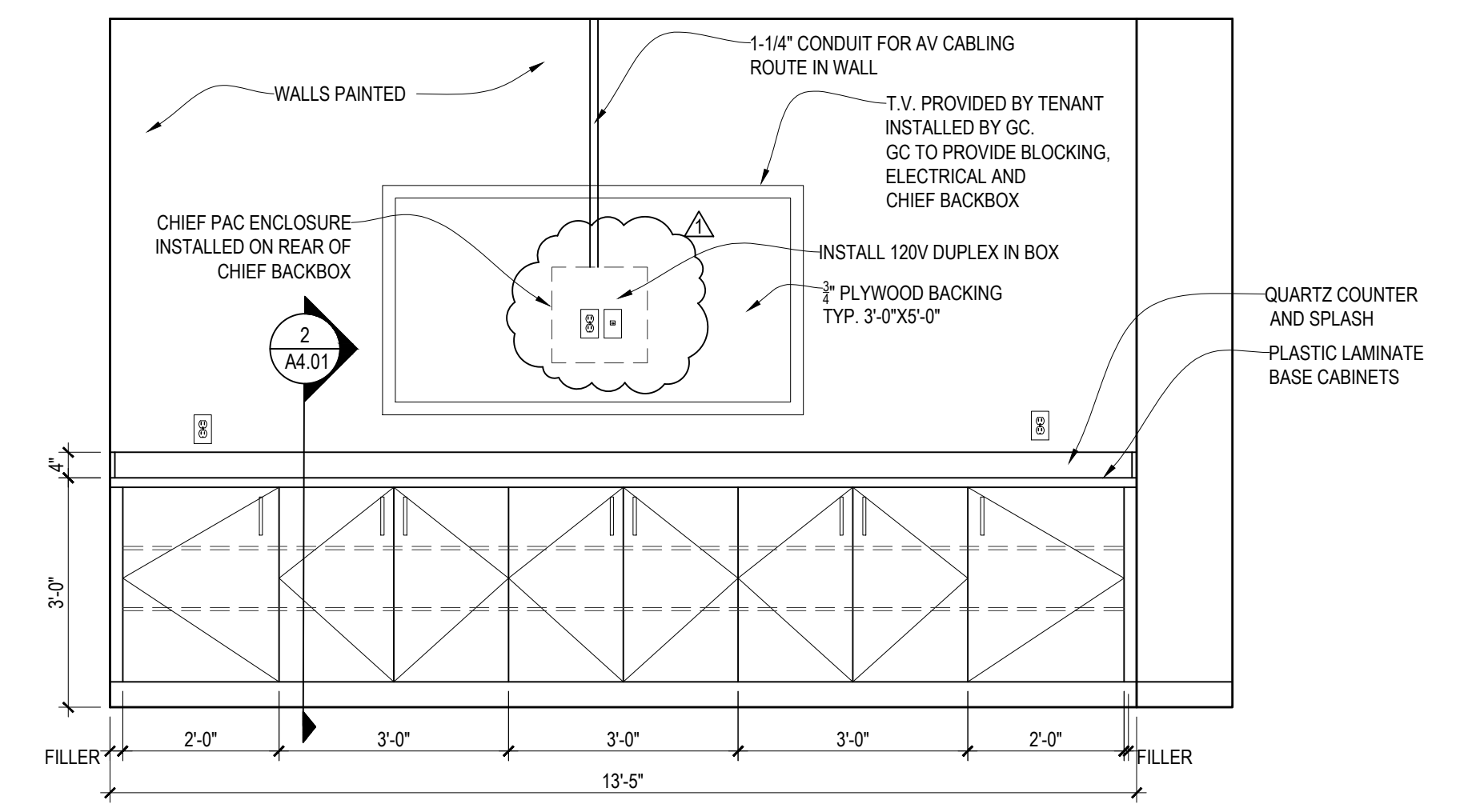




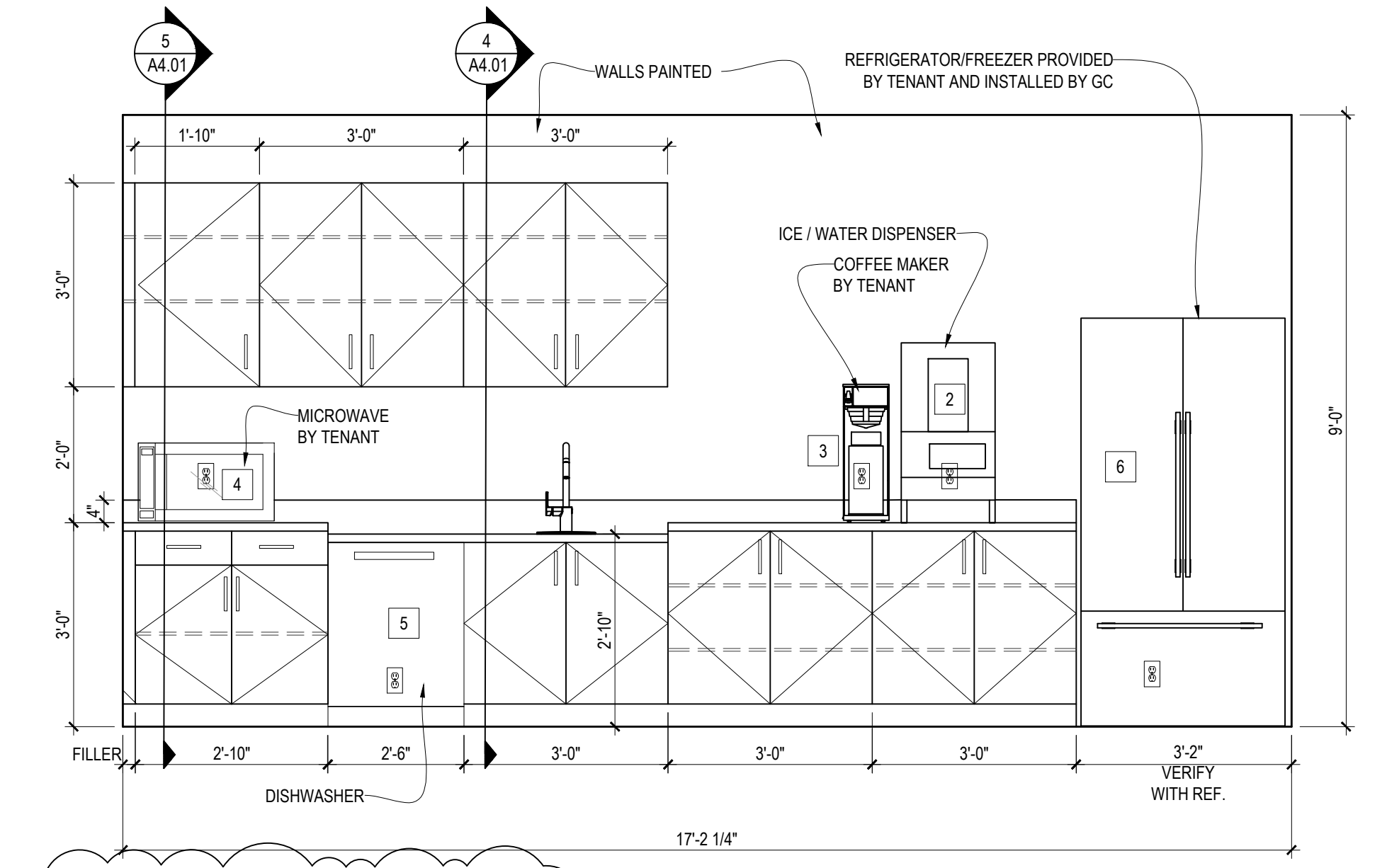
NEW ORLEANS, LOUISIANA
601 POYDRAS STREET

**PAN AMERICAN LIFE CENTER
SUITE 1850**

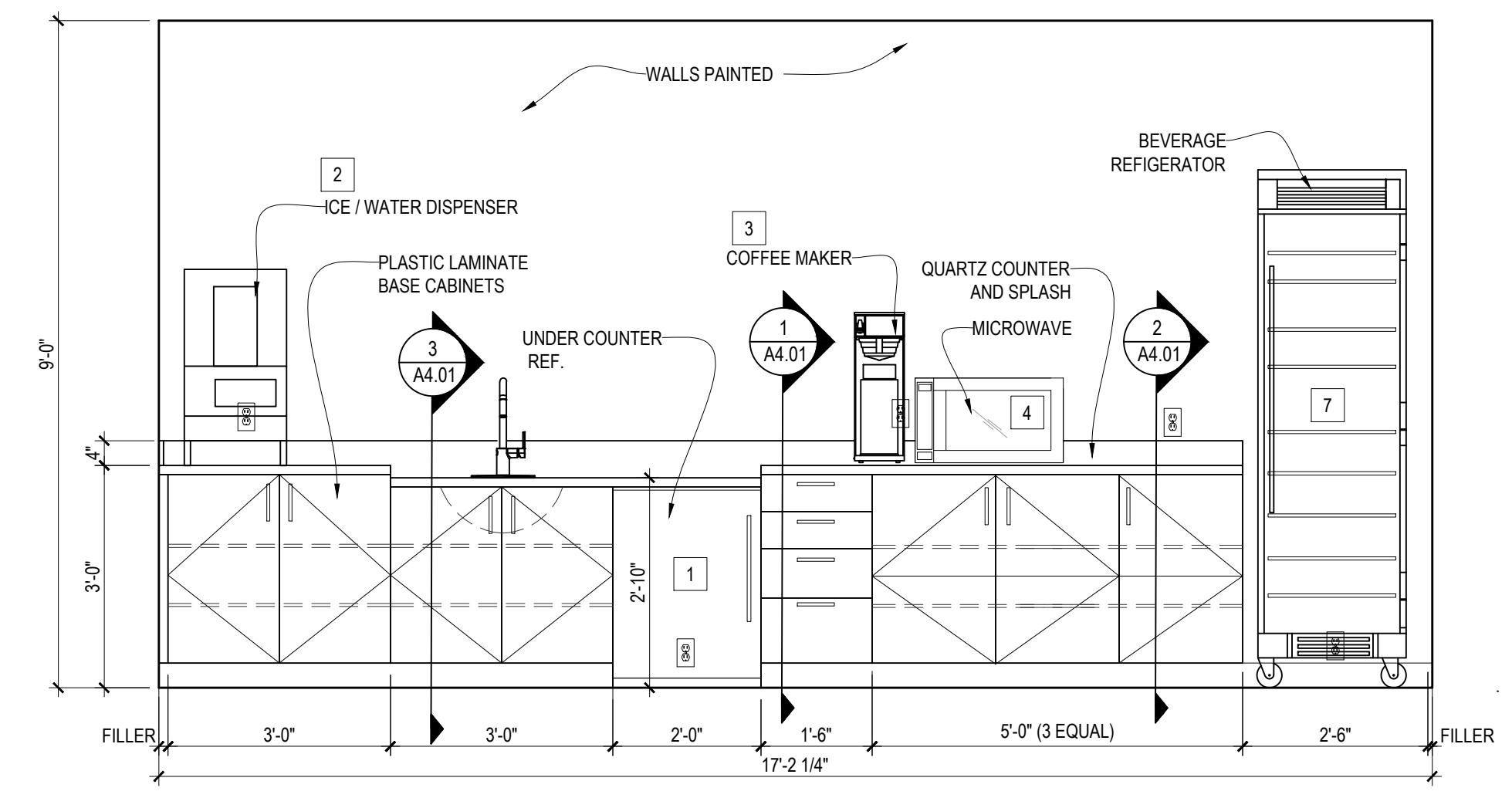
DATE ISSUED:	20 MAY 2022
REVISED:	8 AUGUST 2022
REVISED:	
REVISED:	
REVISED:	
DRAWN BY:	JBW
CHECKED BY:	CEV
PHASE:	CONSTRUCTION DOCUMENTS
TITLE:	21004-N INTERIOR ELEVATIONS
SHEET:	A4.00



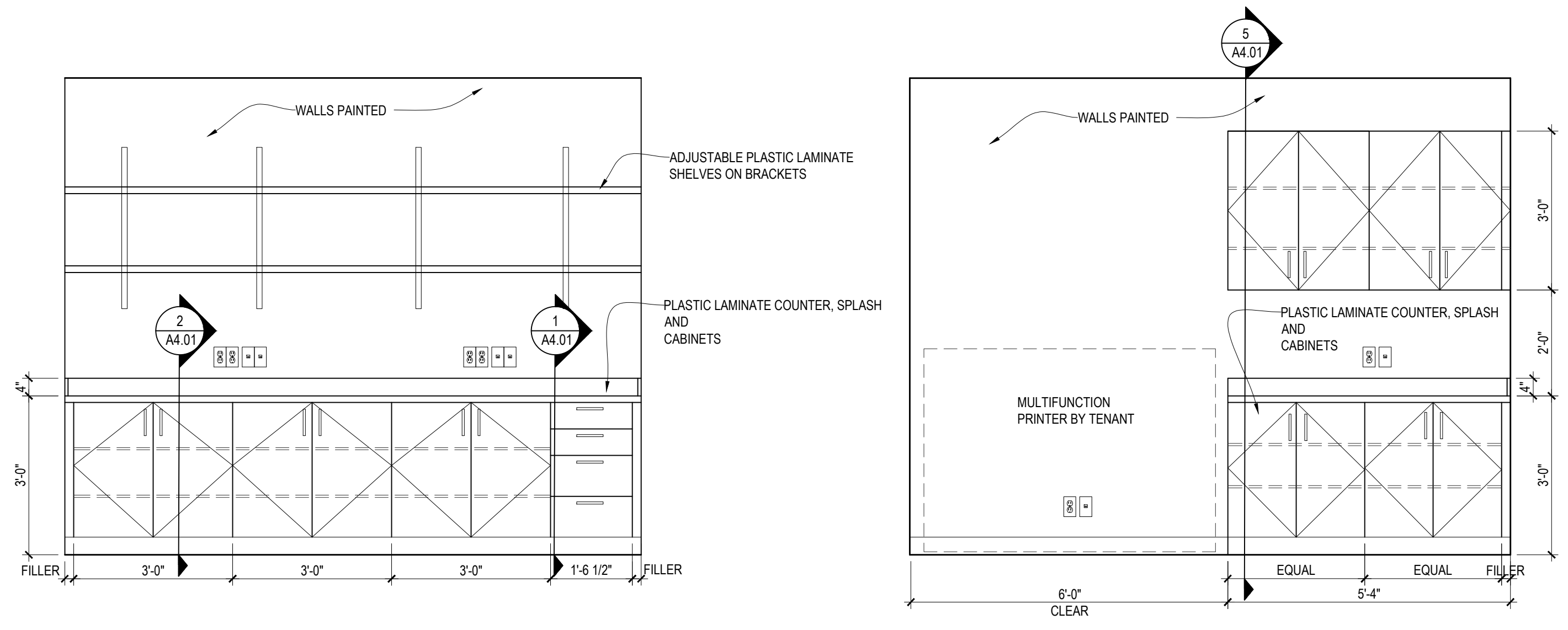
3 ELEVATION-CONFERENCE ROOM 101 - ELECTRICAL AT T.V. TYPICAL AT CONF. 101,102,&104
A4.00 1/2" = 1'-0"



2 ELEVATION-BREAK ROOM 106
A4.00 1/2" = 1'-0"

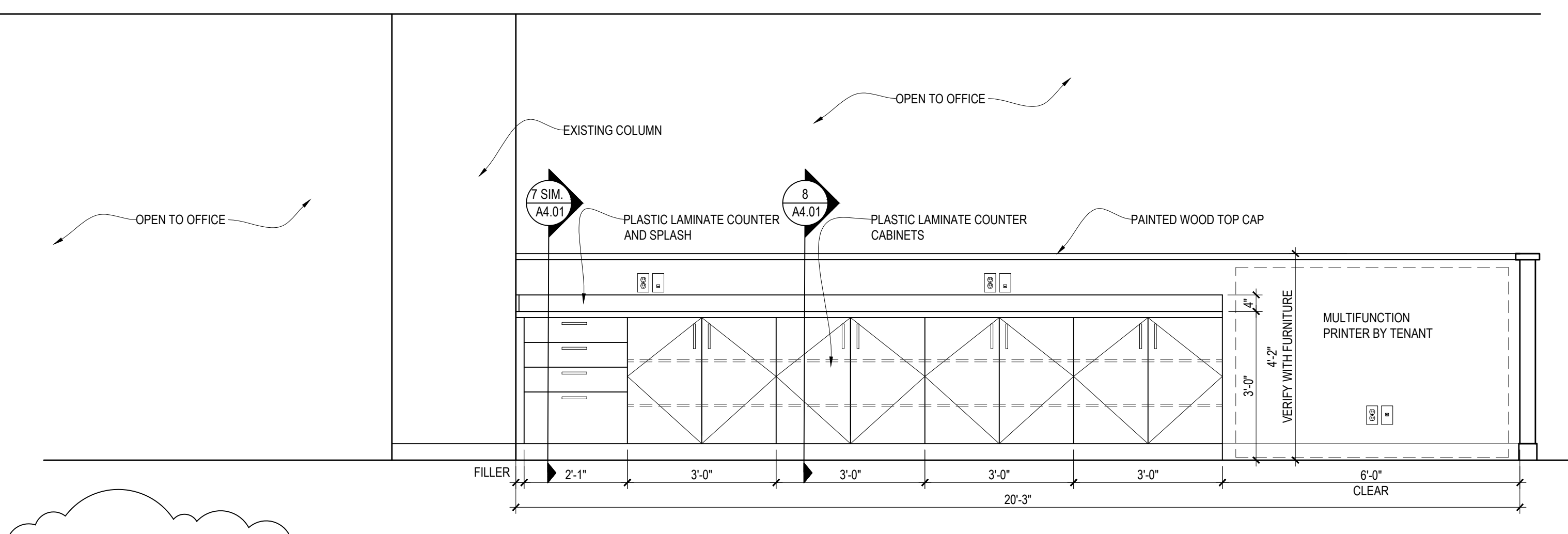


1 ELEVATION-HOSPITALITY 105
A4.00 1/2" = 1'-0" SEE APPLIANCE LIST ON A1.01



6 ELEVATION-DATA WORKROOM 109
A4.00 1/2" = 1'-0"

5 ELEVATION-COPY 111
A4.00 1/2" = 1'-0"



4 ELEVATION-COPY
A4.00 1/2" = 1'-0"