

# PLUMBING NOTES:

## GENERAL SCOPE:

1. ALL WORK SHALL BE IN STRICT ACCORDANCE WITH THE CITY OF NEW ORLEANS PLUMBING CODE, STATE AND FEDERAL LAWS, ORDINANCES AND CODES. THIS WORK SHALL BE DONE IN A NEAT AND PROFESSIONAL MANNER BY TECHNICIANS SKILLED IN THE PLUMBING INDUSTRY. ALL REQUIRED PERMITS TO BE OBTAINED BY THE PLUMBING CONTRACTOR. EXISTING SLAB IS A POST-TENSION SLAB THEREFORE NO HOLES SHALL BE CORED WITHOUT X-RAYING THE SLAB AND PRIOR APPROVAL FROM THE STRUCTURAL ENGINEER.
2. PATCHING AND PAINTING SHALL BE DONE BY THE GENERAL CONTRACTOR UNLESS OTHERWISE SPECIFIED.
3. COORDINATE WASTE, VENT, COLD AND HOT WATER LINES OR ANY OTHER ASSOCIATED WORK WITH THE GENERAL CONTRACTOR, OTHER TRADES AND OWNER'S REPRESENTATIVE PRIOR TO INSTALLING PIPES OR CUTTING OPENINGS.
4. PROVIDE ALL LABOR, MATERIALS, SERVICES, EQUIPMENT, LICENSES, TAXES, OTHER ITEMS, AND APPLIANCES NECESSARY FOR THE EXECUTION, INSTALLATION AND COMPLETION OF ALL WORK SPECIFIED HEREIN AND/OR SHOWN ON THE DRAWINGS, SUCH AS PIPE, FITTINGS, HANGERS, FIXTURES, DRAINS, P-TRAPS, INSERTS, FLASHING INSULATION, HARDWARE ETC. TO MAKE A FULLY FUNCTIONAL INSTALLATION OF THE WASTE & VENT, COLD WATER AND HOT WATER SYSTEMS. PROVIDE LABOR FOR THE PLUMBING ROUGH-IN OF ALL EQUIPMENT. SEE NOTES AND FLOOR PLAN.
5. SUBMIT SEVEN COPIES OF ALL PIPING, FITTINGS, FIXTURES, AND EQUIPMENT FOR REVIEW BY ARCHITECT AND ENGINEERS.

## INSULATION:

1. USE FLEXIBLE TUBULAR ELASTOMERIC FOR MOISTURE CONDENSATE DRAINS - 3/4" THICK.
2. GLASS FIBER INSULATION FOR DOMESTIC COLD AND HOT WATER SYSTEMS.
  - A. PROVIDE FACTORY-FORMED, FIBERGLAS PIPE INSULATED FACTOR-JACKETED "SYSTEM" TYPE SIMILAR TO OWENS-CORNING 25 ASJ HEAVY DENSITY, ONE PIECE, DUAL TEMPERATURE, PRE MOLDED INSULATION.
  - B. INSULATE ALL VALVES, FITTINGS AND FLANGES WITH 3-POUNDS DENSITY FIBERGLASS INSULATION TO A THICKNESS EQUAL TO THE ADJACENT PIPING INSULATION AND COVERED WITH PRE MOLDED 25/50 RATED PVC FITTINGS, VAPOR SEALED WITH CHILDERS CP-30 VAPOR BARRIER MASTIC.
  - C. JACKET TO BE FIBERGLASS REINFORCED KRAFT PAPER WITH ALUMINUM FOIL.

## PRODUCTS:

1. DOMESTIC WATER PIPING: SHALL BE TYPE L, HARD DRAWN, SEAMLESS, CONFORMING TO ASTM B88, COPPER PIPE. FITTINGS SHALL BE SWEAT TYPE, WROUGHT COPPER, ASTM B62. USE DIELECTRIC COUPLERS OR BRASS UNION CONNECTIONS OR AT JUNCTION OF STEEL PIPE AND EQUIPMENT WITH COPPER PIPING SYSTEMS.
2. WASTE AND VENT SYSTEMS: SHALL BE STANDARD WEIGHT NO-HUB PIPE CONFORMING TO CISPI 301-85 AND ASTM A74-87 WITH DRAINAGE FITTINGS. JOINTS SHALL BE NO-HUB CLAMP, (HUSKY, CLAMP-ALL, MG, OR APPROVED EQUAL STANDARD STAINLESS STEEL N-HUB COUPLINGS.
3. SLEEVES: PROVIDE SCHEDULE 10 OR 40 STEEL PIPE.
4. ESCUTCHEONS: CHROME PIPE ESCUTCHEONS, SLIP-ON OR SPLIT TYPE WHERE PIPE PASSING THROUGH FINISHED WALLS MAY BE VISIBLE.
5. PIPE SADDLES TO BE 18 GAUGE SHEET METAL OR GALVANIZED INSTALLED TO PROTECT INSULATION AS REQUIRED.

## INSTALLATION-GENERAL:

1. CLEAN INSIDE OF PIPE BEFORE INSTALLING IT. KEEP INSTALLED PIPING CLEAN AND PROTECT ENDS FROM FOREIGN MATTER BY CAPPING OR PLUGGING THEM. INSTALL PIPE SO THAT IT DOES NOT INTERFERE WITH OPENING OF DOORS OR APPARATUS; ACCESS TO EQUIPMENT; ANY PORTION OF ELECTRICAL EQUIPMENT. RUN PIPES IN STRAIGHT LINES AND SQUARE WITH BUILDING. INSTALL RISER VERTICALLY PLUMB.
2. PROVIDE FLANGES AND UNIONS THROUGH THE PIPE SYSTEM TO MAKE INSTALLATION AND REMOVAL OF PIPING AND EQUIPMENT CONVENIENT.
3. SLOPE WASTE PIPES MIN. 1/8" PER FOOT.
4. VALVES LOCATIONS: LOCATE SHUT OFF AND CONTROL VALVES FOR EASY ACCESS AND OPERATION. WHERE VALVES ARE LOCATED IN ENCLOSED SPACES, ACCESS DOORS SHALL BE INSTALLED BY G.C. AND LOCATED BY PLUMBING CONTRACTOR.
5. CLEANING: BEFORE PIPING IS ACCEPTED BY THE ARCHITECT, CLEAN AND STERILIZE THE PIPING SYSTEMS AS DESCRIBED IN SPECIFICATIONS. PRESENT TEST RESULTS OF STERILIZATION TO ARCHITECT PRIOR TO ACCEPTANCE OF SYSTEM.

## PLUMBING DEMOLITION NOTES

1. CONTRACTOR SHALL REMOVE ALL EXISTING PLUMBING LINES TO THE MAINS IN 14TH FLOOR BREAK ROOM AREA. THIS INCLUDES WATER, WASTE, AND VENT PIPING SERVING EXISTING FIXTURES AND/OR CONNECTIONS TO EQUIPMENT ON THESE FLOORS. REMOVE ALL EXISTING PLUMBING PIPING THAT IS NO LONGER USED FOR THIS SCOPE OF WORK BACK TO THE MAINS. CAP WASTE AND VENT LINES AND VALVE COLD WATER LINES CLOSE TO MAIN SERVICE LINES ABOVE CEILINGS. EXISTING PLUMBING FIXTURES AND RELATED ITEMS WHICH ARE TO BE REMOVED SHALL BE SUBMITTED TO THE OWNER. ITEMS THE OWNER WISHES TO RETAIN SHALL BE DELIVERED TO STORAGE WHERE DIRECTED BY OWNER. ITEMS THE OWNER DOES NOT WISH TO RETAIN SHALL BE LEGALLY DISPOSED.
2. PLUMBING CONTRACTOR SHALL FIELD VERIFY ALL EXISTING PLUMBING TO REMAIN ACTIVE FOR THE 14TH FLOOR. WATER LINES, WASTE AND VENT LINES THAT ARE SERVING OTHER FLOORS (BELOW THE 12TH FLOOR AND ABOVE THE 14TH FLOOR) SHALL REMAIN ACTIVE.
3. PENETRATIONS THROUGH EXISTING PARTITIONS AND FLOORS SHALL BE SLEEVED AND SEALED TO MAINTAIN INTEGRITY OF EXISTING PARTITIONS AND FLOOR RATING.
4. CONTRACTOR SHALL COORDINATE THE INTERRUPTION OF EXISTING SERVICES WITH THE OWNER, PRIOR TO CONSTRUCTION.
5. EXISTING FIXTURES, EQUIPMENT CONNECTIONS, AND SERVICE LINES SHALL BE VERIFIED FOR EXACT LOCATIONS AND SIZE. IF DEVIATIONS ARE FOUND, CONTRACTOR SHALL BRING THEM TO THE ARCHITECT'S ATTENTION FOR CORRECTION.
6. CONTRACTOR SHALL BE RESPONSIBLE FOR COORDINATING ANY EXISTING PLUMBING THAT IS IN CONFLICT WITH NEW CEILING HEIGHTS. PIPING SHALL BE RAISED IF REQUIRED TO AVOID NEW CONFLICTS.
7. DEMOLITION NOTES ARE AN ATTEMPT TO INDICATE THE MAGNITUDE OF PLUMBING DEMOLITION. PLUMBING CONTRACTOR SHALL COORDINATE WITH OWNER TO IDENTIFY ALL PIPING THAT IS NOT IN USE AND REMOVE AND CAP PIPING AS REQUIRED.

PLUMBING FIXTURE SCHEDULE				
NO.	DESCRIPTION	SIZE, CW	SIZE, HW	WASTE
SK-1	SINGLE COMPARTMENT SINK, STAINLESS STEEL, DROP-IN, 25" X 22" X 9", ELKAY MODEL ECTSR25229TBG, 18 GAUGE 304 STAINLESS STEEL WITH A BRUSHED SATIN FINISH, CENTER DRAIN PLACEMENT, SINGLE HOLE CONFIGURATION, AND BOTTOM PADS ONLY. FAUCET SHALL BE MOEN MODEL 7965, METAL CONSTRUCTION SINK FAUCET WITH A STAINLESS STEEL FINISH. 1/2 X 3/8 X 3/8" COLD WATER SUPPLY ANGLE STOPS AND STAINLESS STEEL FLEX RISER CONNECTIONS. PROVIDE 1 1/2" BASKET STRAINER WITH THREADED JOINT. PROVIDE THERMOSTATIC MIXING VALVE AS NECESSARY. MAINTAIN 31" CLEAR UNDER FAUCET.	1/2	1/2	1-1/2
SK-3	SINGLE COMPARTMENT SINK, STAINLESS STEEL, UNDERMOUNT, 25" X 22" X 9", ELKAY MODEL ECTSR25229TBG, 18 GAUGE 304 STAINLESS STEEL WITH A BRUSHED SATIN FINISH, CENTER DRAIN PLACEMENT, SINGLE HOLE CONFIGURATION, AND BOTTOM PADS ONLY. FAUCET SHALL BE MOEN MODEL 7965, METAL CONSTRUCTION SINK FAUCET WITH A STAINLESS STEEL FINISH. 1/2 X 3/8 X 3/8" COLD WATER SUPPLY ANGLE STOPS AND STAINLESS STEEL FLEX RISER CONNECTIONS. PROVIDE 1 1/2" BASKET STRAINER WITH THREADED JOINT. PROVIDE THERMOSTATIC MIXING VALVE AS NECESSARY. MAINTAIN 31" CLEAR UNDER FAUCET.	1/2	1/2	1-1/2
IMB-1	ICE MAKER BOX HOOK-UP, SPACE SAVER, GUY GRAY MODEL NO. BIM875	1/2	-	-
FCO	CLEANOUT, ROUND NICKEL BRONZE TOP, DUCO CAST IRON CLEANOUT WITH ROUND COVER. JAY R. SMITH OR APPROVED EQUAL. MODEL 4020 SFC. COORDINATE COVER FINISH WITH ARCHITECT.	1/2	-	-

## NOTES:

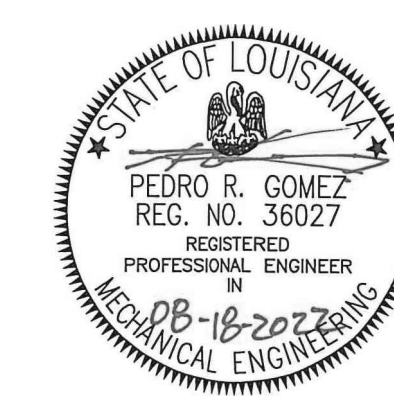
1. COMPLIANCE WITH PROJECT ACCESSIBILITY REQUIREMENTS FOR FIXTURES WITHIN THIS SCHEDULE TO BE CONFIRMED BY ARCHITECT AND/OR ACCESSIBILITY CONSULTANT.
2. CONTRACTOR SHALL VERIFY DRAIN COMPATIBILITY WITH CONSTRUCTION TYPE PRIOR TO INSTALLATION OR PROCUREMENT.
3. FURNISH AND INSTALL PVC UNDERSINK PIPE PROTECTION COVERS (TRUEBRO OR EQUIVALENT) ON ALL DRAINAGE, HOT AND COLD WATER VALVE(S) AND SUPPLY PIPING UNDER LAVATORIES TO COMPLY WITH ADA AND CODE STANDARDS. COVERS SHALL BE SECURED BY JOINING INTERNAL HOOK AND LOOP FASTENING SYSTEM. SNAP-TO-LOCK FASTENERS MAY BE USED FOR IMPROVED TAMPER RESISTANCE.
4. PROVIDE MOUNTING HARDWARE, SUPPORTS, BRACKETS, ETC. AS REQUIRED BY THE FIXTURE MANUFACTURER FOR PROPER INSTALLATION.

PIPING MATERIALS SCHEDULE	
PLUMBING SYSTEM	PLUMBING MATERIAL DESCRIPTION
SANITARY DRAIN PIPING	STANDARD WEIGHT CAST IRON PIPE, W/ NO-HUB JOINTS (ABOVE SLAB)
VENT PIPING	STANDARD WEIGHT CAST IRON PIPE, W/ NO-HUB JOINTS (ABOVE SLAB)
DOMESTIC WATER PIPING	TYPE 'L' COPPER TUBING, W/ WROUGHT COPPER FITTINGS

INSTANTANEOUS WATER HEATER SCHEDULE				
DESIG.	TANKLESS	INPUT KW	V/PH/HZ	MANUFACTURER - MODEL NUMBER
EWB-1	INSTANTANEOUS	8.3	277/1/60	CHRONOMITE CM-30L/277, OR PRIOR APPROVED EQUAL MOUNTED INSIDE OF CABINET.
EWB-2	INSTANTANEOUS	4.2	277/1/60	CHRONOMITE CM-20L/277-ADJ-MM, OR PRIOR APPROVED EQUAL MOUNTED INSIDE OF CABINET.

## NOTES:

1. INSTALL PER EQUIPMENT MANUFACTURER'S RECOMMENDATIONS AND IN ACCORDANCE WITH CURRENTLY ADOPTED CODES AND STANDARDS.
2. PROVIDE FIELD ADJUSTABLE TEMPERATURE. HEATER DISCHARGE WATER TEMPERATURE SHALL NOT EXCEED 140°F.
3. PROVIDE IAPMO CERTIFIED MIXING VALVE ASSEMBLY. (ASSE 1070 CERTIFIED / SET AT 110°F).



PAN AMERICAN LIFE CENTER  
SUITE 1850

NEW ORLEANS, LOUISIANA

601 FOYDRAS STREET

DATE ISSUED: 20 MAY 2022

REVISED: 18 AUGUST 2022

REVISED: 19 AUGUST 2022

REVISED:

REVISED:

DRAWN BY:

CHECKED BY:

PHASE:

CONSTRUCTION DOCUMENTS

21004-N

TITLE:

GENERAL NOTES, SCHEDULES - PLUMBING

SHEET:

P1.01



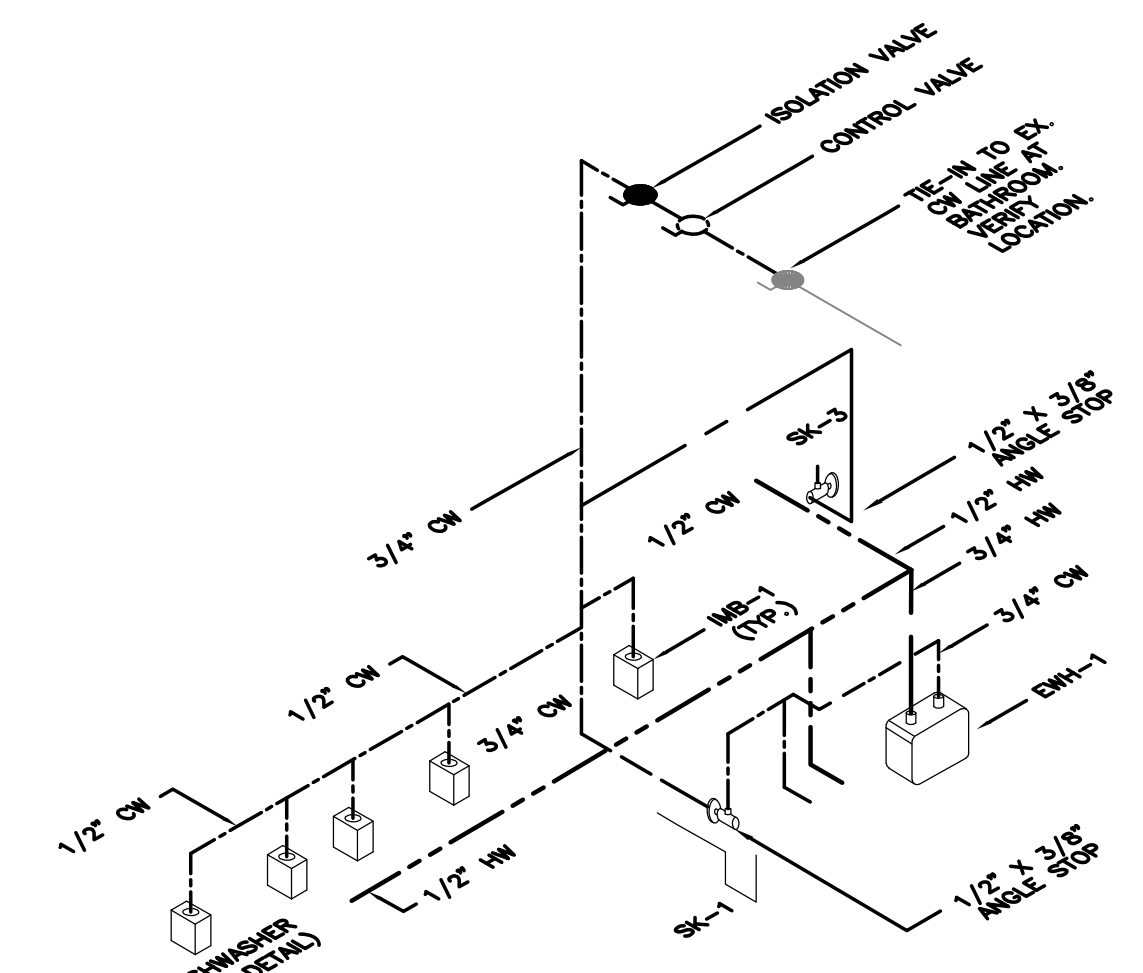
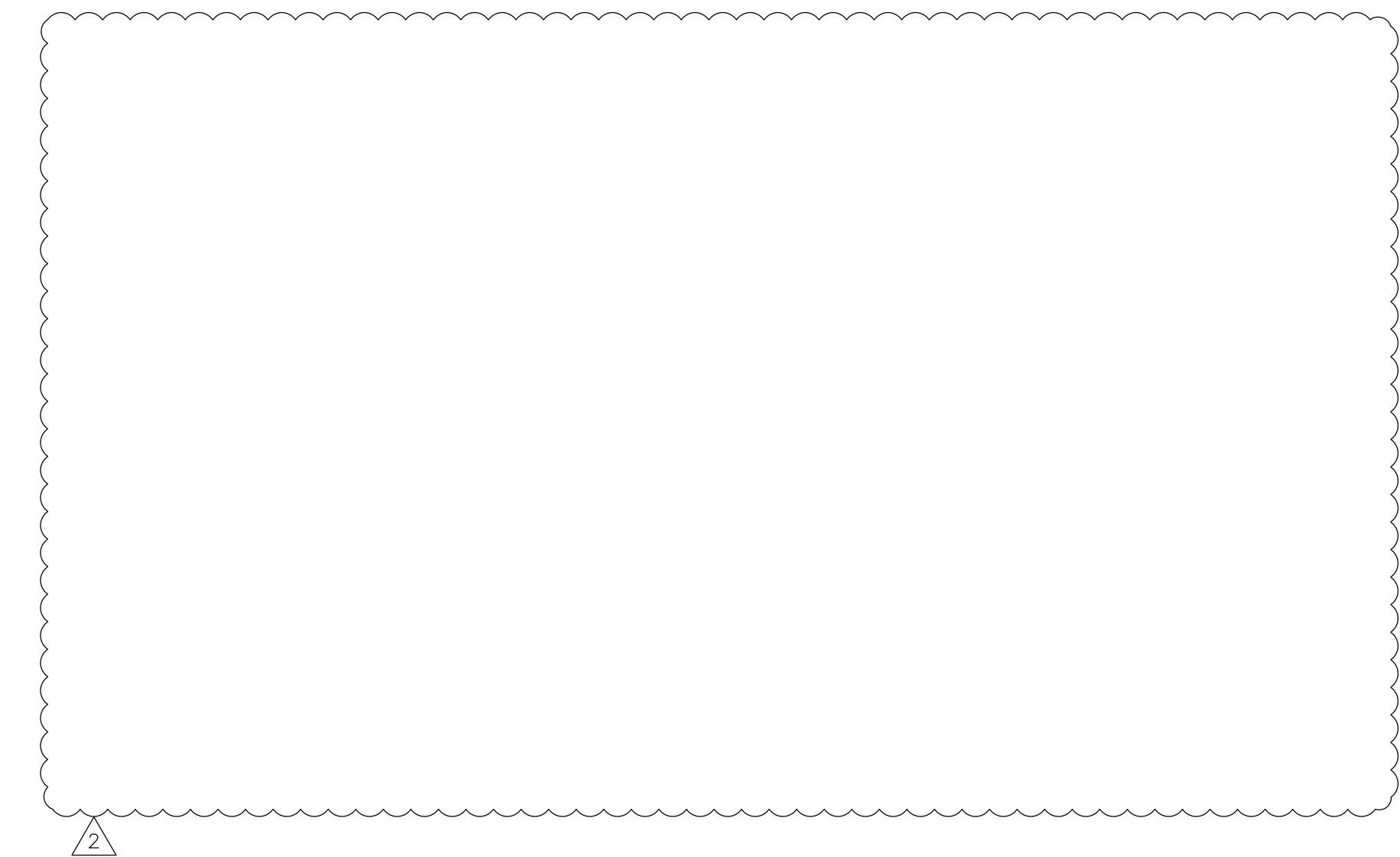
MECHANICAL ELECTRICAL PLUMBING FIRE PROTECTION  
3501 N CAUSEWAY BLVD. (504) 456-3119  
SUITE 710, METAIRIE, LA 70002  
Job No. 2202301  
Drawn By: GP  
Designed By: GP  
Checked By: J/RS



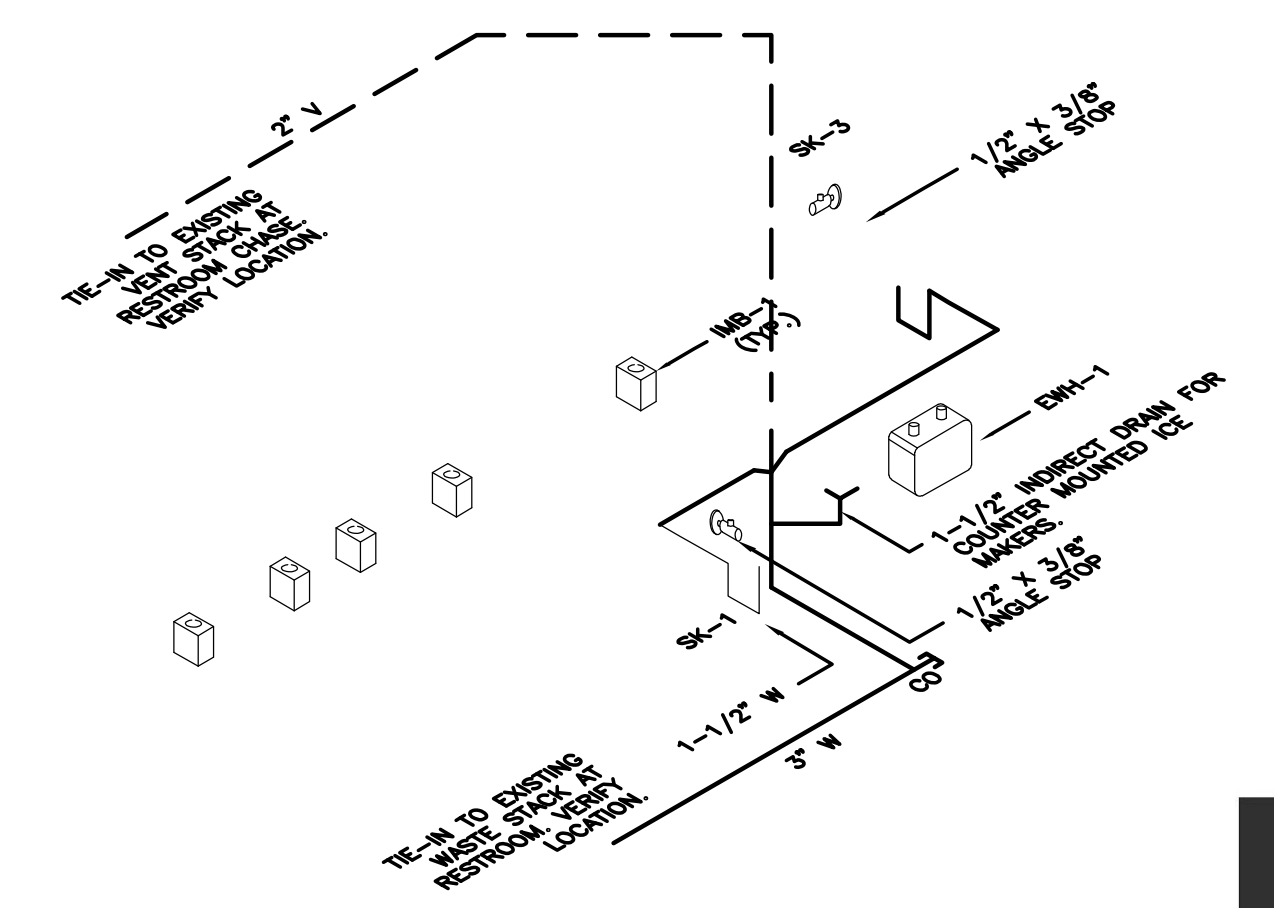
PAN AMERICAN LIFE CENTER  
 SUITE 1850  
 601 POYDRAS STREET  
 NEW ORLEANS, LOUISIANA

**NOTES TO CONTRACTOR:**

1. VERIFY EXISTING CONDITIONS PRIOR TO BIDDING.
2. CONNECT NEW SINK TO EXISTING WASTE AND VENT STACKS.
3. PROVIDE ICE MAKER BOX FOR COFFEE MAKER, ICE MAKER, AND REFRIGERATOR. SEE DETAIL.
4. ROUTE DRAIN FROM COUNTER-MOUNTED ICE MAKER TO NEW INDIRECT DRAIN ON EXISTING WASTE STACK. PROVIDE P-TRAP AT STACK.



**3** BREAKROOM/HOSPITALITY - CW/HW RISER  
P2.00 NTS



**1** NEW 18TH FLOOR PLAN - PLUMBING  
P2.00 1/8"=1'-0"

**2** BREAKROOM/HOSPITALITY - W/V RISER  
P2.00 NTS

**HUSEMAN**  
& Associates  
MECHANICAL ELECTRICAL PLUMBING FIRE PROTECTION  
3501 N CAUSEWAY BLVD. (504) 456-3119  
SUITE 710, METAIRIE, LA 70002  
Job No. 2202301  
Designed By GP  
Drawn By GP Checked By J/PC

DATE ISSUED:	20 MAY 2022
REVISED:	18 AUGUST 2022
REVISED:	19 AUGUST 2022
REVISED:	
REVISED:	
DRAWN BY:	
CHECKED BY:	
PHASE:	CONSTRUCTION DOCUMENTS
TITLE:	21004-N NEW 18TH FLOOR PLAN - PLUMBING
SHEET:	P2.00



DATE ISSUED: 20 MAY 2022

REVISED: 18 AUGUST 2022

REVISED: 19 AUGUST 2022

REVISED:

REVISED:

DRAWN BY:

CHECKED BY:

PHASE:

CONSTRUCTION  
DOCUMENTS

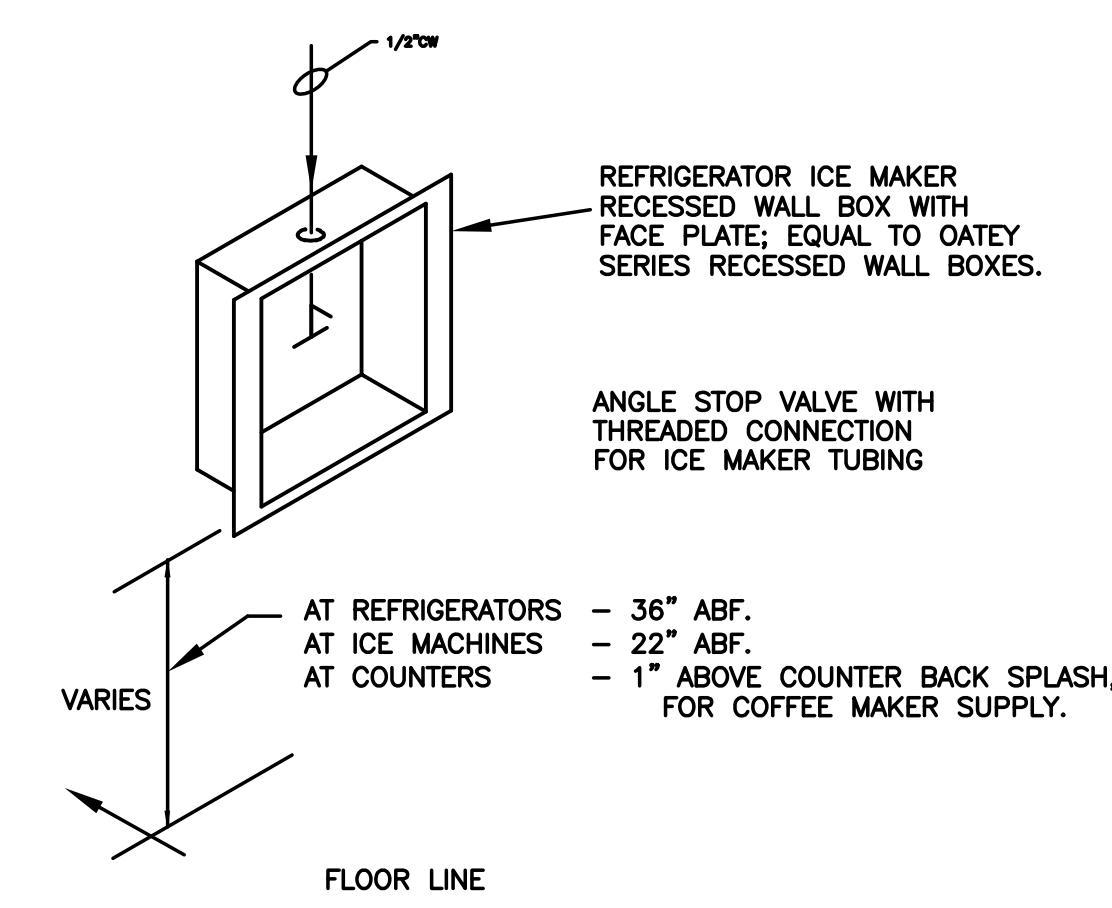
21004-N

TITLE:

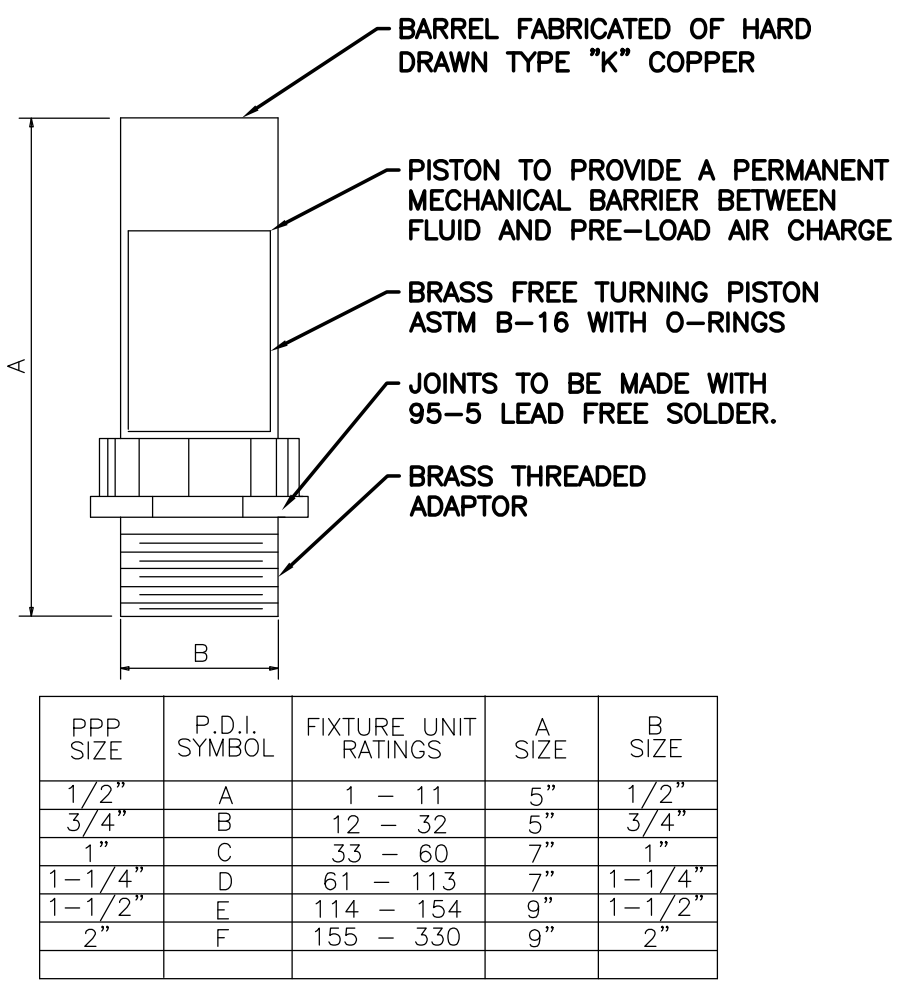
DETAILS - PLUMBING

SHEET:

P3.00

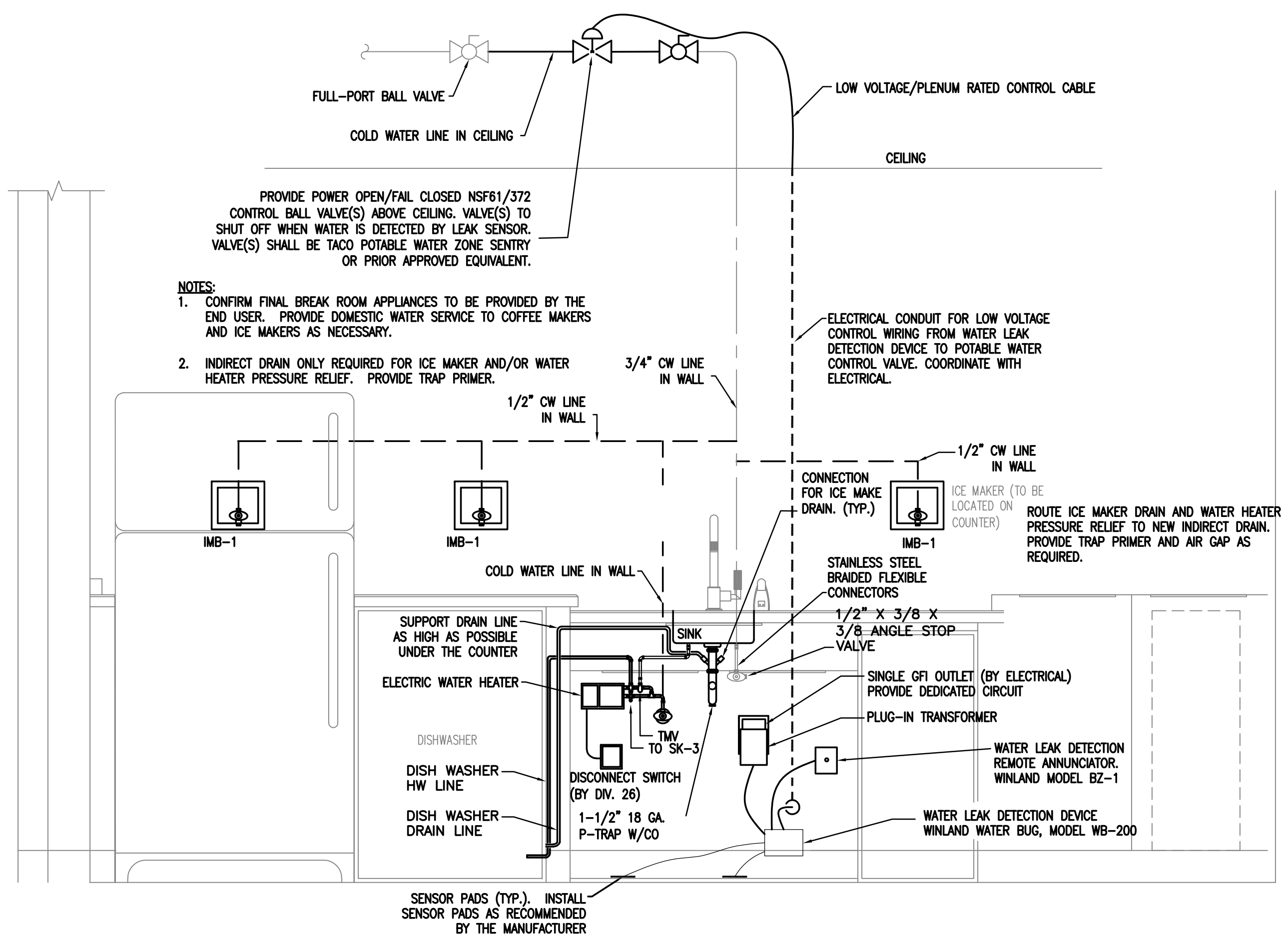


**RECESSED ICE MAKER BOX DETAIL**  
NOT TO SCALE

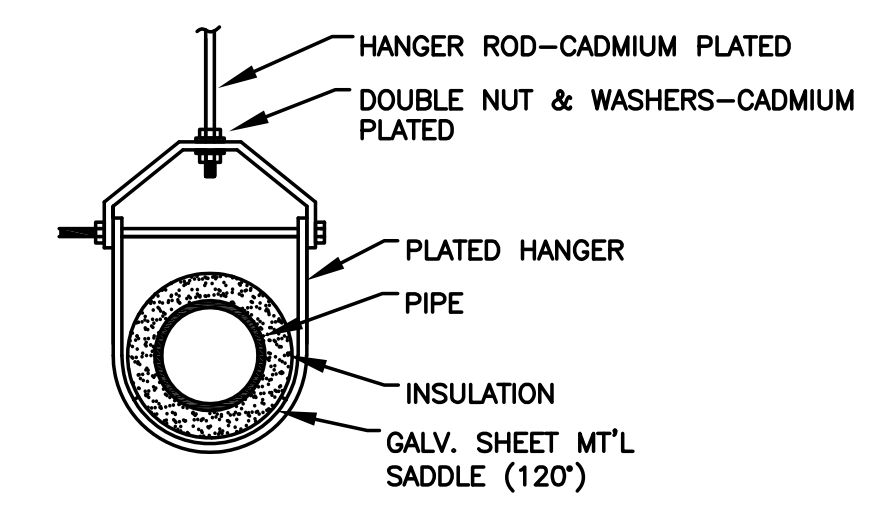


**WATER HAMMER ARRESTOR DETAIL**  
NOT TO SCALE

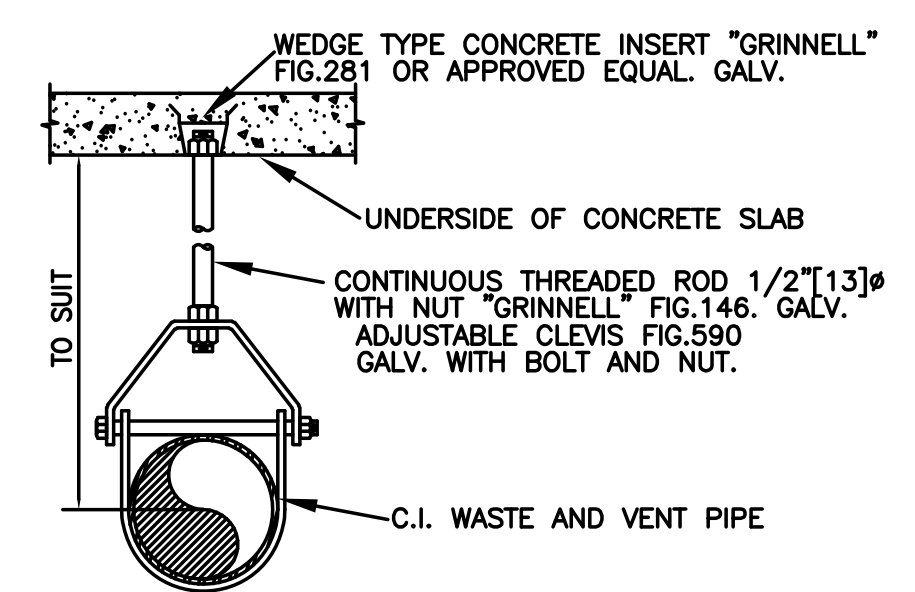
PPP SIZE	P.D.I. SYMBOL	FIXTURE UNIT RATINGS	A SIZE	B SIZE
1/2"	A	1 - 11	5"	1/2"
3/4"	B	12 - 32	5"	3/4"
1"	C	33 - 60	7"	1"
1-1/4"	D	61 - 113	7"	1-1/4"
1-1/2"	E	114 - 154	9"	1-1/2"
2"	F	155 - 330	9"	2"



**TYPICAL BREAK ROOM PLUMBING DETAIL - SIMILAR**  
NOT TO SCALE



**CLEVIS HANGER DETAIL**  
NOT TO SCALE



**CLEVIS HANGER DETAIL ABOVE GRADE WASTE & VENT PIPING**  
NOT TO SCALE



MECHANICAL ELECTRICAL PLUMBING FIRE PROTECTION  
3501 N CAUSEWAY BLVD. (504) 456-3119  
SUITE 710, METAIRIE, LA 70002  
Job No. 2202301 Designed By GP  
Drawn By GP Checked By J/PC