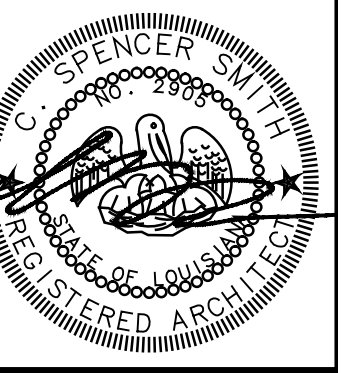


APPROVED

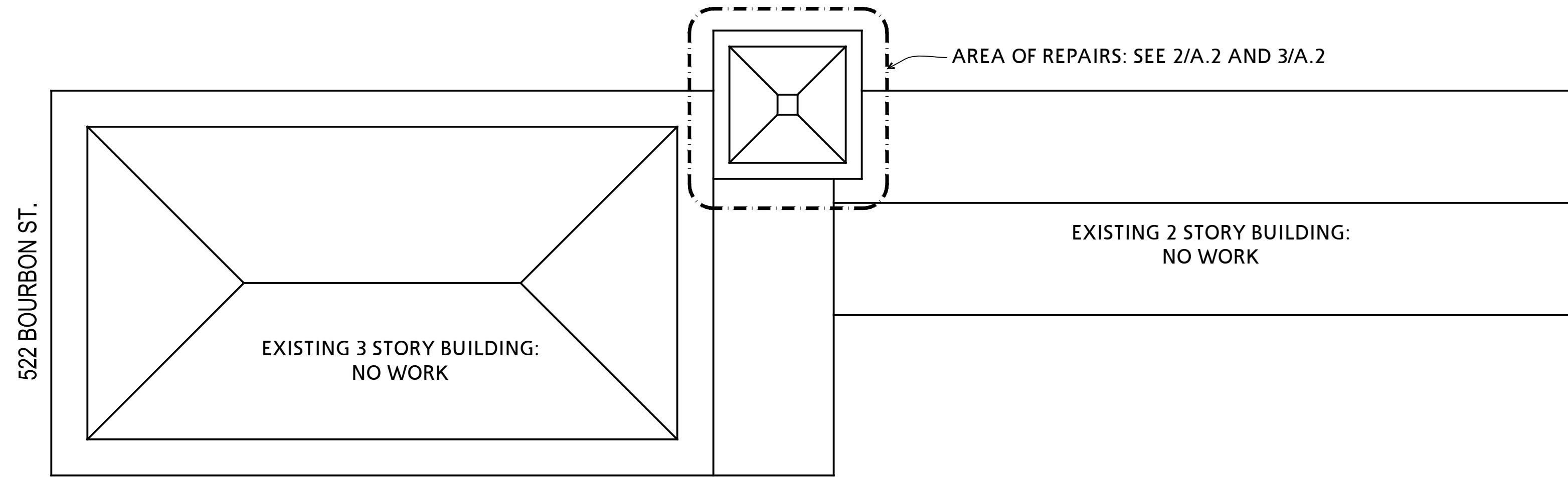


C. SPENCER SMITH, AIA
ARCHITECTS, A LIMITED LIABILITY COMPANY
1018 BIENVILLE STREET NEW ORLEANS, LA 70112
PHONE 504.566.0585 FAX 504.566.0587

FOR BID	00/00/00
FOR CONTRACT	
FOR CONSTRUCTION	
REVISIONS	DATE
CAD FILE	PROJ0002.DWG

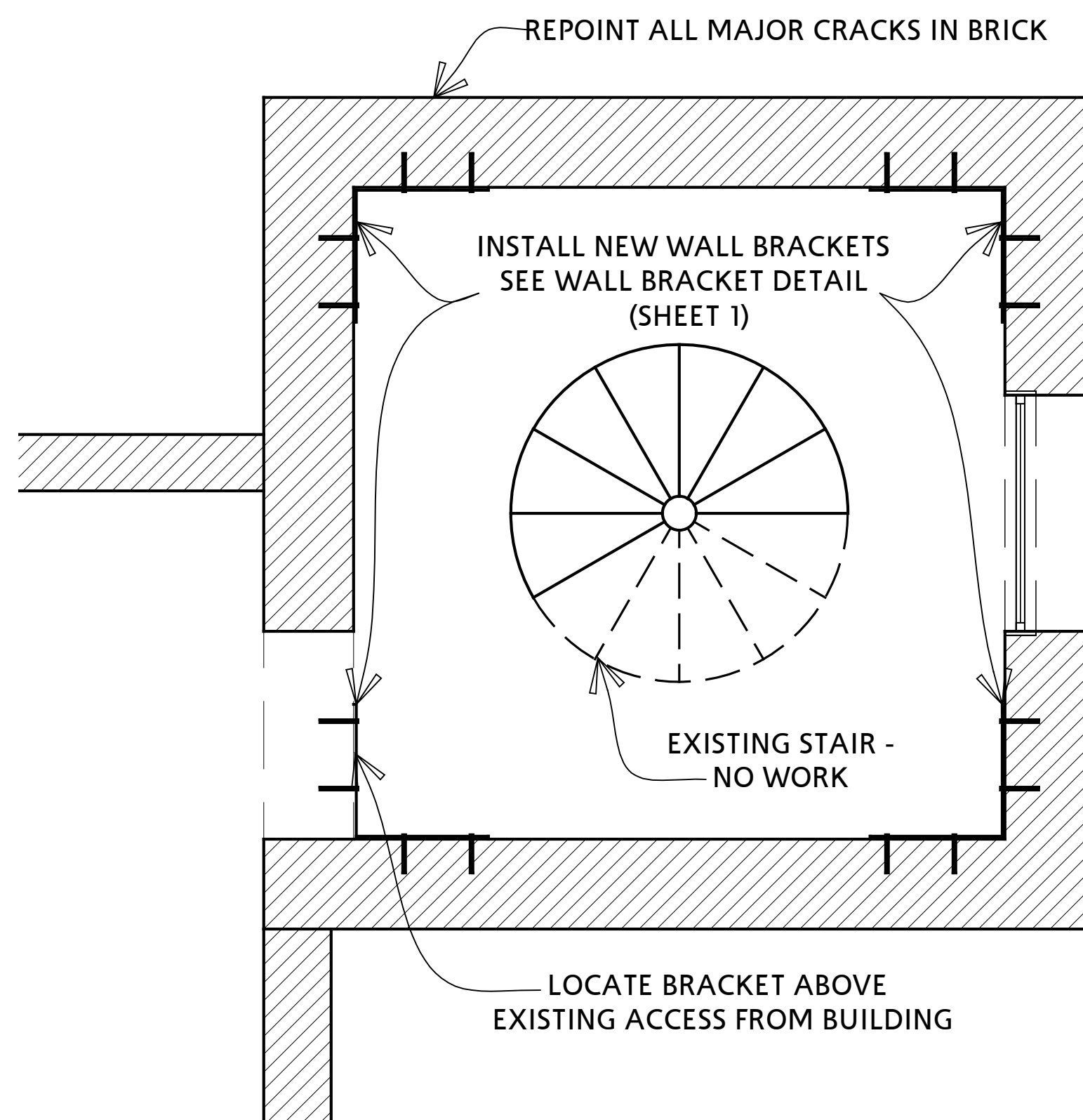
REPAIRS TO 522 BOURBON
522 BOURBON
NEW ORLEANS, LA 70130
XXXX

A.2



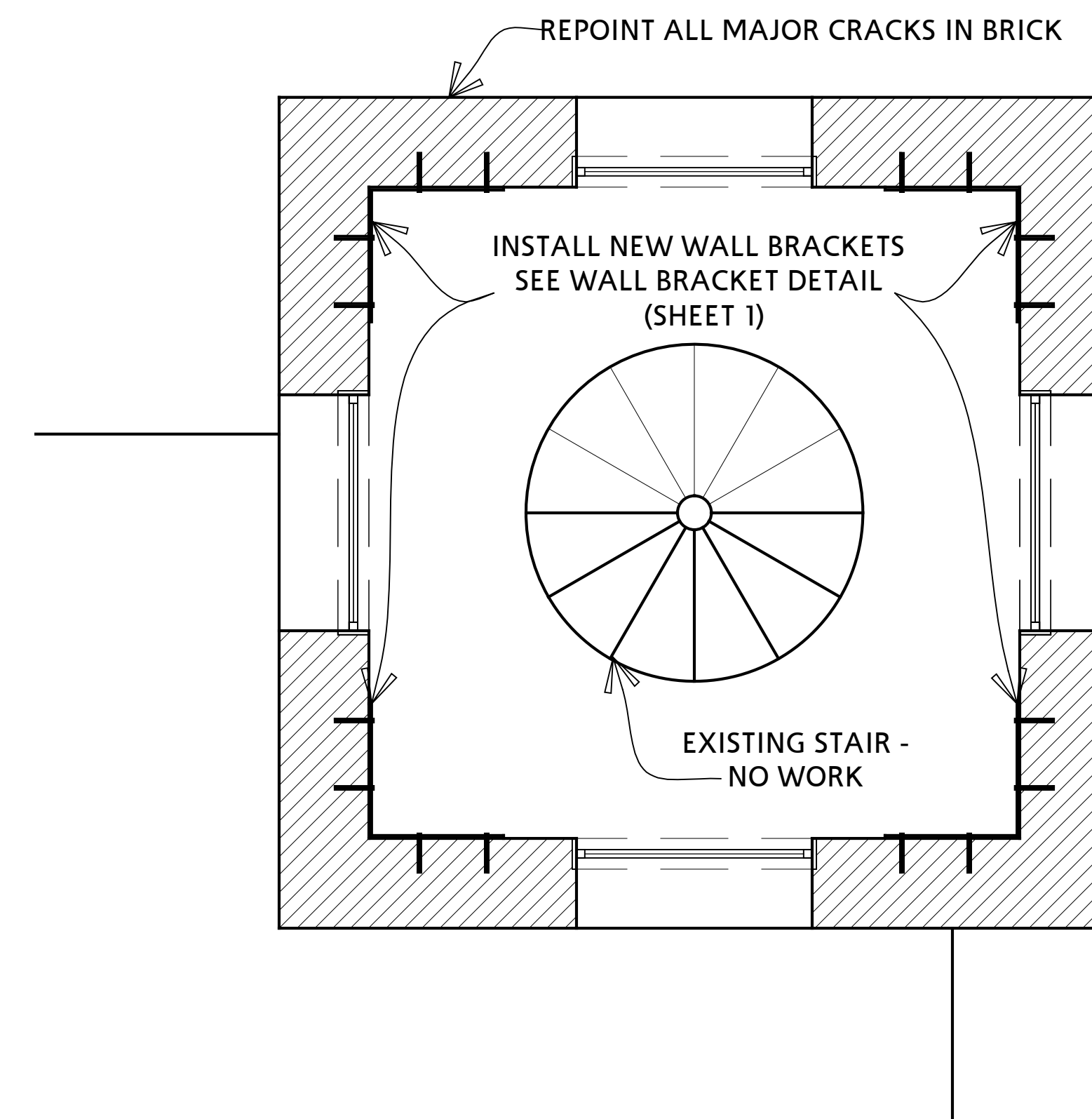
1 SITE PLAN

SCALE: 1/8" = 1'-0"



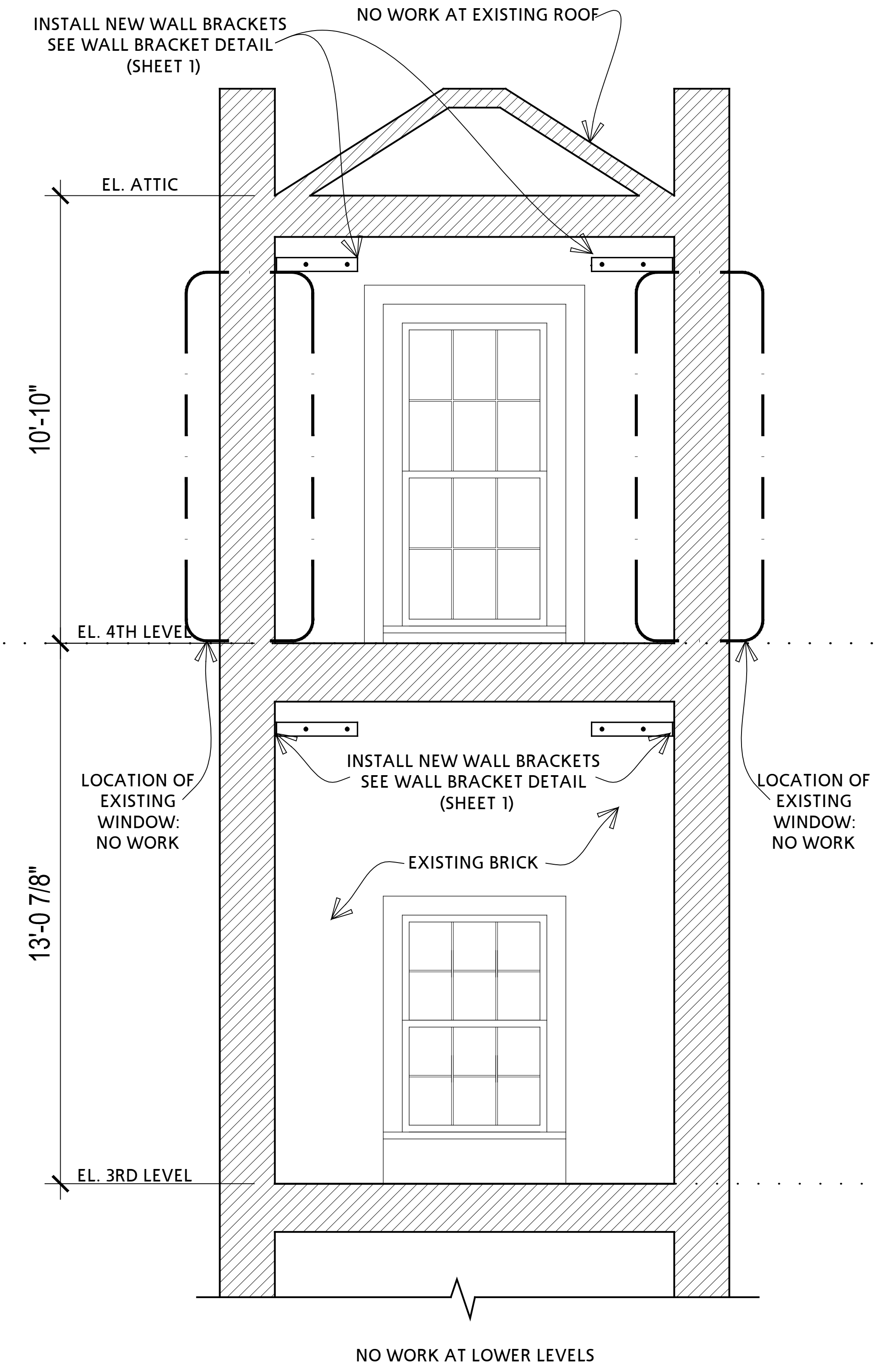
2 THIRD LEVEL PLAN

SCALE: 1/2" = 1'-0"



3 FOURTH LEVEL PLAN

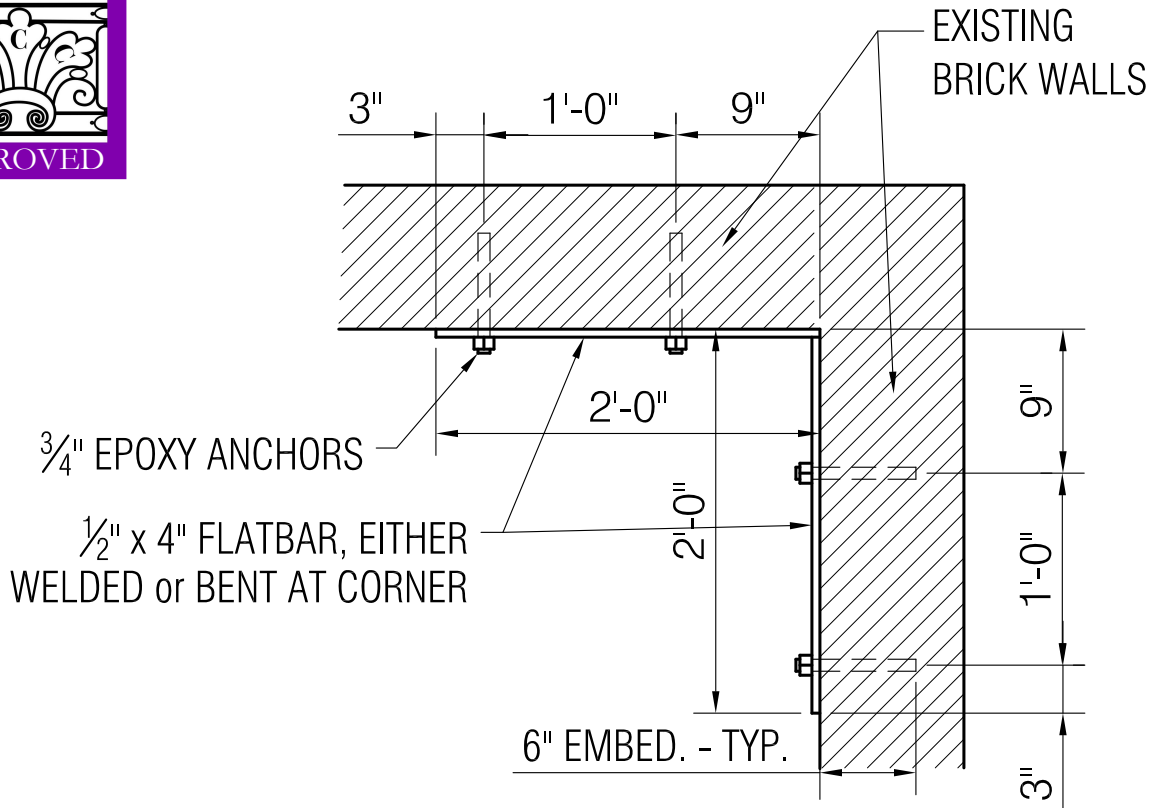
SCALE: 1/2" = 1'-0"



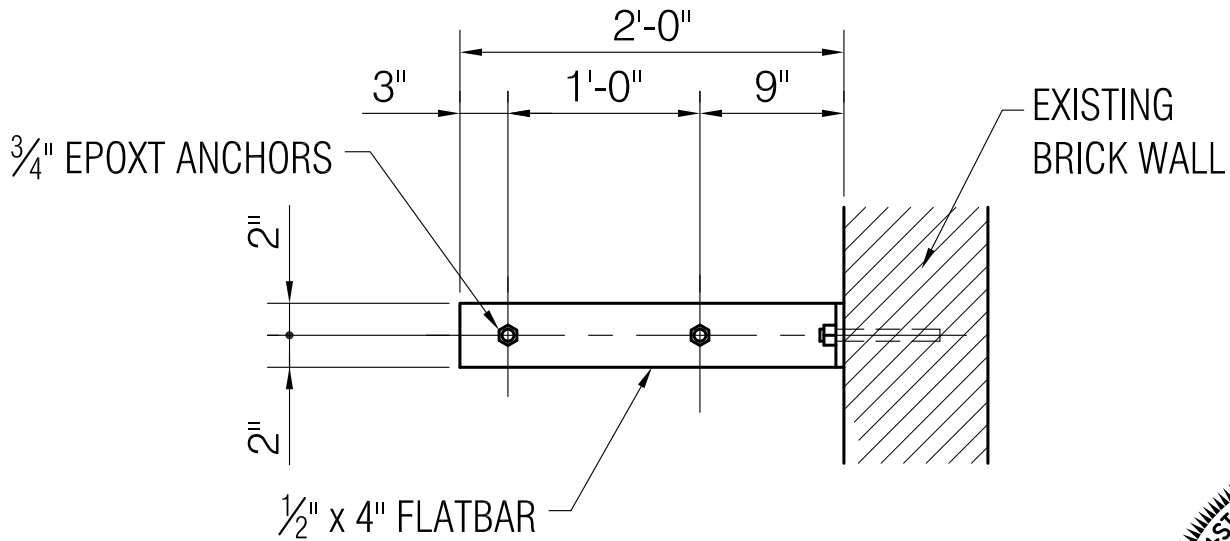
4 EXISTING BUILDING SECTION - TYPICAL EACH SIDE

SCALE: 1/2" = 1'-0"

* NO WORK ON FIRST OR SECOND LEVELS



PLAN

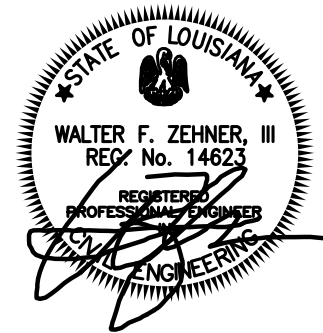


ELEVATION & SECTION

WALL BRACKET DETAIL

SCALE: 1" = 1'-0"

NOTE: LOCATE BRACKETS AT 4 CORNERS OF TOWER & BELOW 2ND & 3RD FLOOR CEILING JOISTS



JOB: 522 Bourbon Street

WALTER F. ZEHNER, III, P.E.
CONSULTING ENGINEER

DATE

7/5/2022

BY
WFZ

4702 TOULOUSE STREET
NEW ORLEANS, LOUISIANA 70119

TELEPHONE (504) 488-1442
EMAIL: WALTERZEHNER@MSN.COM

SHEET NO.

1