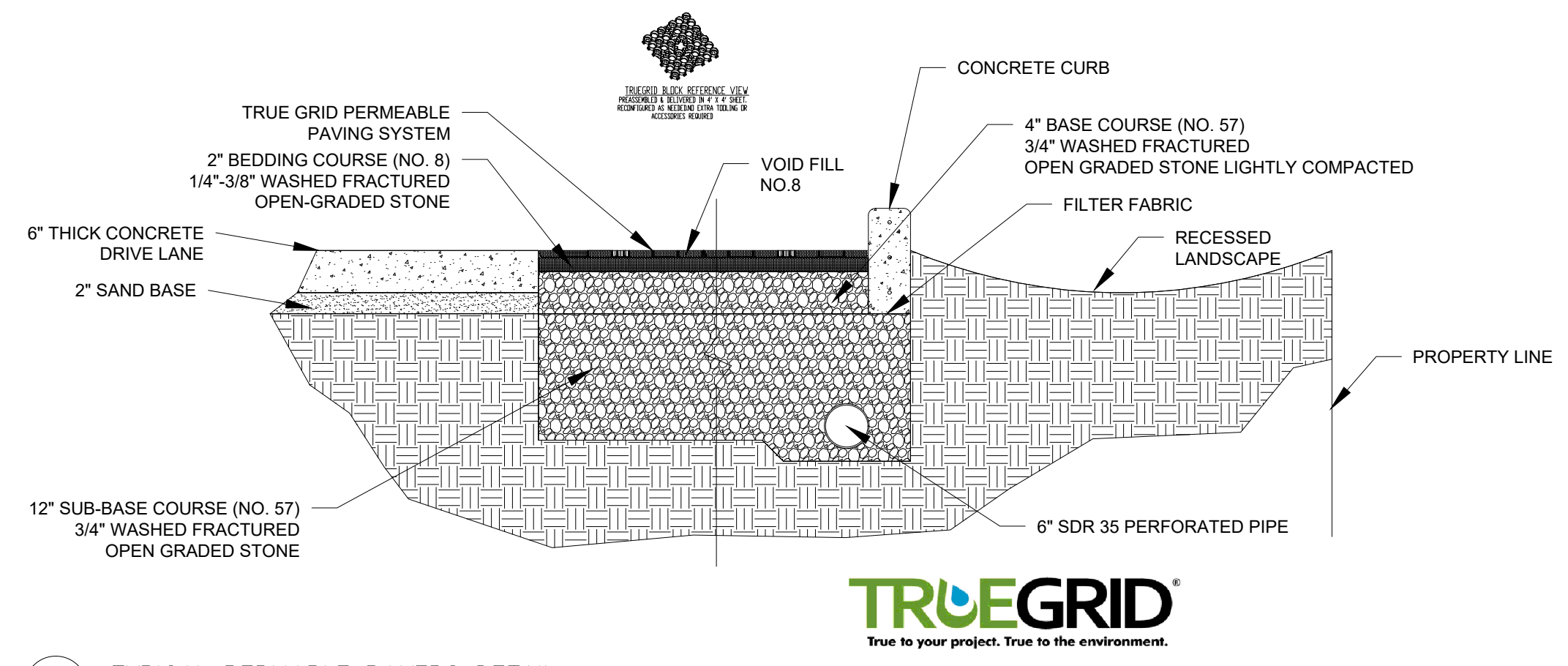
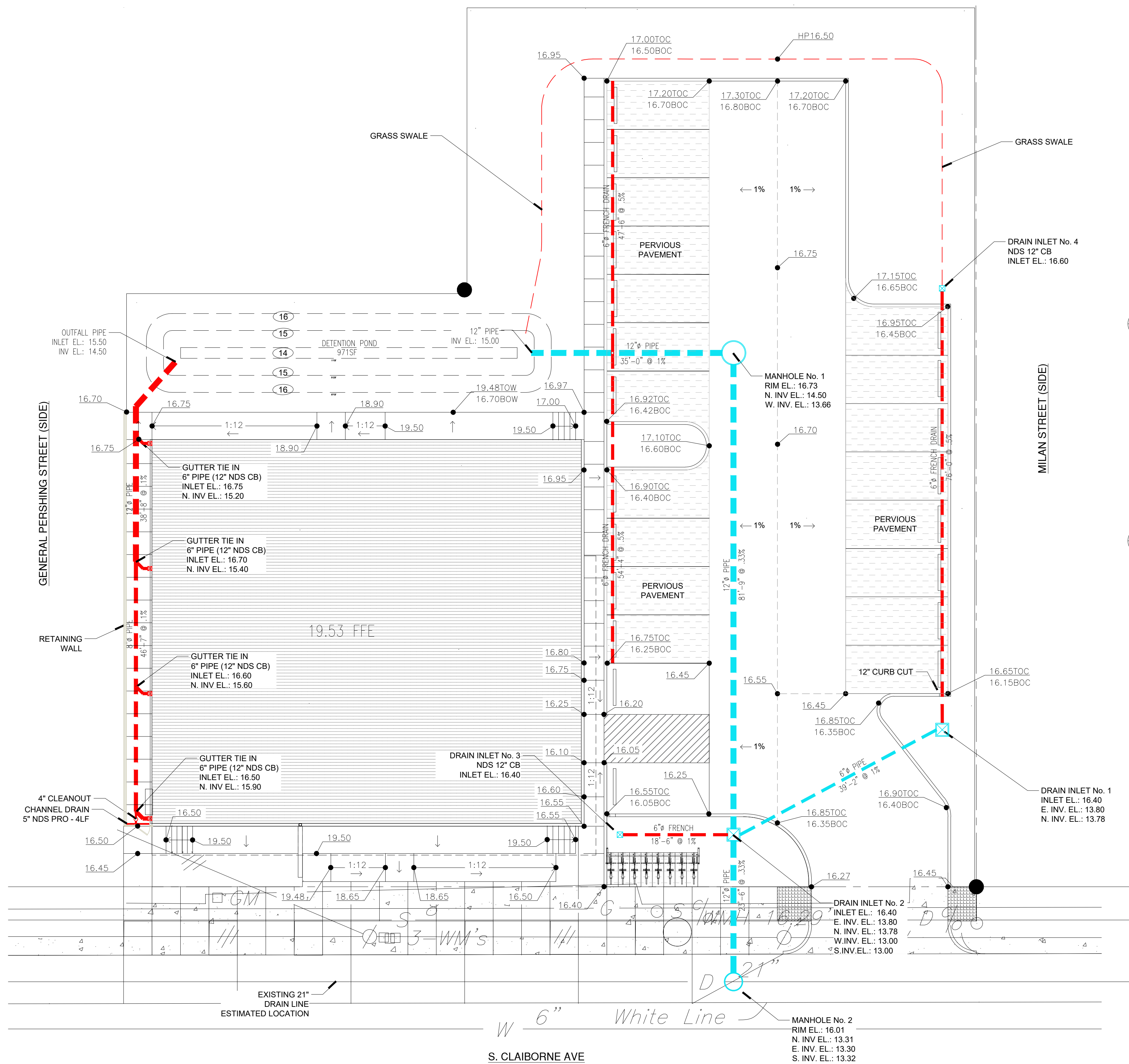
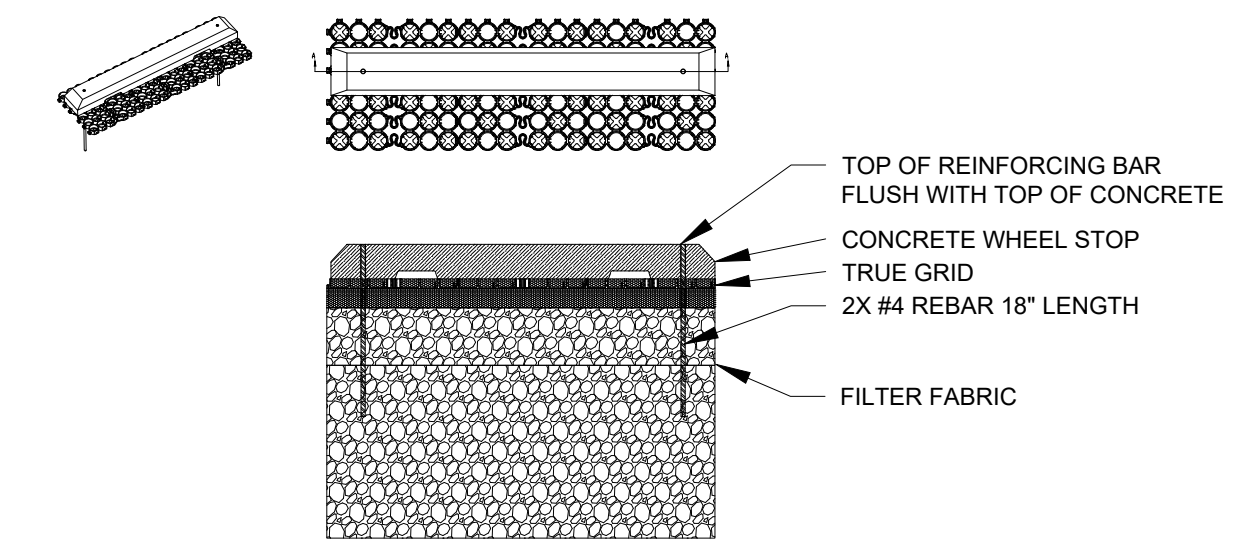


S. DERBIGNY STREET (SIDE)



2 TYPICAL PERMEABLE PAVERS DETAIL  
S-1 NOT TO SCALE



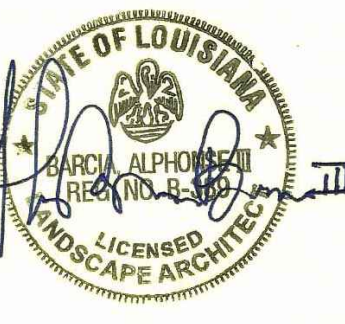
3 WHEEL STOP ON PERMEABLE PAVER DETAIL  
S-2 NOT TO SCALE

NOTES

1. CONTRACTOR TO INSTALL TYPICAL PRE-CAST CONCRETE MANHOLE - PER SEWERAGE AND WATER BOARD OF NEW ORLEANS DWG NO. 6178-B-6A
2. CONTRACTOR TO INSTALL PRECAST CATCH BASINS PER LOUISIANA DOTD PER STANDARD PLAN PC-01

1 CLAIBORNE MEDICAL COMPLEX SWPP PLAN  
SCALE: 3/32" = 1'-0"

ALPHONSE BARCIA III  
LANDSCAPE ARCHITECT LLC.  
562 CLAYTON COURT  
SLIDELL, LOUISIANA 70461  
BARCIADESIGNS@GMAIL.COM  
(985) 960-0429



8-15-2022

THIS DRAWING IS AN INSTRUMENT OF SERVICE, AND THE PROPERTY OF THE ARCHITECT AND MAY BE USED ONLY ON THE PROJECT NAMED HEREIN. THIS DRAWING SHALL NOT BE REPRODUCED, COPIED OR USED IN WHOLE OR PART WITHOUT WRITTEN PERMISSION OF THE ARCHITECT. ANY USE IS A VIOLATION OF FEDERAL AND STATE COPYRIGHT STATUTES.

Claiborne Medical Complex  
4215-27 South Claiborne Ave.  
New Orleans, L.A. 70112  
Sheet Title: Schematic Grading and SWPP Plan

JOB No.:  
SCALE: AS SHOWN  
DRAWN BY: AB3  
CHECKED BY: AB3

SHEET:  
LS-2

REV.  
DATE: AUGUST 15TH 2022