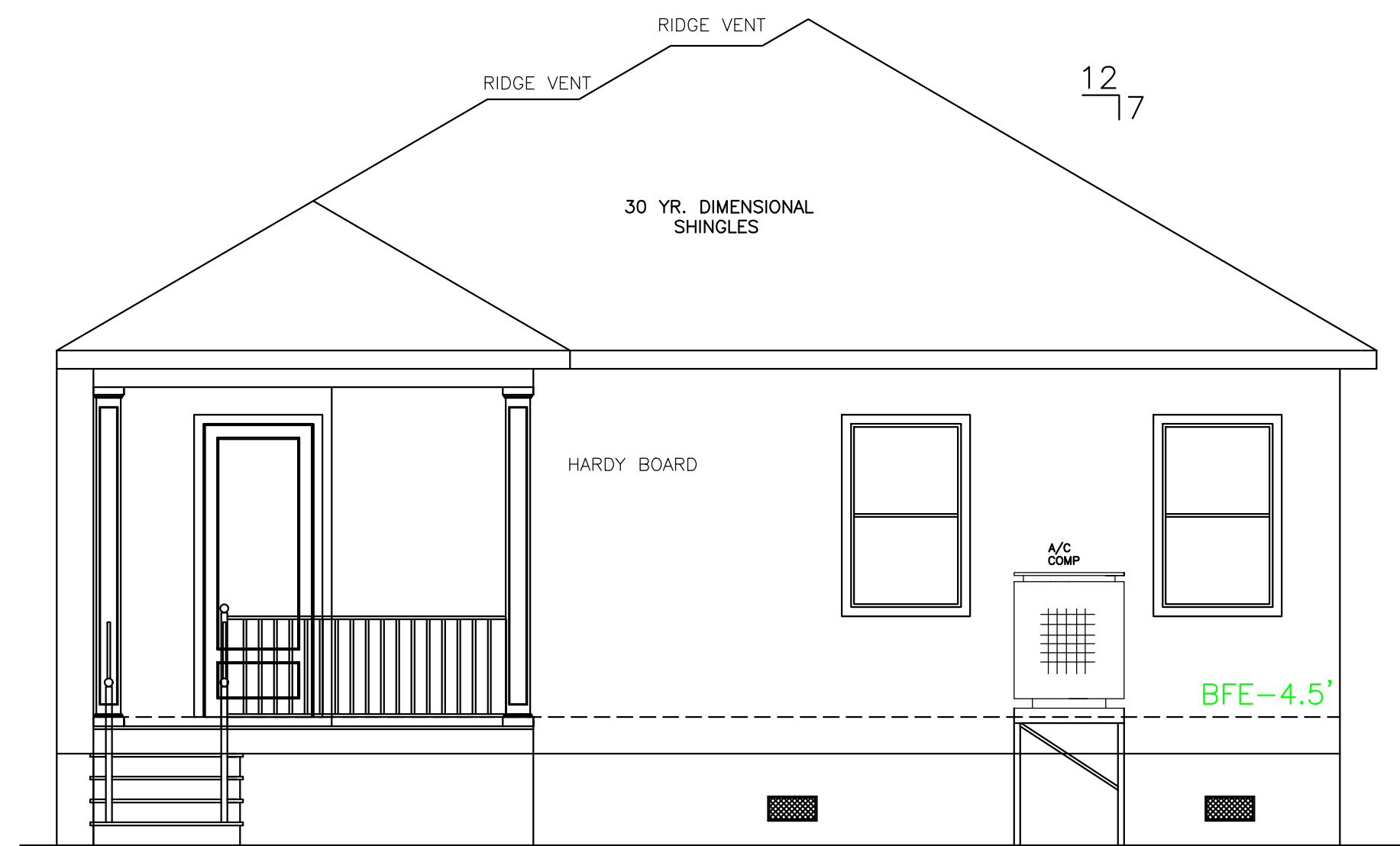


50.0'
VIOLA STREET

SITE PLAN
SCALE: 1/8" = 1'-0"

LOT# 6 SQ# 3620
THIRD DISTRICT
ORLEANS PARISH, LA



REAR ELEVATION
SCALE: 1/4" = 1'-0"



OPTION A
FRONT ELEVATION
SCALE: 1/4" = 1'-0"

WIND BORNE DEBRIS PROTECTION

WINDOWS IN BUILDING LOCATED IN WIND BORNE DEBRIS REGIONS SHALL HAVE GLAZED OPENINGS PROTECTED FROM WIND BORNE DEBRIS. WOOD STRUCTURAL PANELS WITH A MIN. THICKNESS OF 1/2" AND A MAX. SPAN OF 8 FEET SHALL BE PERMITTED FOR OPENING PROTECTION IN ONE AND TWO STORY BUILDINGS. PANELS SHALL BE PRECUT TO COVER THE GLAZED OPENINGS WITH ATTACHMENT HARDWARE PROVIDED.

CODE COMPLIANCE:

WIND SPEED 130 MPH.

1. THE 2015 INTERNATIONAL RESIDENTIAL CODE.
2. WOOD FRAME CONSTRUCTION MANUAL FOR ONE AND TWO FAMILY DWELLINGS. (WFCM).
3. INTERNATIONAL CODE COUNCIL (ICC) STANDARD FOR RESIDENTIAL CONSTRUCTION IN HIGH WIND REGIONS (ICC600).

THESE PLANS HAVE BEEN PROPERLY EXAMINED BY THE UNDERSIGNED. I HAVE DETERMINED THAT THEY COMPLY WITH THE FOLLOWING EXISTING STATE AND LOCAL BUILDING CODES FOR THE JURISDICTION IN WHICH THE RESIDENCE IS TO BE LOCATED.

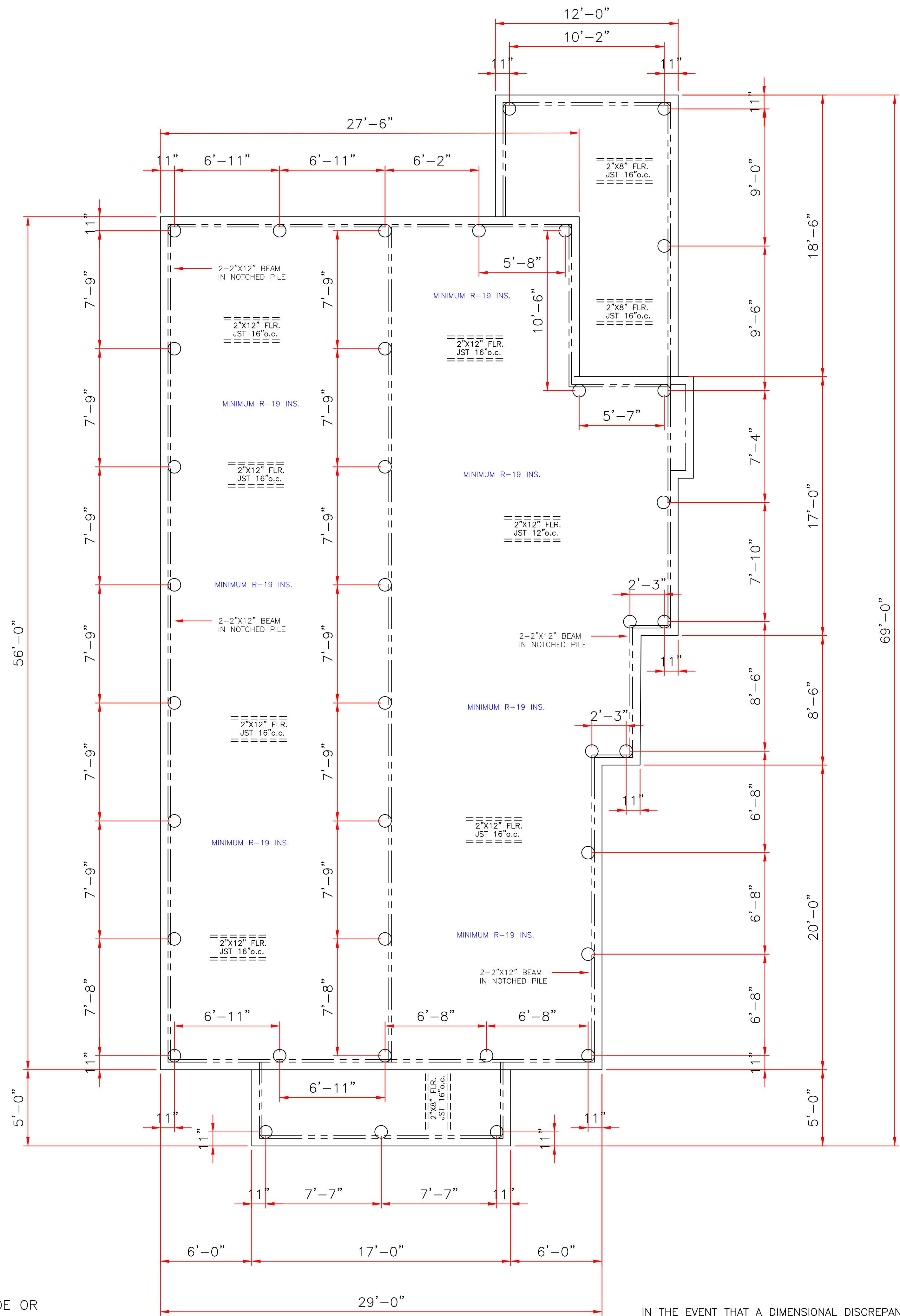
IN THE EVENT THAT A DIMENSIONAL DISCREPANCY IN THE DRAWINGS IS DISCOVERED BY THE GENERAL CONTRACTOR, SUBCONTRACTORS, ENGINEER, CONSULTANT, OR A SUPPLIER, SAID PARTY SHALL IMMEDIATELY NOTIFY THE ARCHITECT AND SUSPEND ALL ASSOCIATED WORK UNTIL SUCH TIME THAT A PROPER DETERMINATION HAS BEEN MADE BY THE ARCHITECT, WITH APPROPRIATE INSTRUCTIONS FOR RESOLUTION OF THE ISSUE. FAILURE TO REPORT KNOWN DISCREPANCIES AND CONTINUING WITH THE WORK WITHOUT NOTIFYING THE ARCHITECT SHALL RESULT IN AN ASSUMPTION OF RESPONSIBILITY FOR CORRECTIVE WORK TO ACHIEVE THE INTENDED DESIGN.

| | | |
|--|---|------------------------------------|
| | JADEN HANDY VIOLA STREET ORLEANS PARISH, LA 985-774-9971 | |
| | 8307 LAFITTE CT. CHALMETTE, LA 70043 504-279-3508 | DATE: 07/29/22 SHEET NO: 1 OF 5 |

CODE COMPLIANCE:

WIND SPEED 130 MPH.

1. THE 2015 INTERNATIONAL RESIDENTIAL CODE.
2. WOOD FRAME CONSTRUCTION MANUAL FOR ONE AND TWO FAMILY DWELLINGS. (WFCM).
3. INTERNATIONAL CODE COUNCIL (ICC) STANDARD FOR RESIDENTIAL CONSTRUCTION IN HIGH WIND REGIONS (ICC600).



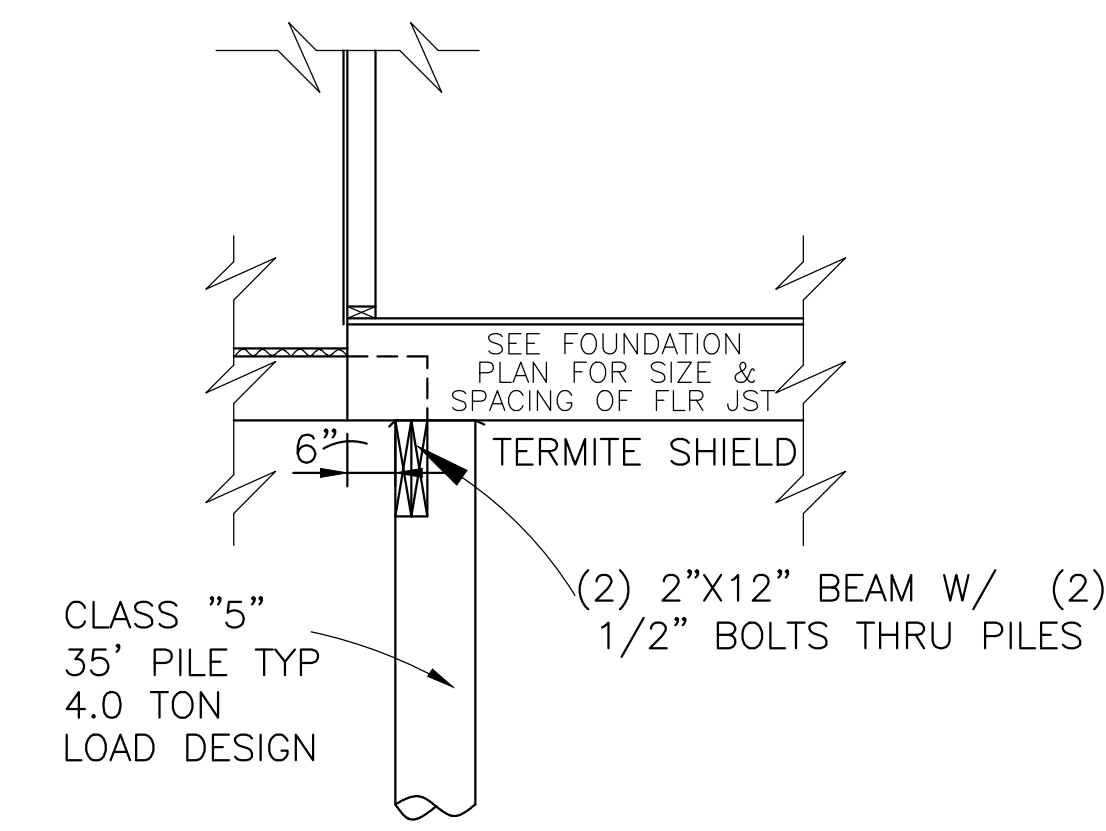
FOUNDATION PLAN
SCALE: 1/4" = 1'-0"

SOIL TREATMENT, CHEMICAL TERMITICIDE OR TEMITE SHIELDS WILL BE USED FOR TERMITE PROTECTION, BUILDER VERIFY

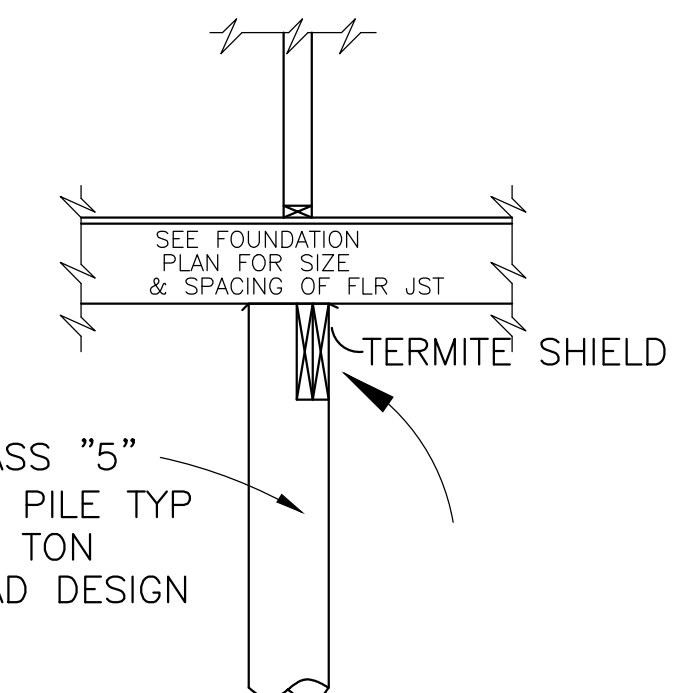
IN THE EVENT THAT A DIMENSIONAL DISCREPANCY IN THE DRAWINGS IS DISCOVERED BY THE GENERAL CONTRACTOR, SUBCONTRACTORS, ENGINEER, CONSULTANT, OR A SUPPLIER, SAID PARTY SHALL IMMEDIATELY NOTIFY THE ARCHITECT AND SUSPEND ALL ASSOCIATED WORK UNTIL SUCH TIME THAT A PROPER DETERMINATION HAS BEEN MADE BY THE ARCHITECT, WITH APPROPRIATE INSTRUCTIONS FOR RESOLUTION OF THE ISSUE. FAILURE TO REPORT KNOWN DISCREPANCIES AND CONTINUING WITH THE WORK WITHOUT NOTIFYING THE ARCHITECT SHALL RESULT IN AN ASSUMPTION OF RESPONSIBILITY FOR CORRECTIVE WORK TO ACHIEVE THE INTENDED DESIGN.

WIND BORNE DEBRIS PROTECTION

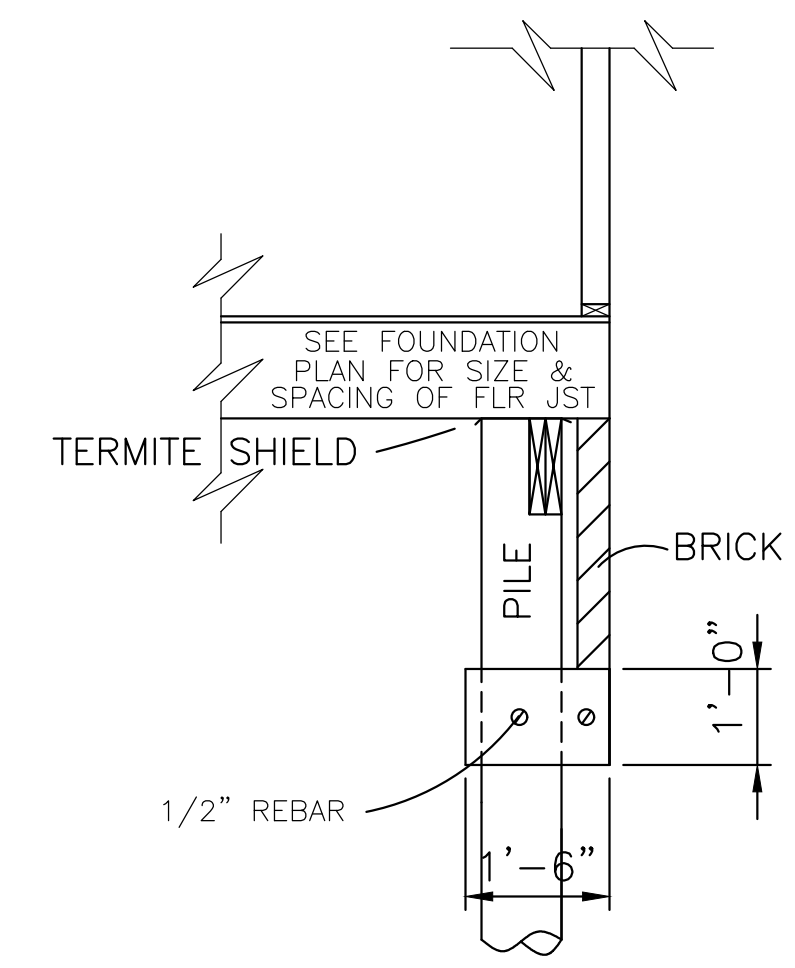
WINDOWS IN BUILDING LOCATED IN WIND BORNE DEBRIS REGIONS SHALL HAVE GLAZED OPENINGS PROTECTED FROM WIND BORNE DEBRIS. WOOD STRUCTURAL PANELS WITH A MIN. THICKNESS OF 1/2" AND A MAX. SPAN OF 8 FEET SHALL BE PERMITTED FOR OPENING PROTECTION IN ONE AND TWO STORY BUILDINGS. PANELS SHALL BE PRECUT TO COVER THE GLAZED OPENINGS WITH ATTACHMENT HARDWARE PROVIDED.



SECTION @ PORCH
SCALE: 1/2" = 1'-0"

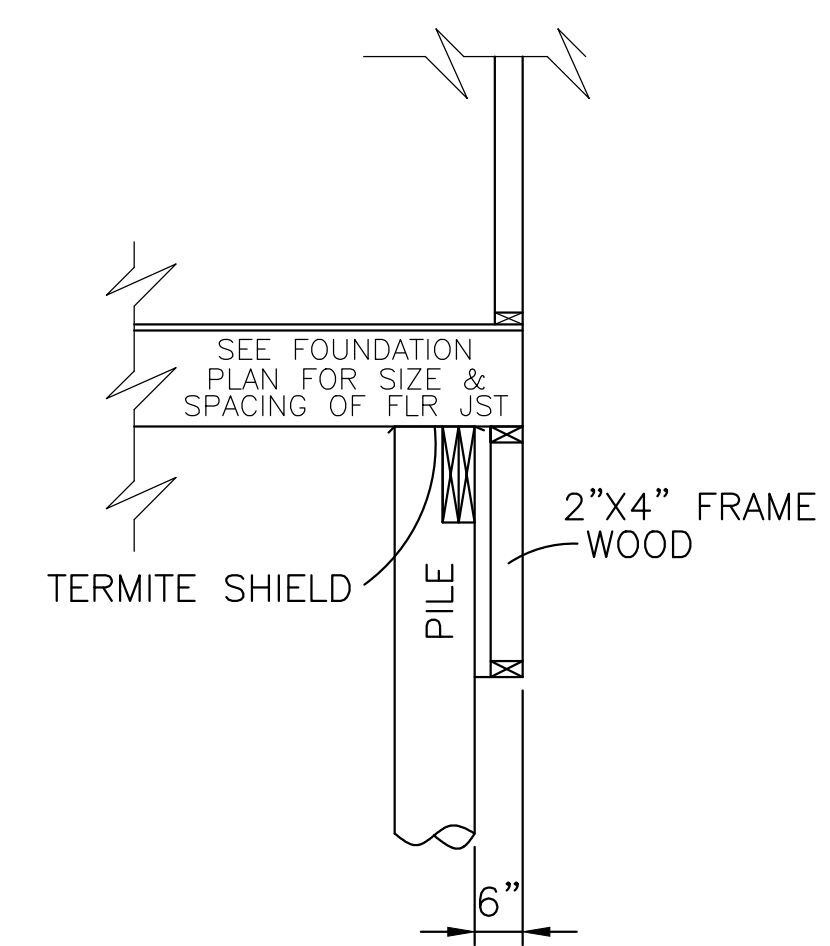


INTERIOR FOOTING DETAIL
SCALE: 1/2" = 1'



EXTERIOR BRICK DETAIL
SCALE: 1/2" = 1'-0"

OPTION



EXTERIOR WOOD DETAIL
SCALE: 1/2" = 1'-0"

OPTION

CLASS 5 35' PILE WITH 4.0 TON LOAD DESIGN DRIVEN WITH STEEL DROP HAMMER OR RAPID IMPACT HAMMER METHOD, TO REFUSAL

THESE PLANS HAVE BEEN PROPERLY EXAMINED BY THE UNDERSIGNED. I HAVE DETERMINED THAT THEY COMPLY WITH THE FOLLOWING EXISTING STATE AND LOCAL BUILDING CODES FOR THE JURISDICTION IN WHICH THE RESIDENCE IS TO BE LOCATED.

| | | | | |
|--|--|------------------|---|--|
| | LARRY TRUMBATURI | | JADEN HANDY VIOLA STREET ORLEANS PARISH, LA 985-774-9971 | |
| | 8307 LAFITTE CT. CHALMETTE, LA 70043 504-279-3508 | DATE 07/29/22 | SHEET NO. 2 OF 5 | |

CODE COMPLIANCE:

WIND SPEED 130 MPH.

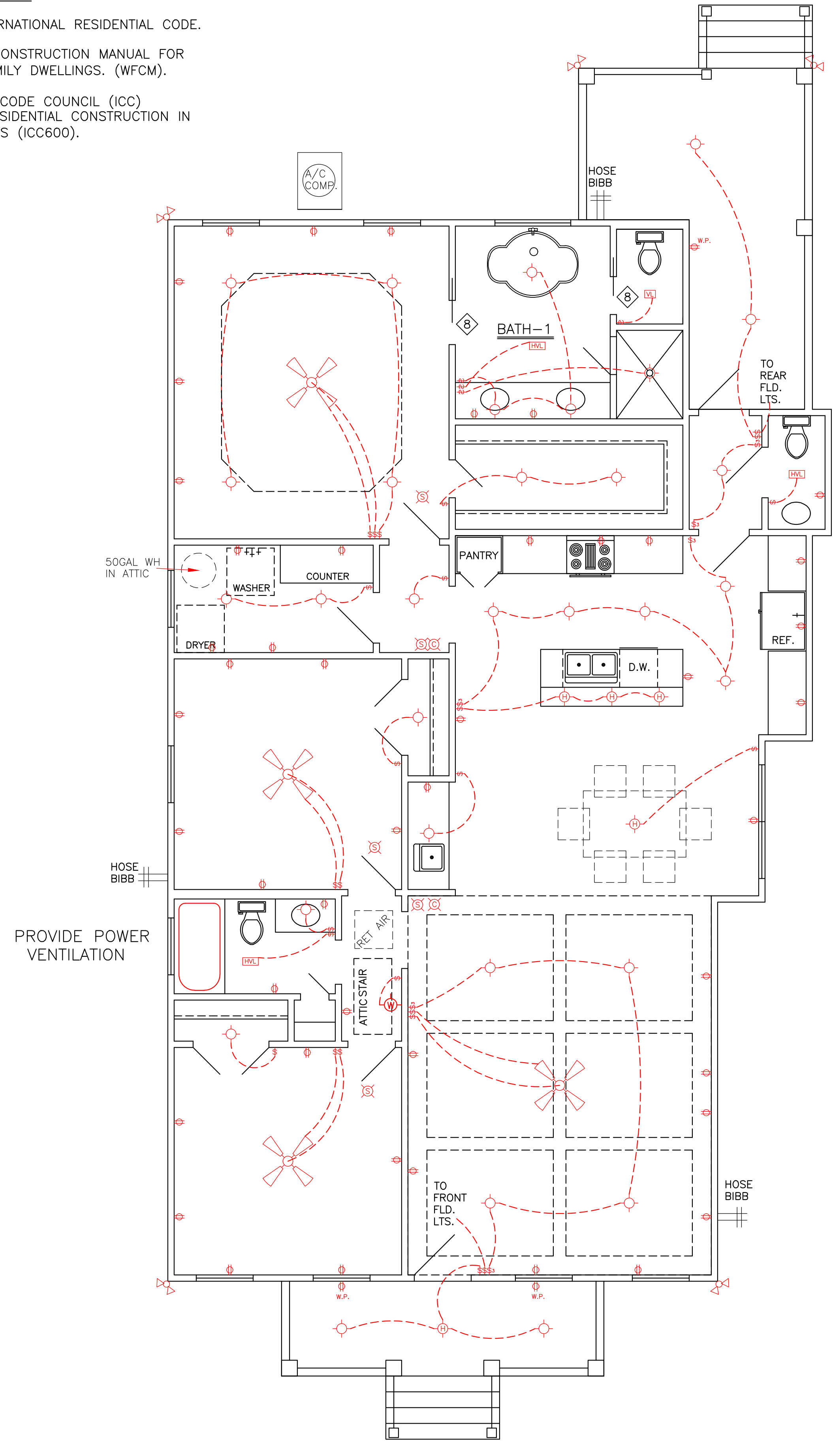
- THE 2015 INTERNATIONAL RESIDENTIAL CODE.
- WOOD FRAME CONSTRUCTION MANUAL FOR ONE AND TWO FAMILY DWELLINGS. (WFCM).
- INTERNATIONAL CODE COUNCIL (ICC) STANDARD FOR RESIDENTIAL CONSTRUCTION IN HIGH WIND REGIONS (ICC600).

ELECTRICAL NOTES

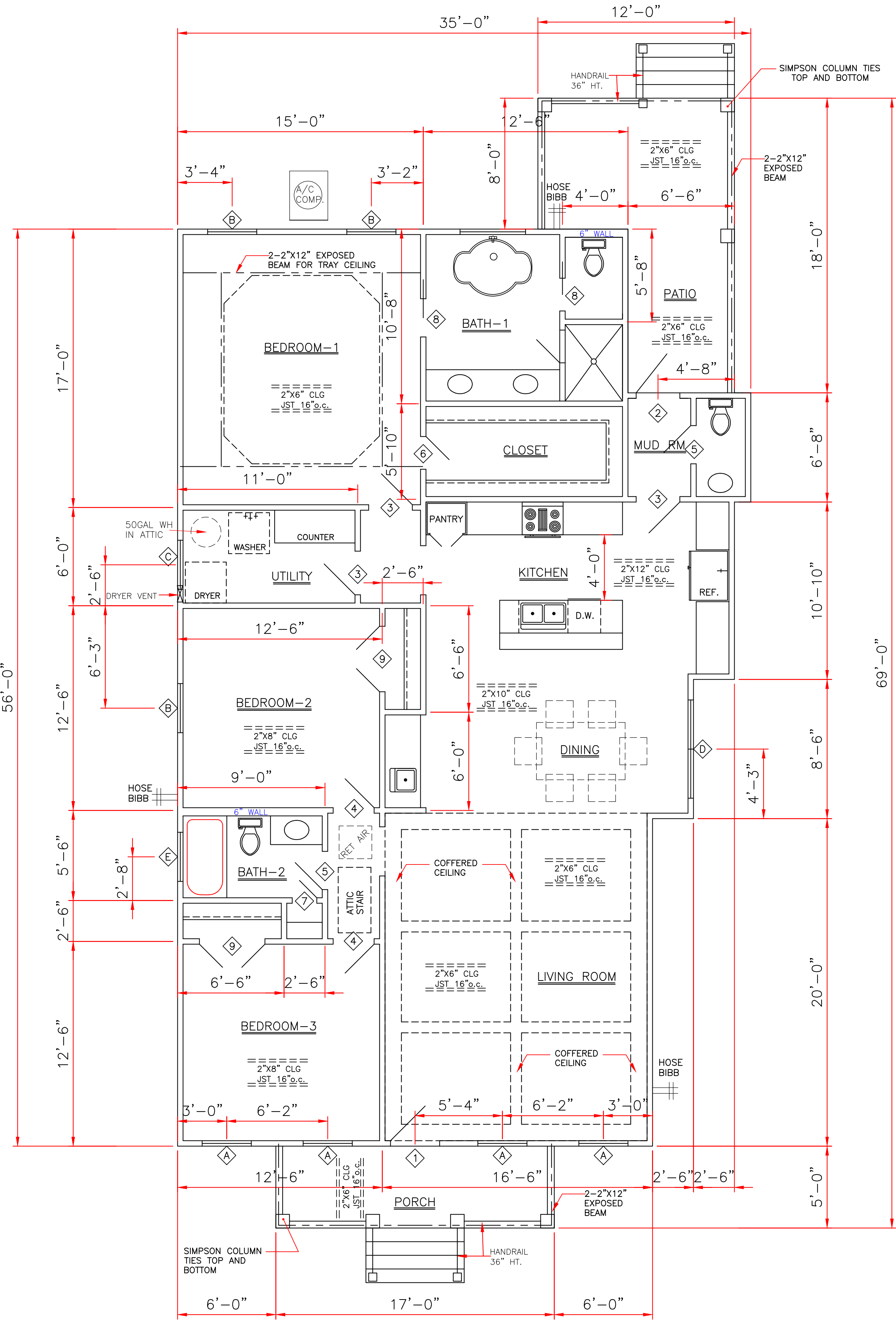
- AFCI PROTECTION SHALL BE PROVIDED FOR DINING ROOMS, FAMILY ROOMS, LIVING ROOMS, HALLWAYS, CLOSETS, BEDROOMS, ETC.
- SMOKE DETECTORS: (A) SHALL BE INSTALLED IN EACH SLEEPING ROOM. (B) SHALL BE INSTALLED OUTSIDE, IN THE VICINITY OF EACH SLEEPING ROOM. (C) SHALL BE 120 VOLT, HARDWIRED, INTERCONNECTED, WITH A BATTERY BACKUP. (D) SHALL NOT BE INSTALLED WITHIN 36 INCHES OF A RETURN AIR GRILLE OR ANY PADDLE FAN BLADE.
- KITCHEN: (A) ALL RECEPTACLES OVER COUNTERTOP SHALL BE GFI PROTECTED REGARDLESS OF DISTANCE FROM THE SINK. (B) THE DISHWASHER SHALL BE CONNECTED BY MEANS OF AN APPLIANCE CORD TO A RECEPTACLE UNDER THE SINK. THE RECEPTACLE WILL NOT BE GFI PROTECTED.
- BATHROOMS: (A) ALL RECEPTACLES SHALL BE GFI PROTECTED. (B) LIGHTS OVER BATHTUBS SHALL HAVE COVERS THAT ARE LISTED FOR "DAMP LOCATION" (C) LIGHTS OVER SHOWERS SHALL HAVE COVERS LISTED FOR "WET LOCATION."
- EXTERIOR RECEPTACLES SHALL ALL BE GFI PROTECTED AND SHALL HAVE WEATHERPROOF COVERS.
- A RECEPTACLE (NOT SHOWN ON THE PLAN) WILL BE INSTALLED ON THE EXTERIOR WALL WITHIN 25 FEET OF THE AIR CONDITIONING EQUIPMENT.

GENERAL NOTES:

- ATTIC VENTILATION WILL BE CONTINUOUS RIDGE VENTS AND PERFORATED SOFFITS. OR EQUAL
- TERMITE SHIELDS WILL BE 26 GA GALVANIZED AT EACH PIER UNDER SILLS
- #2 PINE LUMBER WILL BE USED FOR FRAMING LUMBER
- CONTRACTOR TO REMOVE DEBRIS FROM PROPERTY
- ENCLOSED AREAS BELOW FLOOD GRADE SHALL HAVE A MINIMUM OF 1 SQ. IN. PER 1 SQ. FT. OF WATER FLOW VENTING.
- MINIMUM INSULATION REQUIRED
FLOORS- R-19
WALL- R-13
CEILING- R-38
- BUILDING MATERIAL USED BELOW DESIGN FLOOD ELEVATION MUST BE WATER RESISTANT
- WINDOWS INSTALLED IN BATHTUB ENCLOSURES LESS THAN 60" F.F.F. REQUIRE SAFETY GLAZING AND WINDOWS WITHIN 2' OF DOORS AND WITHIN 5' OF STAIRS
- FLOOD VENTS WHERE APPLICABLE SHALL BE 1'-0" OR LESS ABOVE GRADE.
- WINDOWS WHERE BOTTOM EDGE IS LESS THAN 18" REQUIRES SAFETY



ELECTRICAL PLAN
SCALE: 1/4" = 1'-0"



FLOOR PLAN
SCALE: 1/4" = 1'-0"

| SQUARE FOOTAGE | |
|----------------|------|
| LIVING | 1715 |
| PORCH | 85 |
| PATIO | 164 |
| TOTAL | 1964 |

IN THE EVENT THAT A DIMENSIONAL DISCREPANCY IN THE DRAWINGS IS DISCOVERED BY THE GENERAL CONTRACTOR, SUBCONTRACTORS, ENGINEER, CONSULTANT, OR A SUPPLIER, SAID PARTY SHALL IMMEDIATELY NOTIFY THE ARCHITECT AND SUSPEND ALL ASSOCIATED WORK UNTIL SUCH TIME THAT A PROPER DETERMINATION HAS BEEN MADE BY THE ARCHITECT, WITH APPROPRIATE INSTRUCTIONS FOR RESOLUTION OF THE ISSUE. FAILURE TO REPORT KNOWN DISCREPANCIES AND CONTINUING WITH THE WORK WITHOUT NOTIFYING THE ARCHITECT SHALL RESULT IN AN ASSUMPTION OF RESPONSIBILITY FOR CORRECTIVE WORK TO ACHIEVE THE INTENDED DESIGN.

THESE PLANS HAVE BEEN PROPERLY EXAMINED BY THE UNDERSIGNED. I HAVE DETERMINED THAT THEY COMPLY WITH THE FOLLOWING EXISTING STATE AND LOCAL BUILDING CODES FOR THE JURISDICTION IN WHICH THE RESIDENCE IS TO BE LOCATED.

| | | | | |
|--|--------------------------------------|--|---|----------|
| | LARRY TRUMBATURI | | JADEN HANDY VIOLA STREET ORLEANS PARISH, LA 985-774-9971 | |
| | 8307 LAFITTE CT. CHALMETTE, LA 70043 | | DATE | SHEET NO |
| | 504-279-3508 | | 07/29/22 | 3 OF 5 |

CODE COMPLIANCE:

WIND SPEED 130 MPH.

1. THE 2015 INTERNATIONAL RESIDENTIAL CODE.
2. WOOD FRAME CONSTRUCTION MANUAL FOR ONE AND TWO FAMILY DWELLINGS. (WFCM).
3. INTERNATIONAL CODE COUNCIL (ICC) STANDARD FOR RESIDENTIAL CONSTRUCTION IN HIGH WIND REGIONS (ICC600).

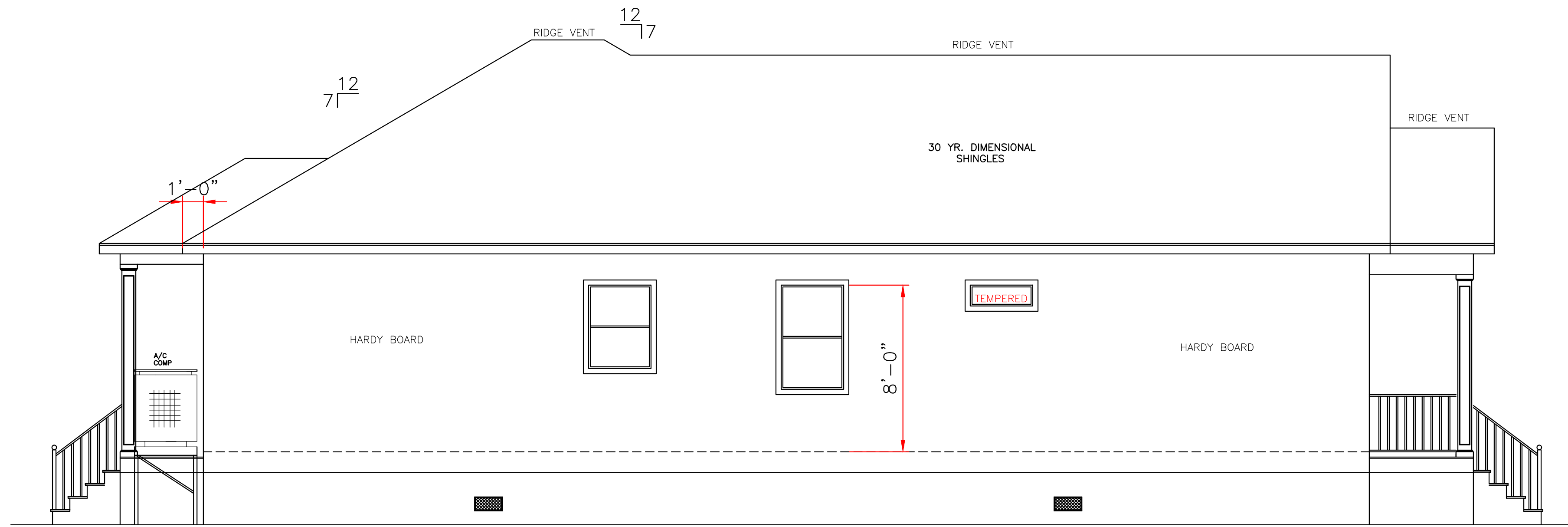
| WINDOWS | | |
|---------|-----------|--|
| A | 3'0"X6'0" | VINYL S.H. 4/4 LTS |
| B | 3'0"X5'2" | VINYL S.H. 1/1 LTS |
| C | 3'0"X4'0" | VINYL S.H. 1/1 LTS |
| D | 6'0"X6'0" | VINYL S.H. 1/1 LTS - PAIR 3'0"X6'0" |
| E | 3'0X1'0" | FIXED W/ SAFETY GLAZING (SECT. R308 IRC) |

ENERGY PERFORMANCE RATING: U-FACTOR=.55; SOLAR HEAT GAIN COEFFICIENT=.35

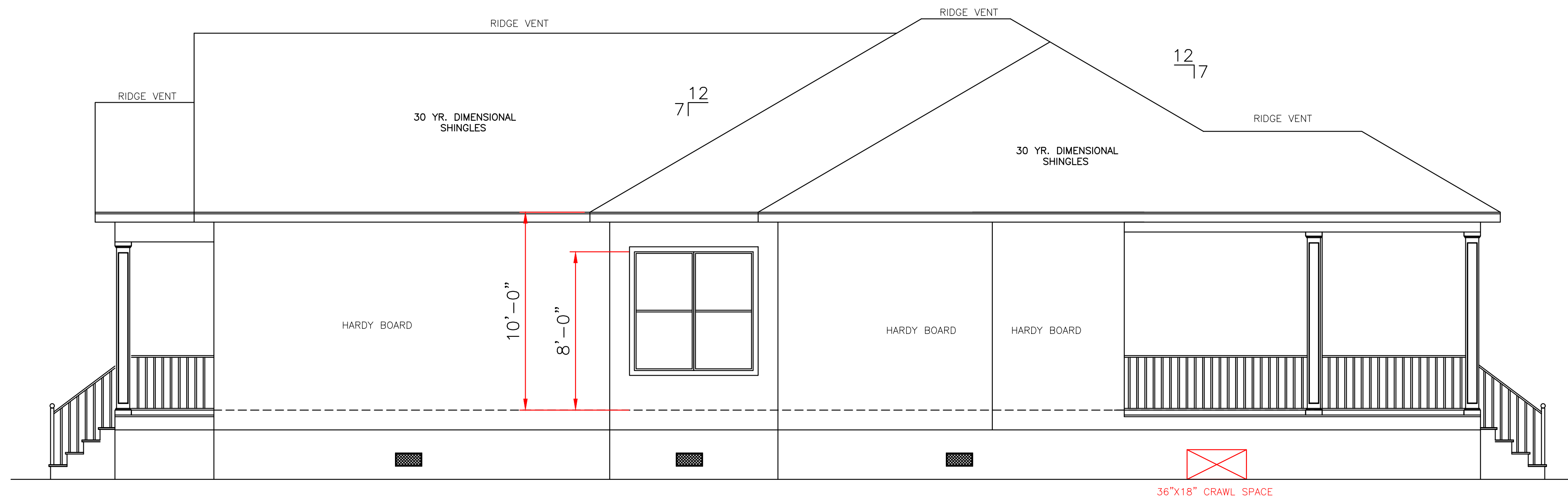
| DOORS | | |
|-------|--------------------|------------------------------|
| 1 | 3'0"X8'0"X1 3/4" | EXT. INSUL. |
| 2 | 2'8"X8'0"X1 3/4" | EXT. INSUL. |
| 3 | 2'8"X8'0"X1 3/8" | INTERIOR RAISED PANEL |
| 4 | 2'6"X8'0"X1 3/8" | INTERIOR RAISED PANEL |
| 5 | 2'4"X8'0"X1 3/8" | INTERIOR RAISED PANEL |
| 6 | 2'0"X8'0"X1 3/8" | INTERIOR RAISED PANEL |
| 7 | 1'6"X8'0"X1 3/8" | INTERIOR RAISED PANEL |
| 8 | 2'0"X8'0"X1 3/8" | INTERIOR RAISED PANEL POCKET |
| 9 | 2-2'0"X8'0"X1 3/8" | INTERIOR RAISED PANEL PAIR |

WIND BORNE DEBRIS PROTECTION

WINDOWS IN BUILDING LOCATED IN WIND BORNE DEBRIS REGIONS SHALL HAVE GLAZED OPENINGS PROTECTED FROM WIND BORNE DEBRIS. WOOD STRUCTURAL PANELS WITH A MIN. THICKNESS OF 1/2" AND A MAX. SPAN OF 8 FEET SHALL BE PERMITTED FOR OPENING PROTECTION IN ONE AND TWO STORY BUILDINGS. PANELS SHALL BE PRECUT TO COVER THE GLAZED OPENINGS WITH ATTACHMENT HARDWARE PROVIDED.

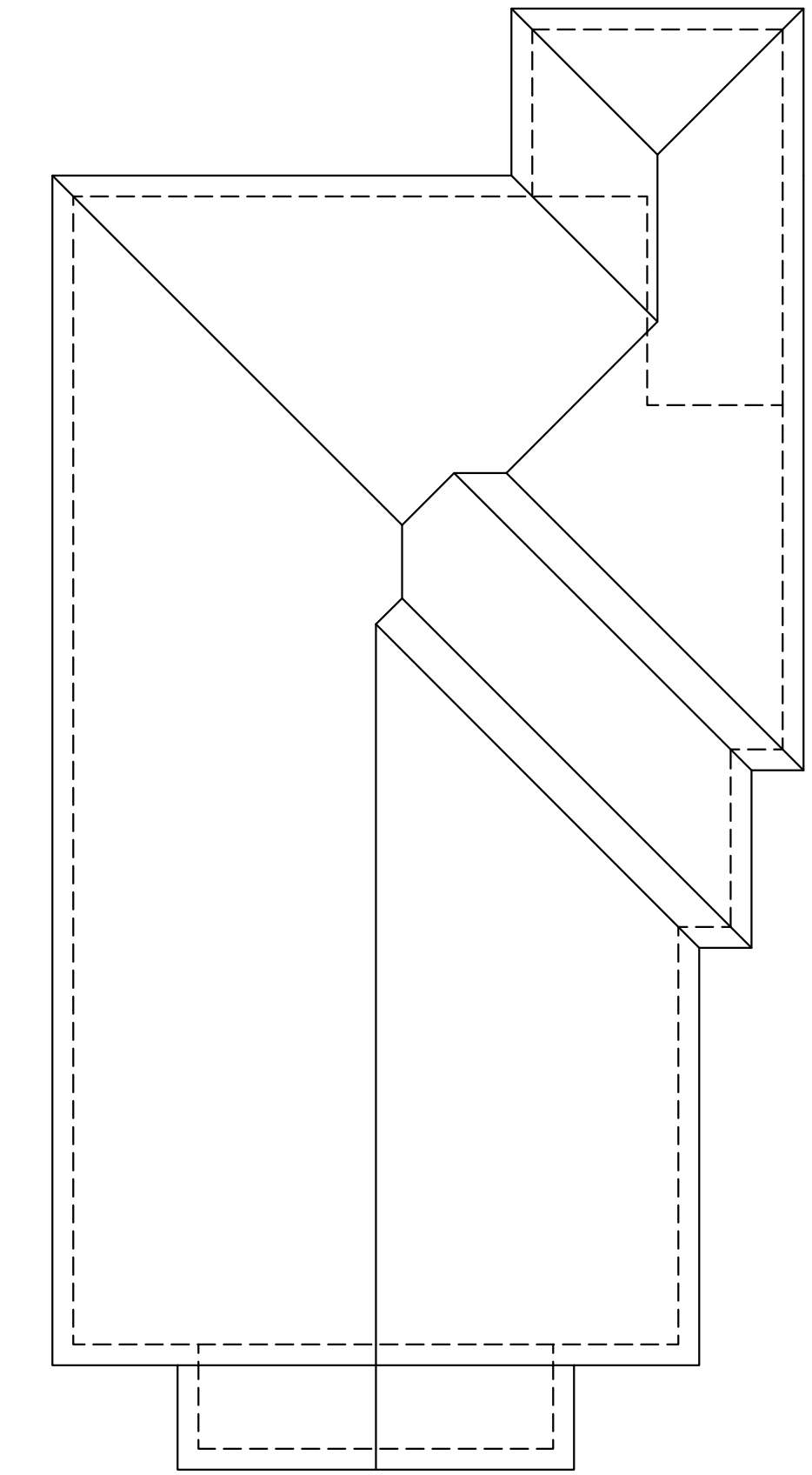


LEFT ELEVATION
SCALE: 1/4" = 1'-0"



RIGHT ELEVATION
SCALE: 1/4" = 1'-0"

ALL MATERIALS BELOW BASE FLOOD MUST BE WATER RESISTANT



ROOF PLAN
SCALE: 1/8" = 1'-0"

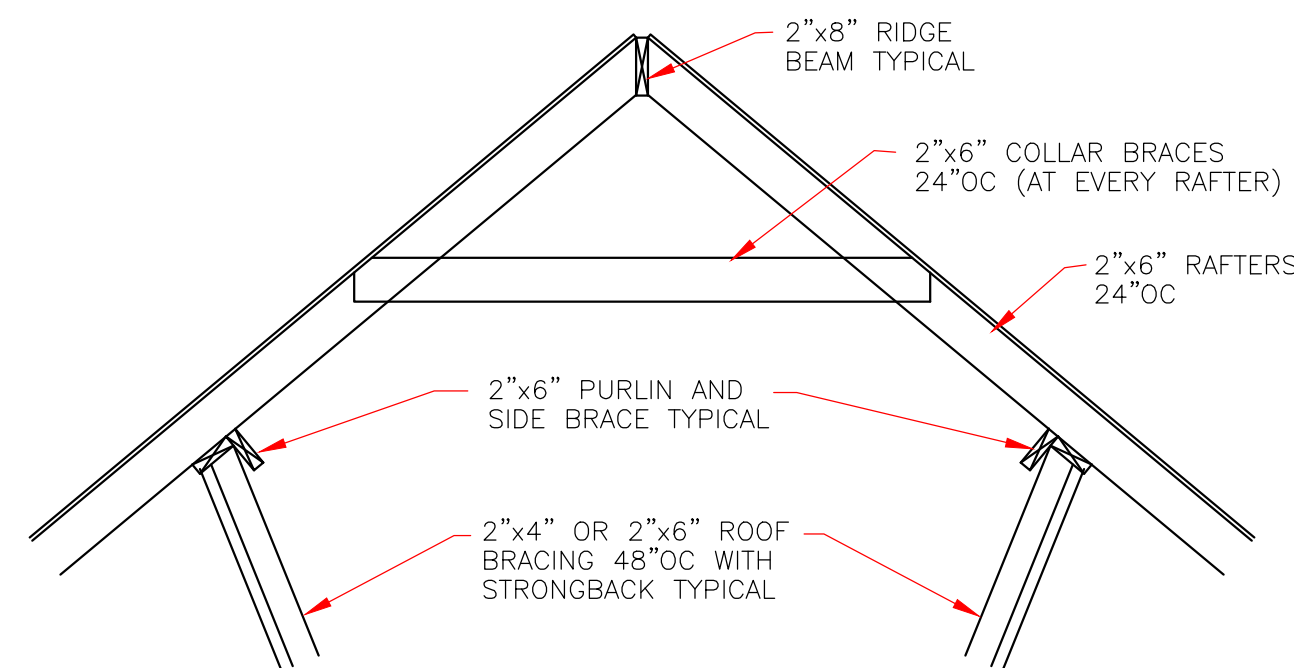
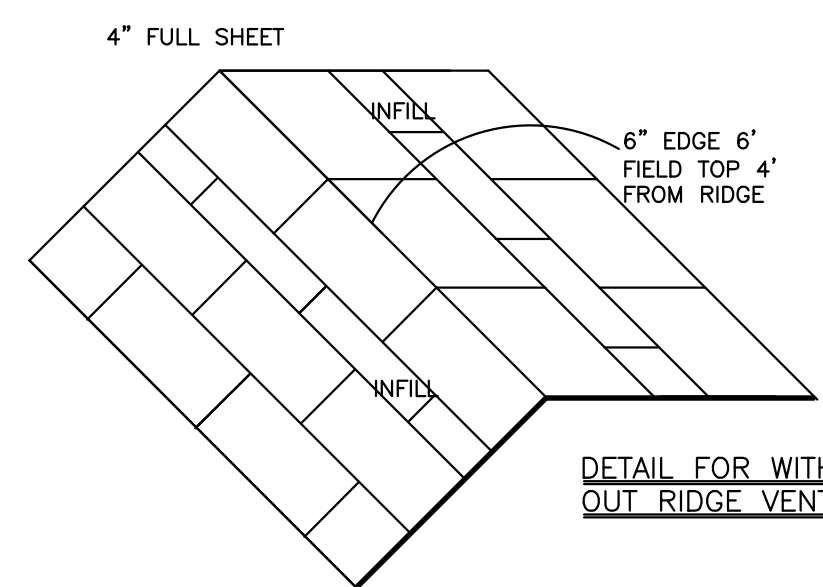
THESE PLANS HAVE BEEN PROPERLY EXAMINED BY THE UNDERSIGNED. I HAVE DETERMINED THAT THEY COMPLY WITH THE FOLLOWING EXISTING STATE AND LOCAL BUILDING CODES FOR THE JURISDICTION IN WHICH THE RESIDENCE IS TO BE LOCATED.

IN THE EVENT THAT A DIMENSIONAL DISCREPANCY IN THE DRAWINGS IS DISCOVERED BY THE GENERAL CONTRACTOR, SUBCONTRACTORS, ENGINEER, CONSULTANT, OR A SUPPLIER, SAID PARTY SHALL IMMEDIATELY NOTIFY THE ARCHITECT AND SUSPEND ALL ASSOCIATED WORK UNTIL SUCH TIME THAT A PROPER DETERMINATION HAS BEEN MADE BY THE ARCHITECT, WITH APPROPRIATE INSTRUCTIONS FOR RESOLUTION OF THE ISSUE. FAILURE TO REPORT KNOWN DISCREPANCIES AND CONTINUING WITH THE WORK WITHOUT NOTIFYING THE ARCHITECT SHALL RESULT IN AN ASSUMPTION OF RESPONSIBILITY FOR CORRECTIVE WORK TO ACHIEVE THE INTENDED DESIGN.

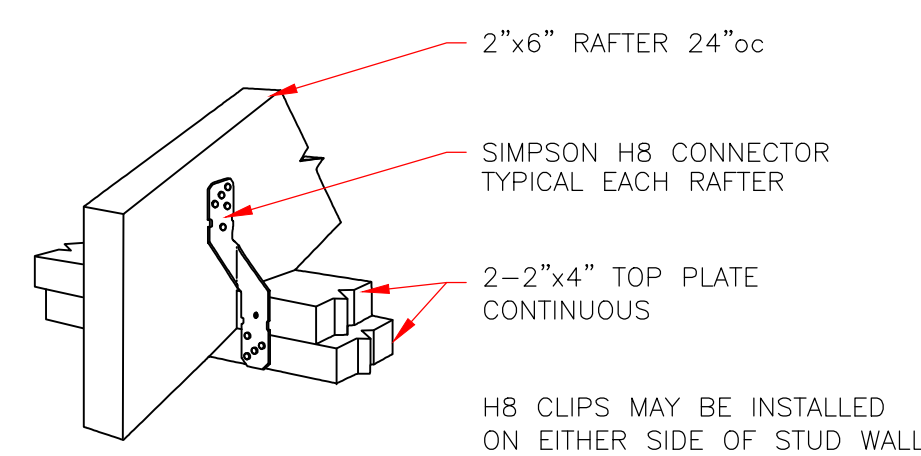
| | | | |
|--|---|--------------------------------|--|
| | JADEN HANDY VIOLA STREET ORLEANS PARISH, LA 985-774-9971 | | |
| | 8307 LAFITTE CT. CHALMETTE, LA 70043 504-279-3508 | DATE: 07/29/22 JOB NO: 7852 | |

WIND BORNE DEBRIS PROTECTION

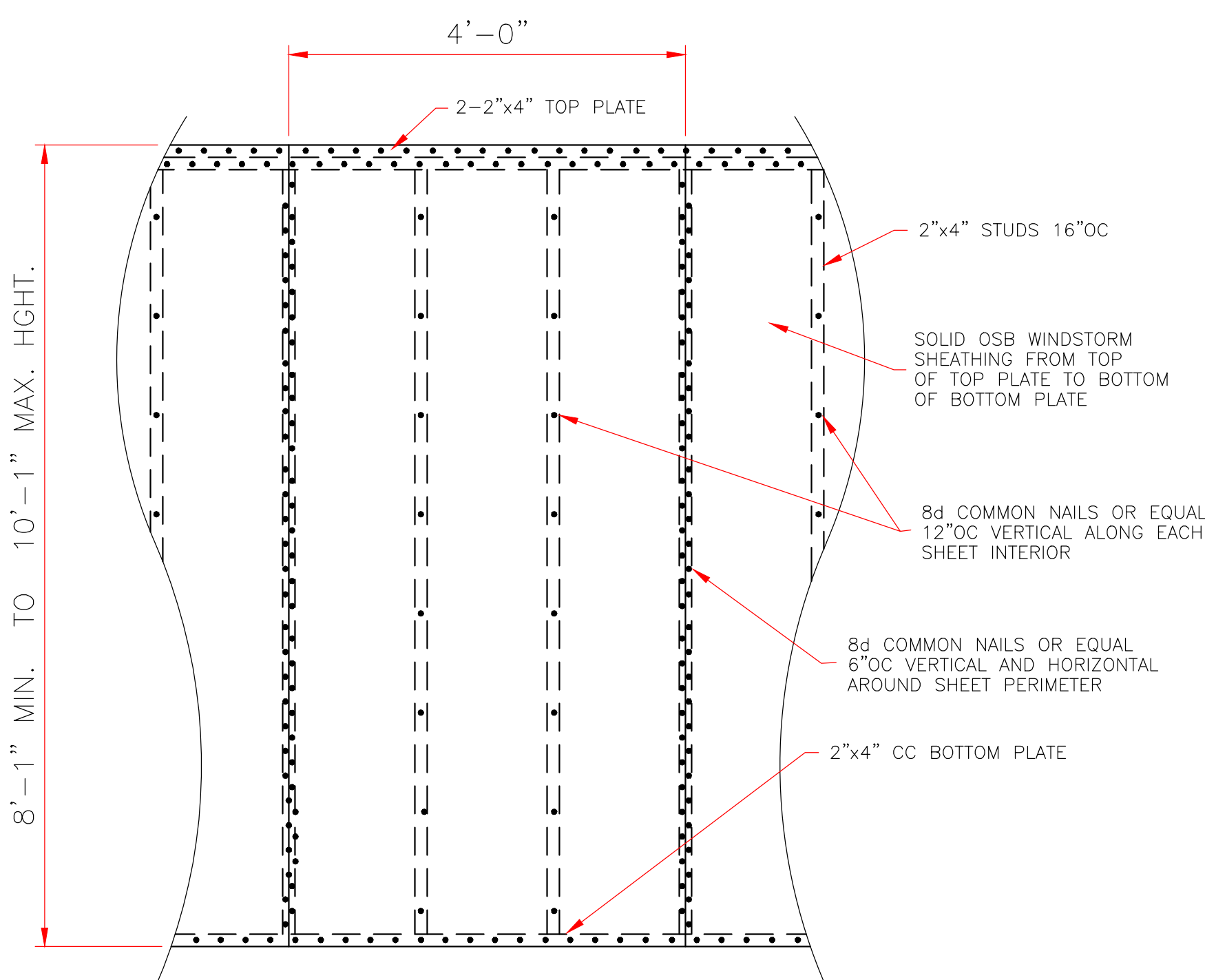
WINDOWS IN BUILDING LOCATED IN WIND BORNE DEBRIS REGIONS SHALL HAVE GLAZED OPENINGS PROTECTED FROM WIND BORNE DEBRIS. WOOD STRUCTURAL PANELS WITH A MIN. THICKNESS OF 1/2" AND A MAX. SPAN OF 8 FEET SHALL BE PERMITTED FOR OPENING PROTECTION IN ONE AND TWO STORY BUILDINGS. PANELS SHALL BE PRECUT TO COVER THE GLAZED OPENINGS WITH ATTACHMENT HARDWARE PROVIDED.



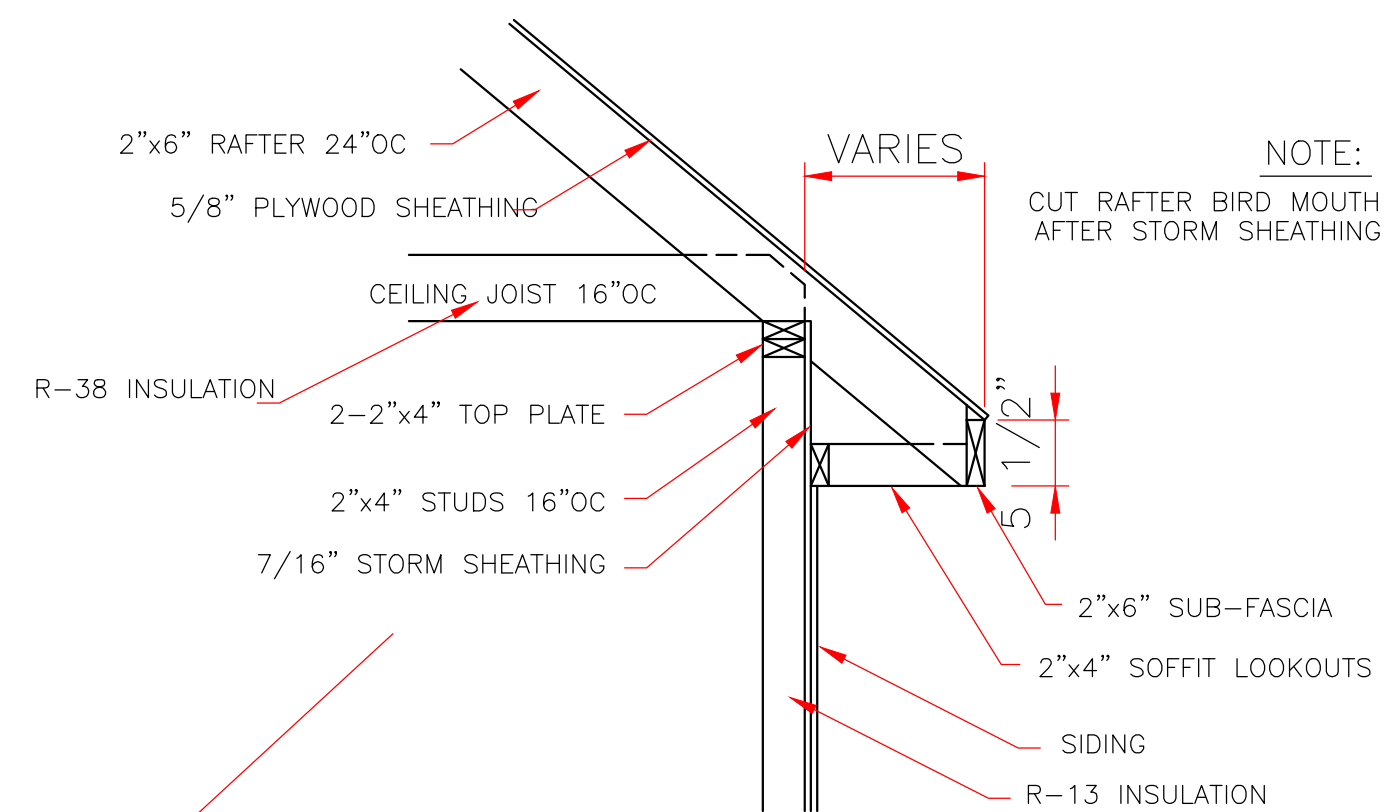
TYPICAL ROOF BRACING DETAIL
NOT TO SCALE



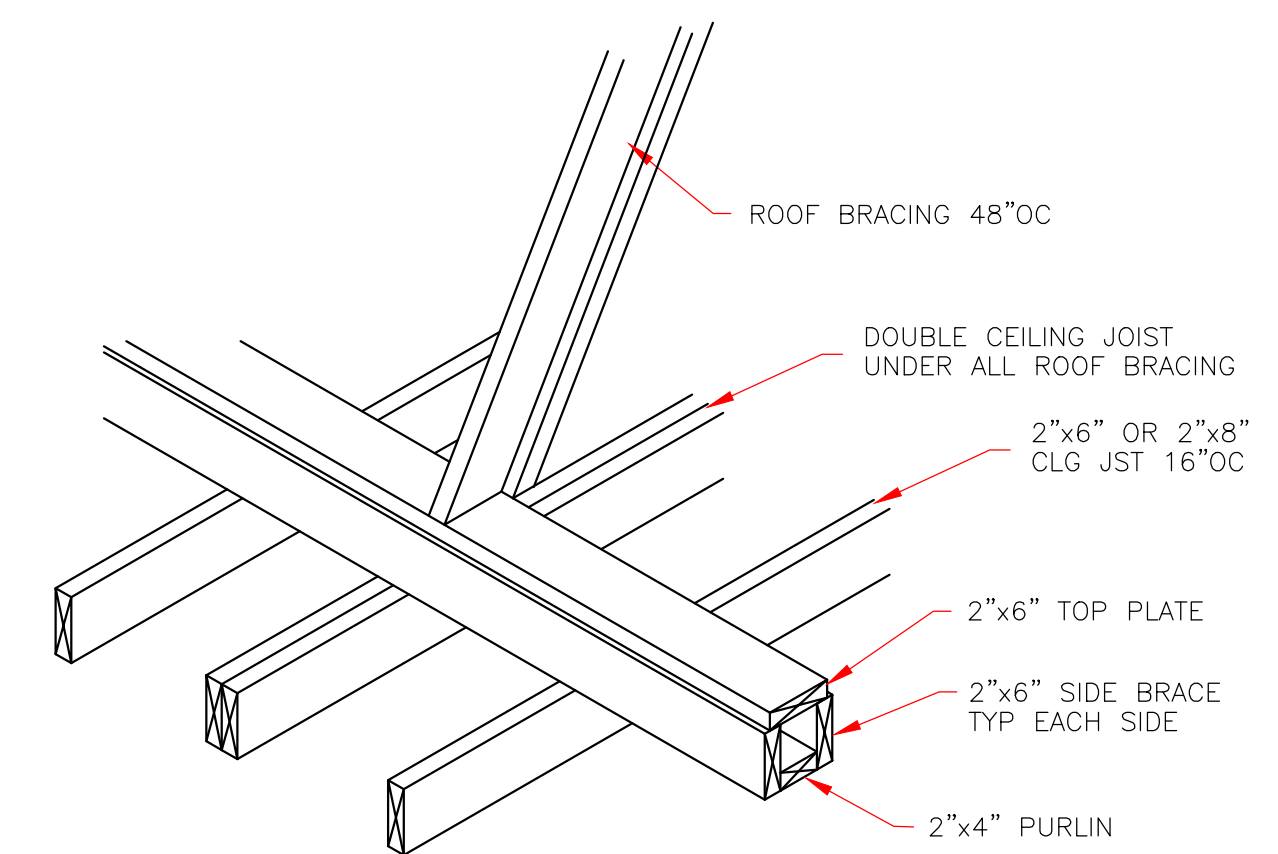
RAFTER TO TOP PLATES
NOT TO SCALE



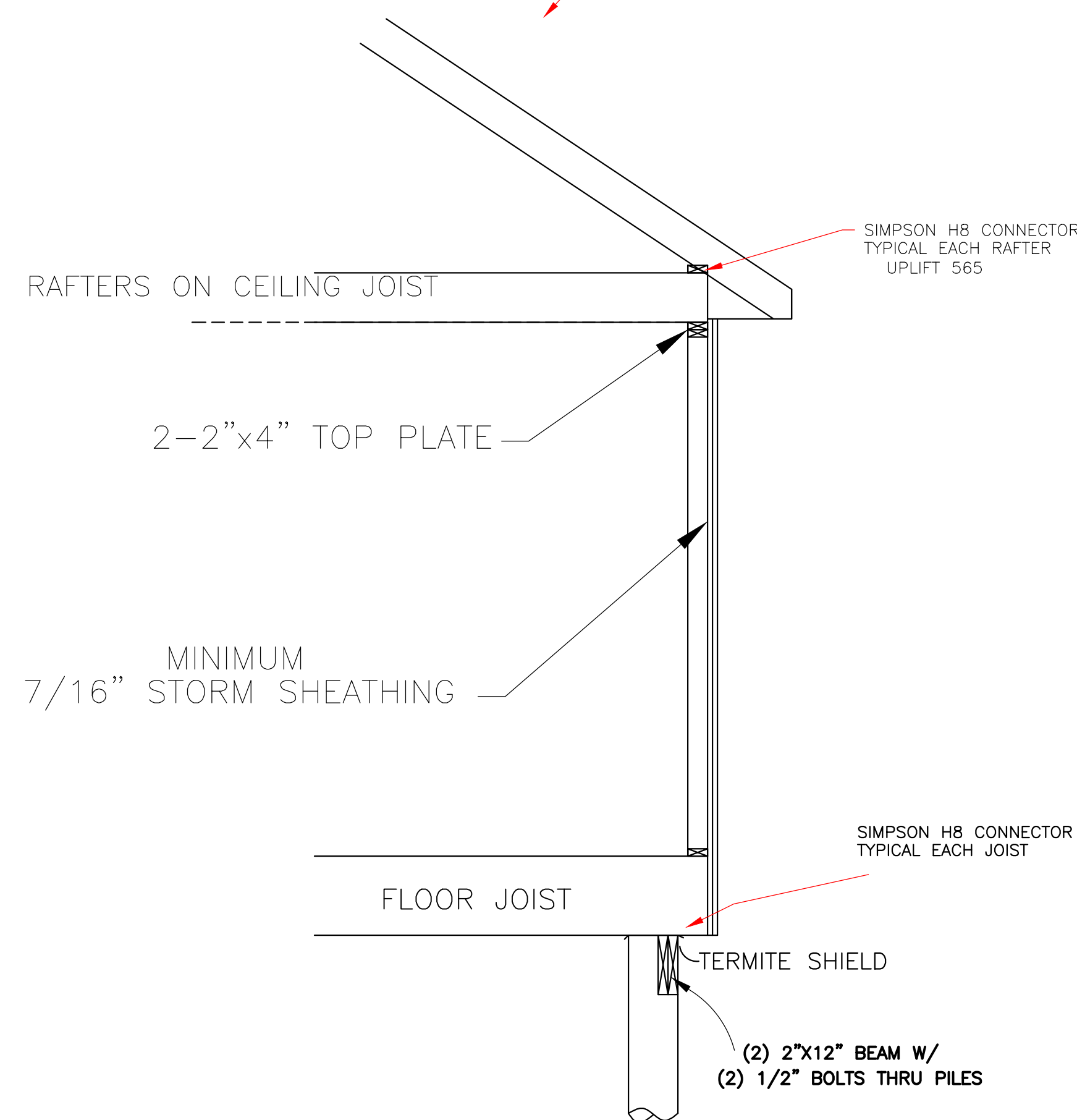
7/16\"/>



ROOF SOFFIT DETAIL
SCALE: 3/4" = 1'-0"



STRONGBACK DETAIL
FOR 2" x 6" OR 2" x 8" JOIST
NOT TO SCALE

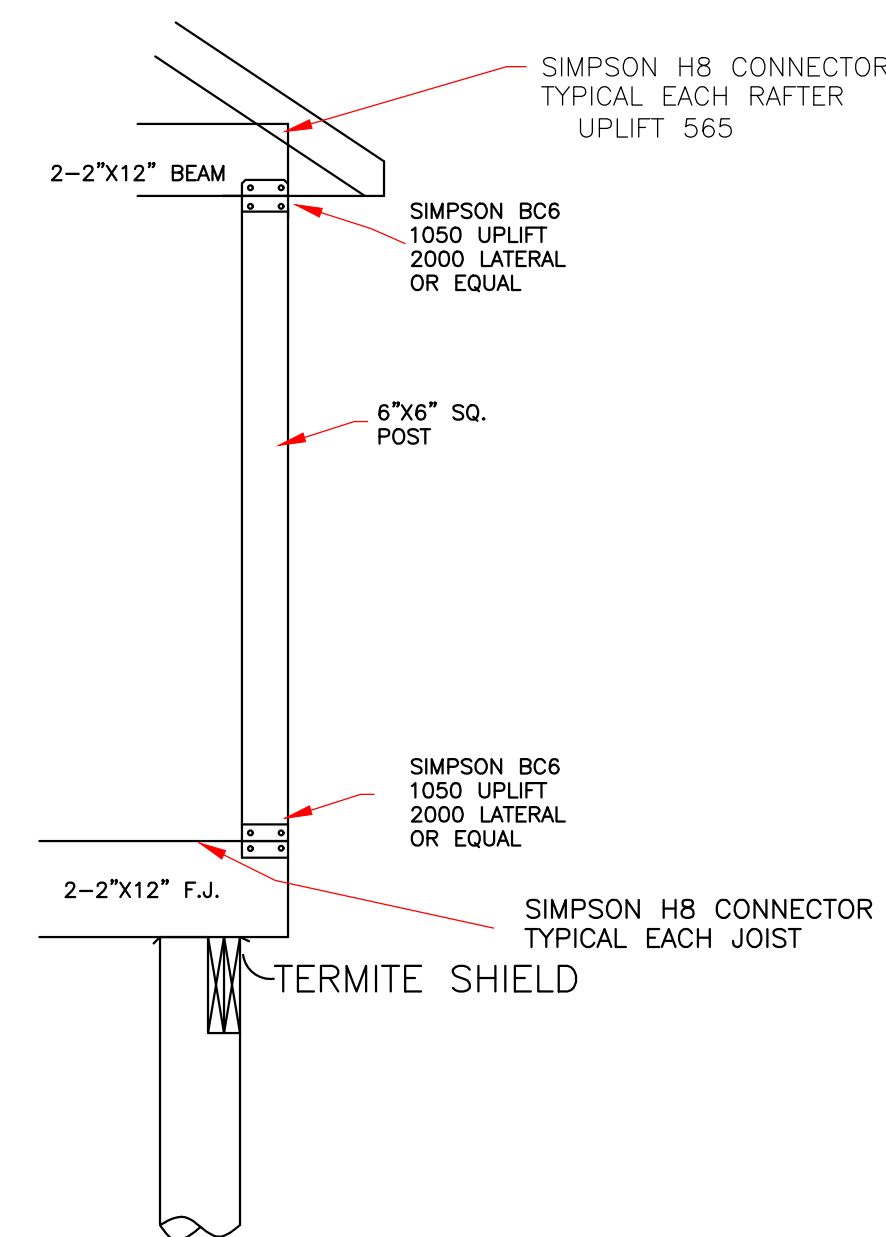


CONTINUOUS LOAD PATH
1/2" SCALE

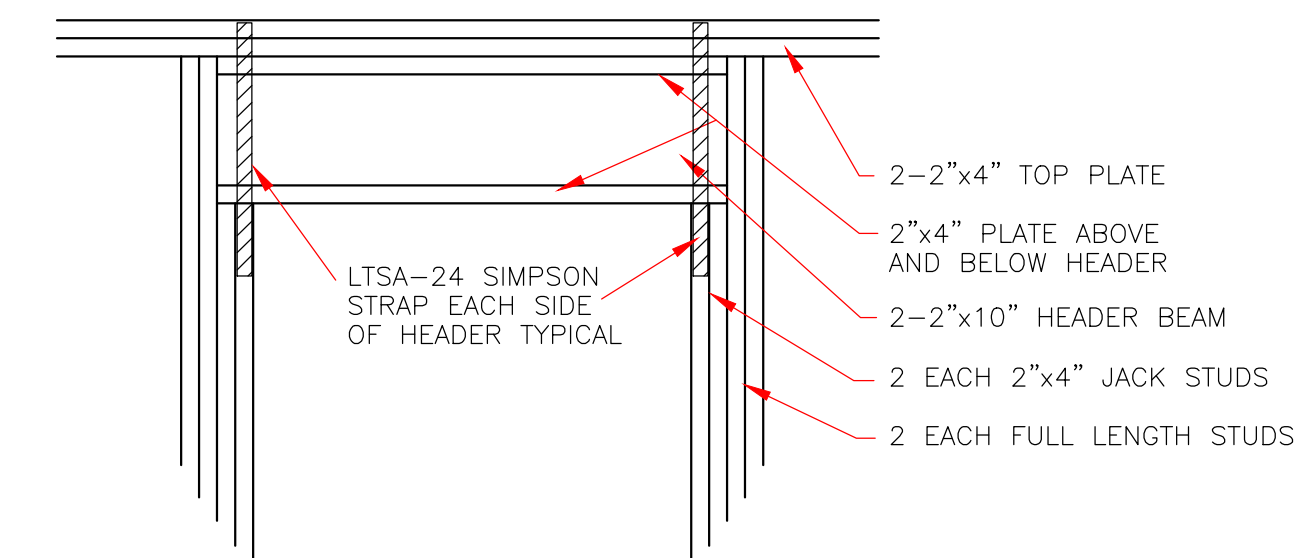
CODE COMPLIANCE:

WIND SPEED 130 MPH.

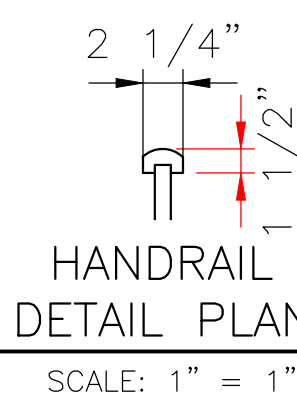
1. THE 2015 INTERNATIONAL RESIDENTIAL CODE.
2. WOOD FRAME CONSTRUCTION MANUAL FOR ONE AND TWO FAMILY DWELLINGS. (WFCM).
3. INTERNATIONAL CODE COUNCIL (ICC) STANDARD FOR RESIDENTIAL CONSTRUCTION IN HIGH WIND REGIONS (ICC600).



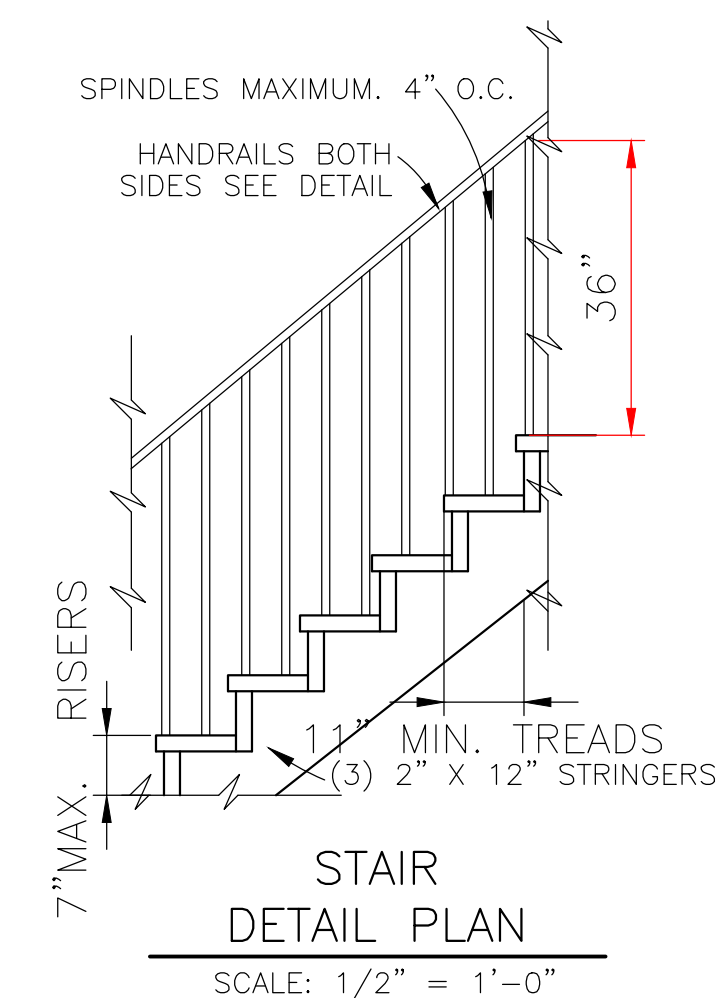
COLUMN SECTION
NOT TO SCALE



TYPICAL EXTERIOR DOOR OR WINDOW HEADER
SCALE: 3/4" = 1'-0"



HANDRAIL DETAIL PLAN
SCALE: 1" = 1"



STAIR DETAIL PLAN
SCALE: 1/2" = 1'-0"

IN THE EVENT THAT A DIMENSIONAL DISCREPANCY IN THE DRAWINGS IS DISCOVERED BY THE GENERAL CONTRACTOR, SUBCONTRACTORS, ENGINEER, CONSULTANT, OR A SUPPLIER, SAID PARTY SHALL IMMEDIATELY NOTIFY THE ARCHITECT AND SUSPEND ALL ASSOCIATED WORK UNTIL SUCH TIME THAT A PROPER DETERMINATION HAS BEEN MADE BY THE ARCHITECT, WITH APPROPRIATE INSTRUCTIONS FOR RESOLUTION OF THE ISSUE. FAILURE TO REPORT KNOWN DISCREPANCIES AND CONTINUING WITH THE WORK WITHOUT NOTIFYING THE ARCHITECT SHALL RESULT IN AN ASSUMPTION OF RESPONSIBILITY FOR CORRECTIVE WORK TO ACHIEVE THE INTENDED DESIGN.

THESE PLANS HAVE BEEN PROPERLY EXAMINED BY THE UNDERSIGNED. I HAVE DETERMINED THAT THEY COMPLY WITH THE FOLLOWING EXISTING STATE AND LOCAL BUILDING CODES FOR THE JURISDICTION IN WHICH THE RESIDENCE IS TO BE LOCATED.

| | | | |
|---|--|---|--------------------|
| LARRY TRUMBATURI 8307 LAFITTE CT. CHALMETTE, LA 70043 504-279-3508 | | JADEN HANDY VIOLA STREET ORLEANS PARISH, LA 985-774-9971 | |
| | | DATE 07/29/22 | SHEET NO 5 OF 5 |