

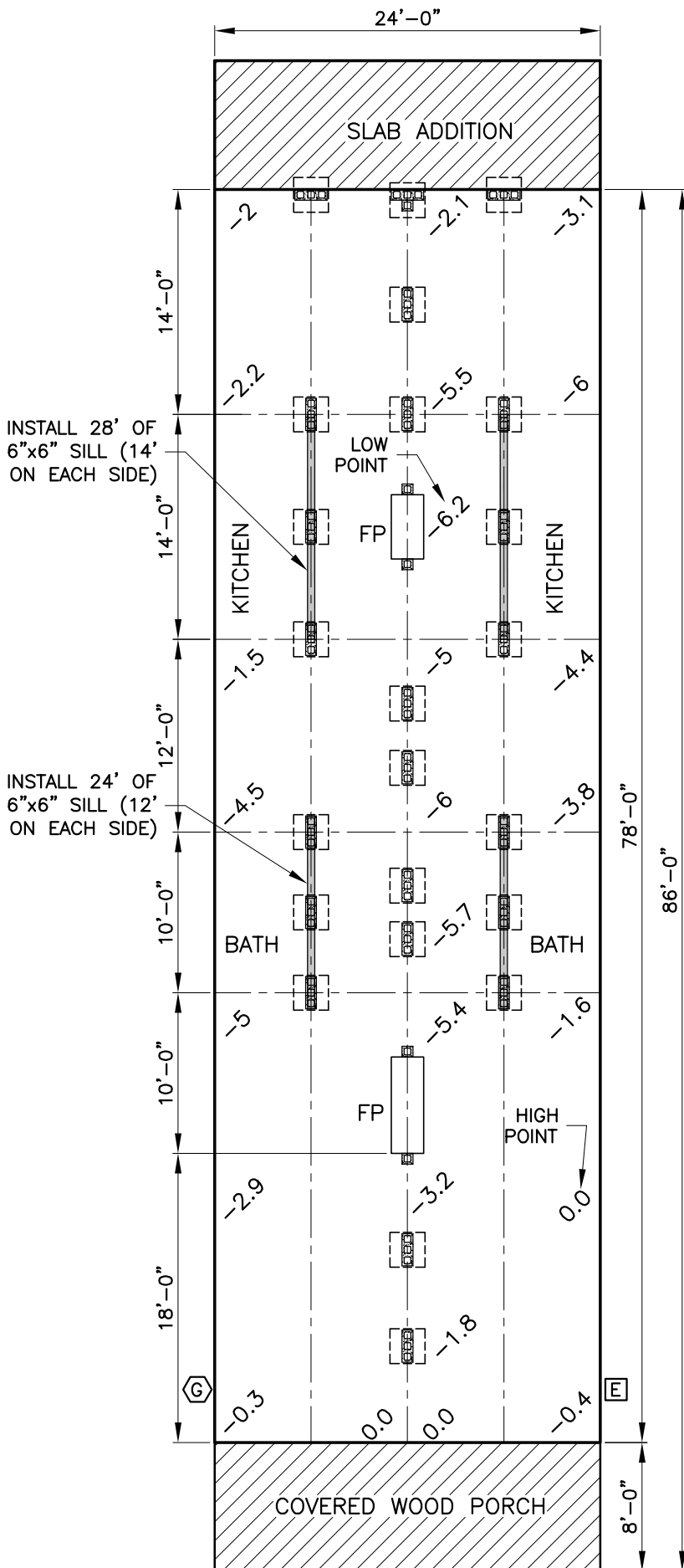
The information shown on this drawing was furnished by the contractor and cannot be verified for accuracy or completeness and is intended to apply for a building permit only. Since this project is to level the foundation only, no further investigation is needed nor is any engineering required. The compilation of this information does not relieve the contractor of responsibility for errors resultant to incorrect, incomplete or omitted data.

NOTES:

1. INSTALL 24' OF PRESSURE TREATED 6"x6" UNDER BATH (12' ON EACH BATH AREA) WITH 6 PIER SYSTEMS.
2. INSTALL 28' OF PRESSURE TREATED 6"x6" UNDER KITCHEN AREAS (14' ON EACH SIDE) WITH 6 PIER SYSTEMS UNDER NEW BEAMS.
3. REMOVE AND REPLACE 15 PIER SYSTEMS DOWN CENTER OF HOME. (27 NEW PIERS TOTAL).
4. ALL FOOTINGS TO BE 24"x24"x16" DEEP.
5. PIER SYSTEMS ARE TO BE 8"x24" CMU BLOCKS BUILT TO SILL AND SHIMMED WITH CONCRETE BOARD ON TOP OF FOOTINGS AS DESCRIBED ABOVE.

AREA:

TOTAL = 1,872 Ft.²



LEGEND:

- | | | |
|---------------|----------|-------------------------------|
| 8x24 CMU Pier | Gas | Existing Elevations in Inches |
| 8x8 CMU Pier | Electric | 26x26x16 Pier Pad |
| 6x6 Sill | | |



PROPOSED PIER LOCATION DIAGRAM

Ace House Leveling, LLC
2728 Leonidas St. New Orleans, LA 70118

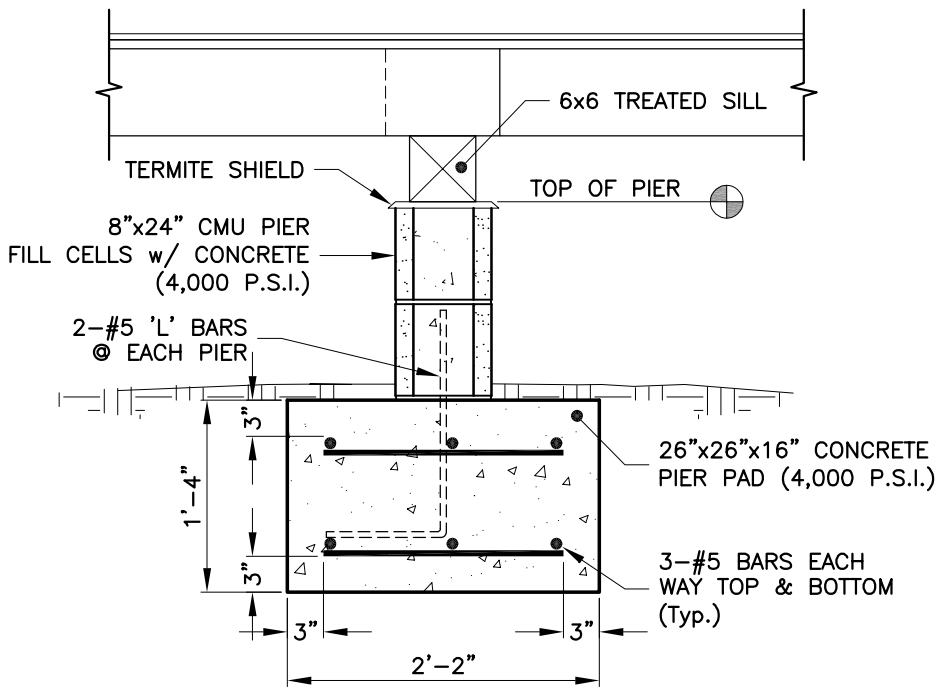
**CONTEMPORARY
ENGINEERING SERVICES, INC.**

PLANNING ❖ DESIGN ❖ CONSTRUCTION ADMINISTRATION
KENNER, LA. ***** (504) 468-6175

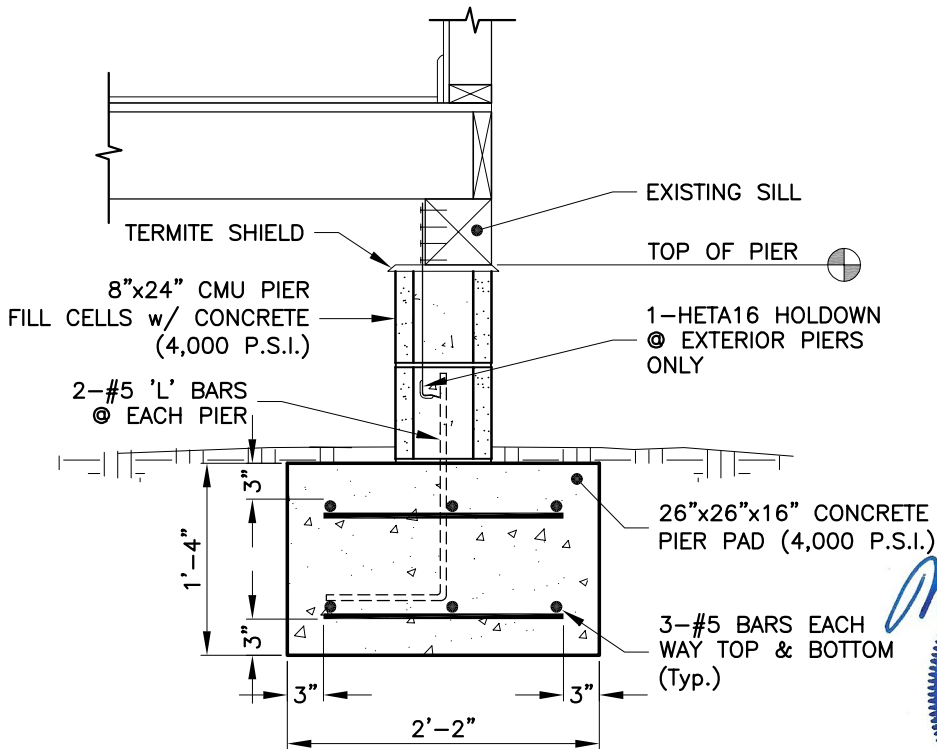
Path:
Res\Shoring\Ace

Scale:
1" = 10'

Date:
09 August 2022



2 **INTERIOR PIER**
SCALE: $\frac{3}{4}" = 1'-0"$ **PROPOSED**



1 **EXTERIOR PIER**
SCALE: $\frac{3}{4}" = 1'-0"$ **PROPOSED**



PIER DETAILS Ace House Leveling, LLC 2728 Leonidas St. New Orleans, LA 70118		
Path: Res\Shoring\Ace	Scale: $\frac{3}{4}" = 1'-0"$	Date: 08 August 2022

CONTEMPORARY
ENGINEERING SERVICES, INC.

PLANNING ❖ DESIGN ❖ CONSTRUCTION ADMINISTRATION
KENNER, LA. ***** (504) 468-6175