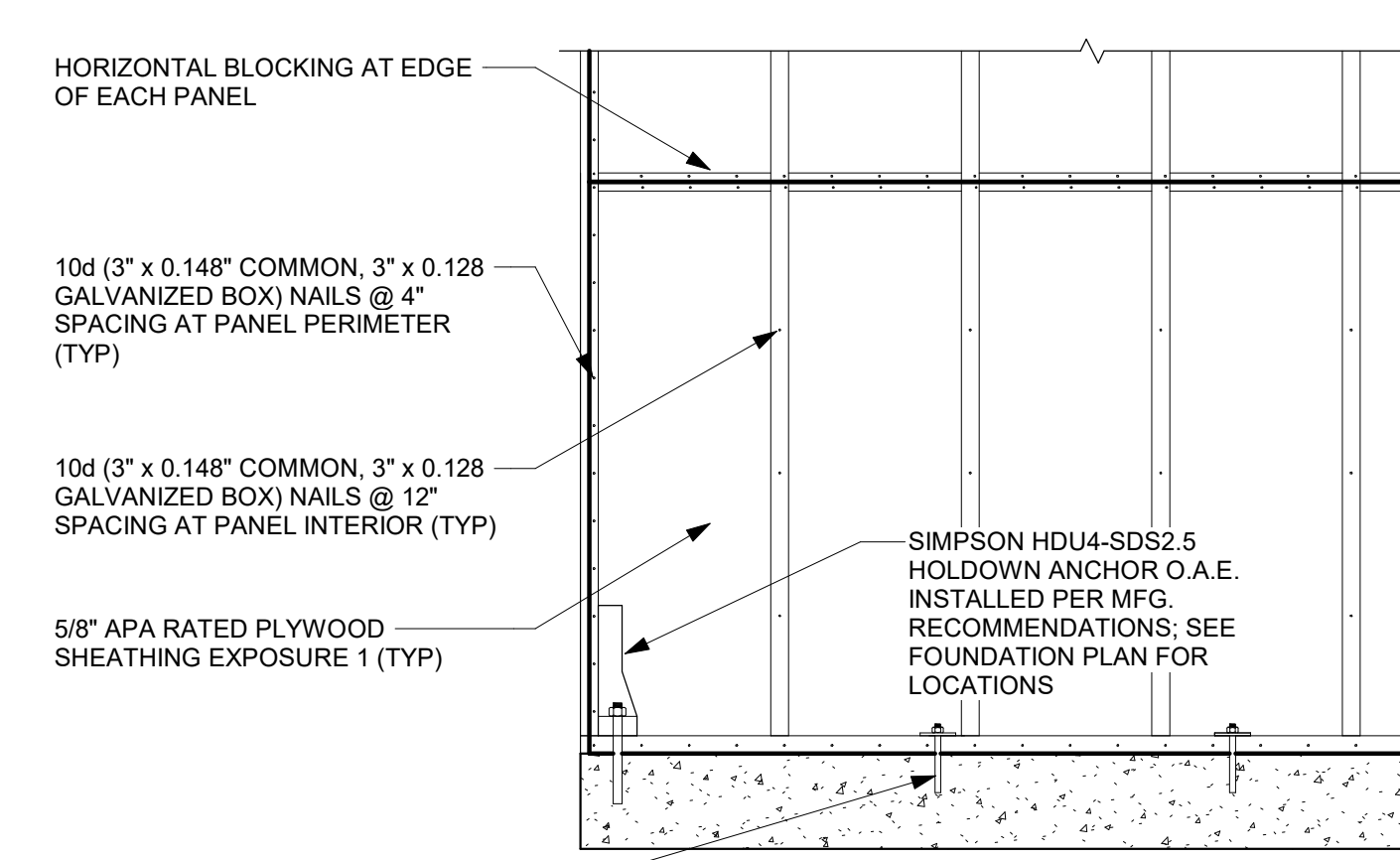


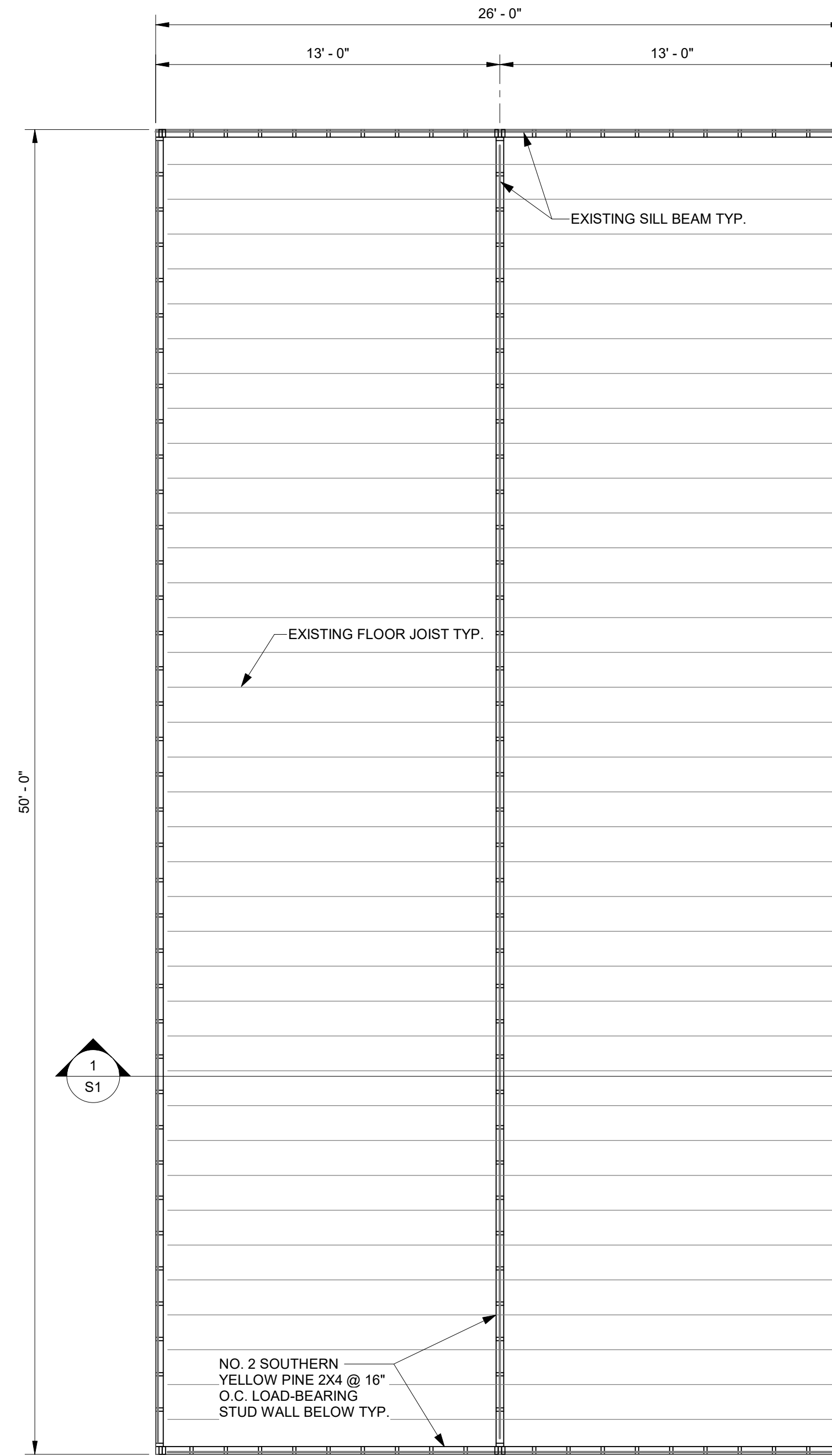
FOUNDATION PLAN

1/4" = 1'-0"



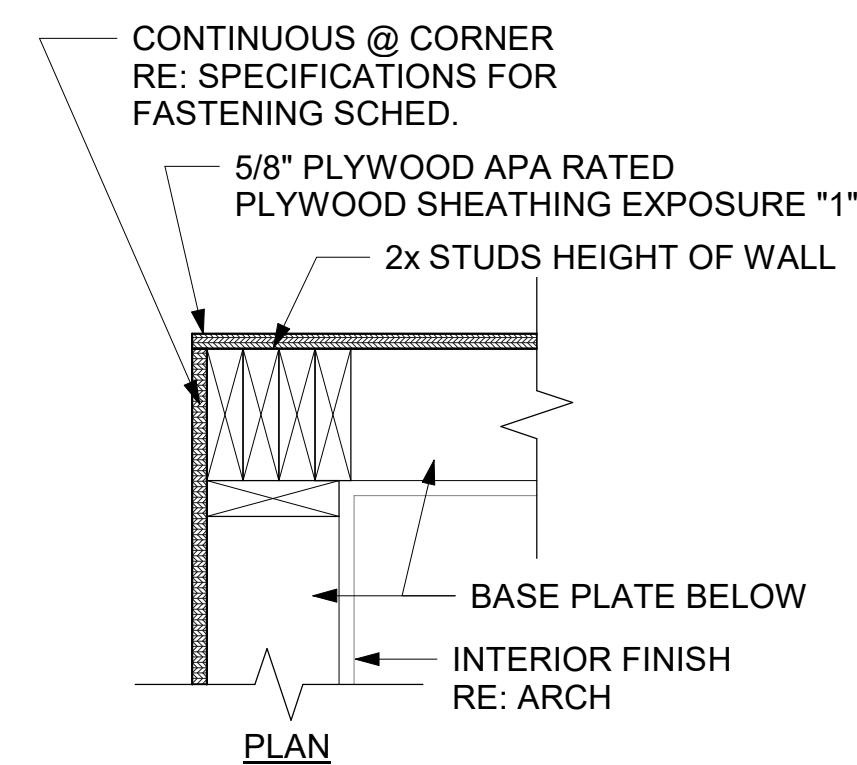
WOOD SHEAR WALL DETAIL

SEE DETAIL "A" ON THIS SHEET FOR ANCHOR SIZE & SPACING

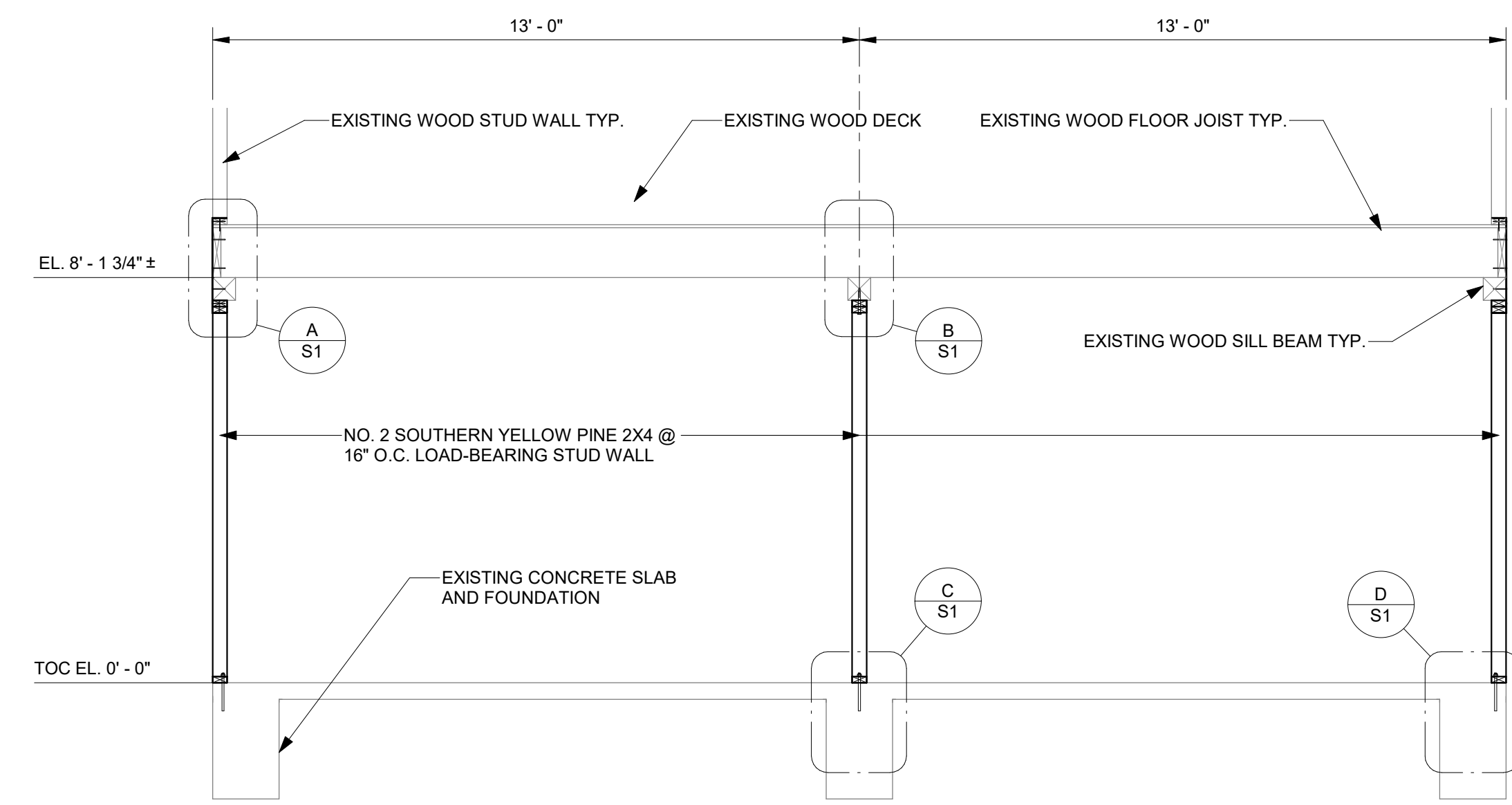


2ND FLOOR FRAMING PLAN

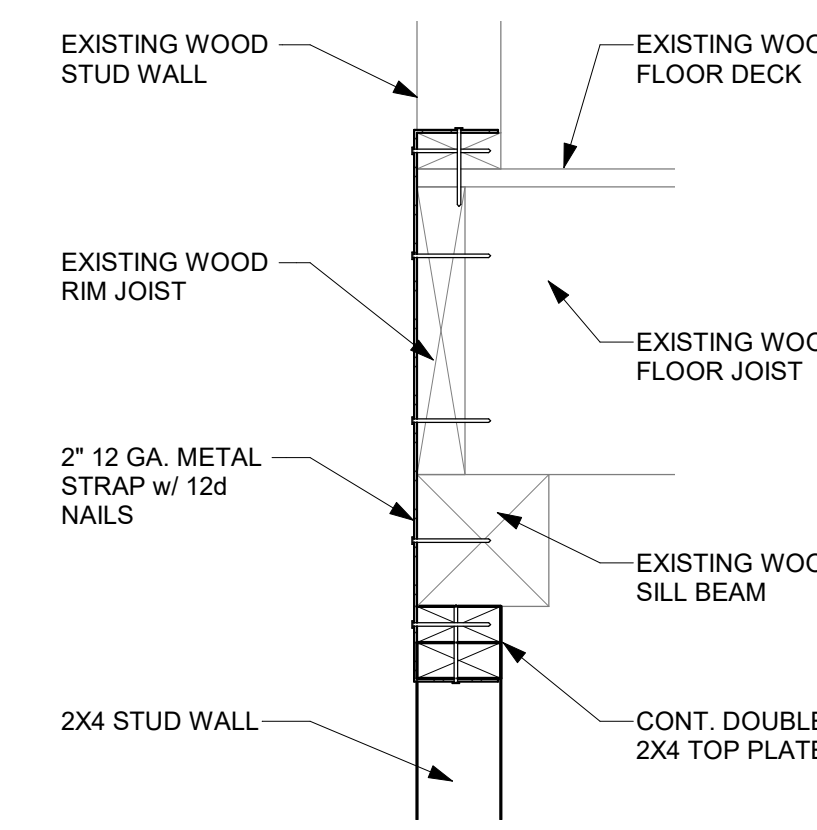
1/4" = 1'-0"



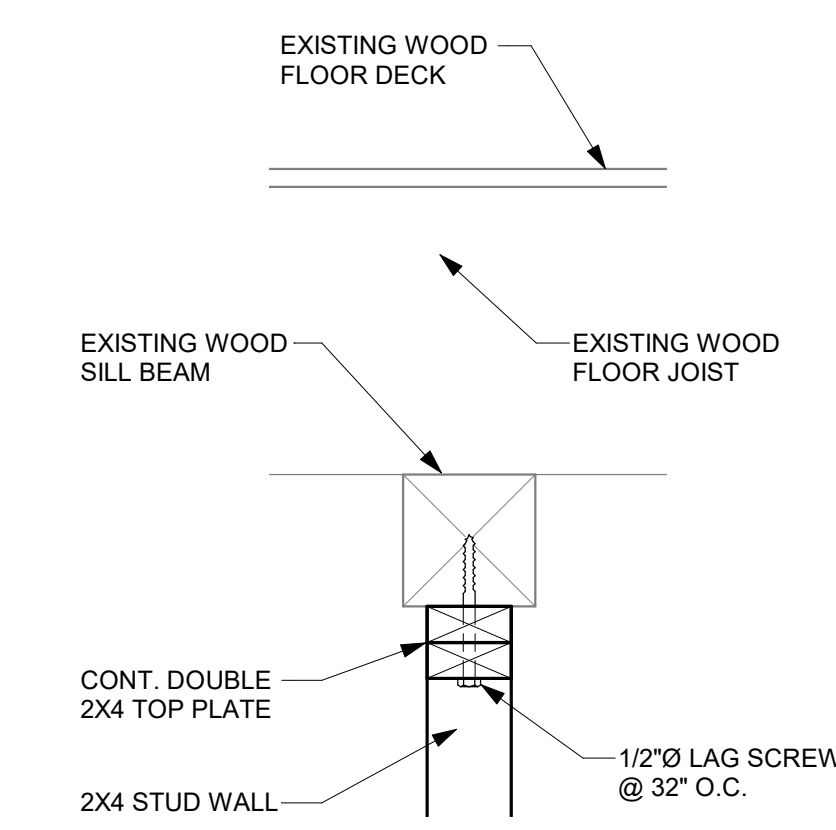
TYPICAL WOOD STUD CORNER DETAIL



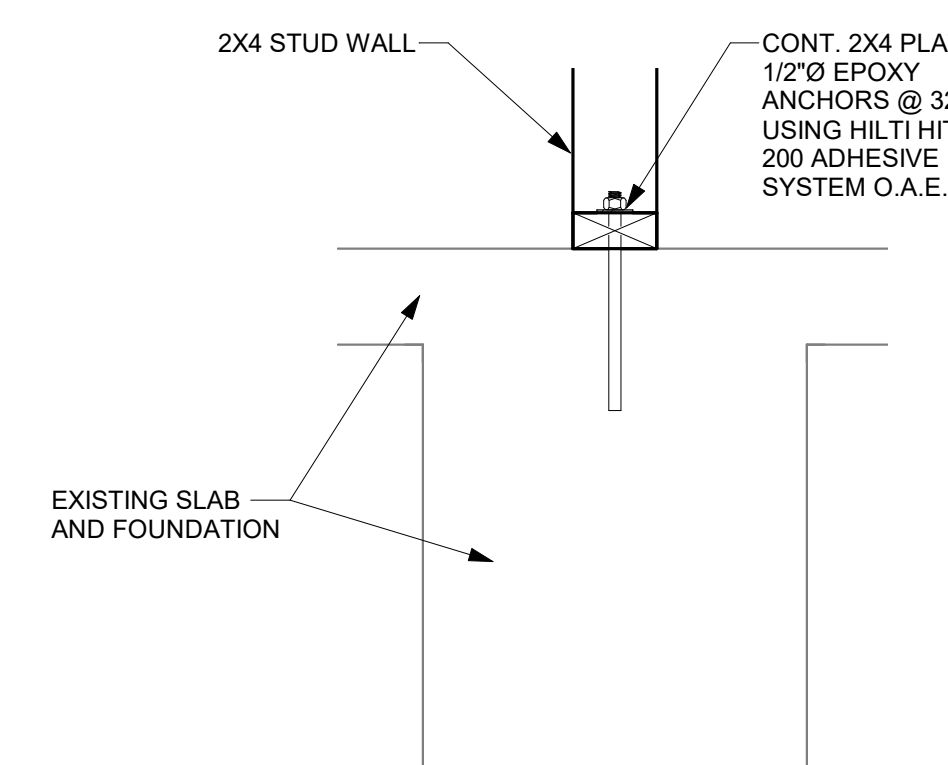
SECTION 1
3/8" = 1'-0"



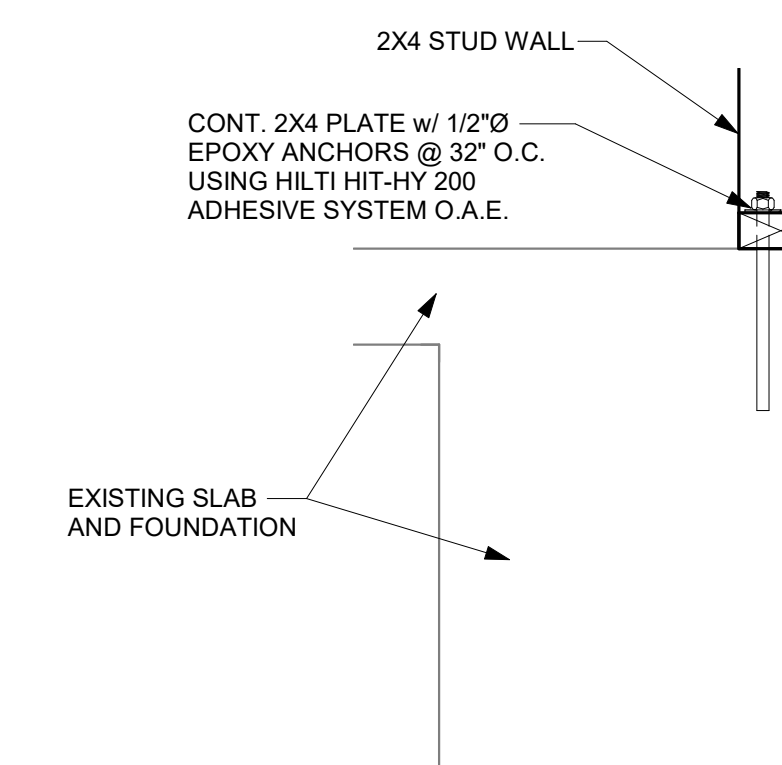
A DETAIL
1 1/2" = 1'-0"



B DETAIL
1 1/2" = 1'-0"



C DETAIL
1 1/2" = 1'-0"



D DETAIL
1 1/2" = 1'-0"