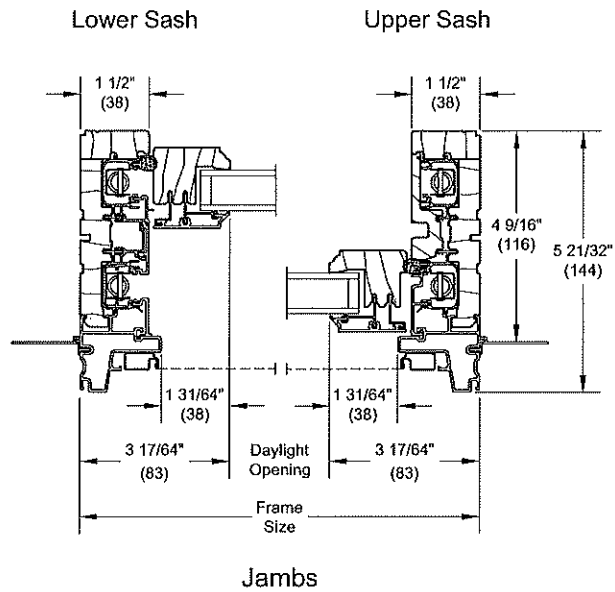
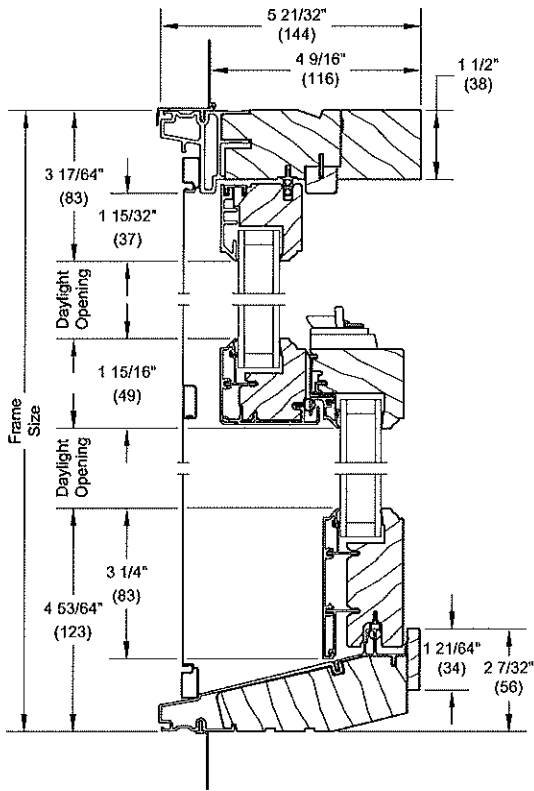


Section Details: Operating

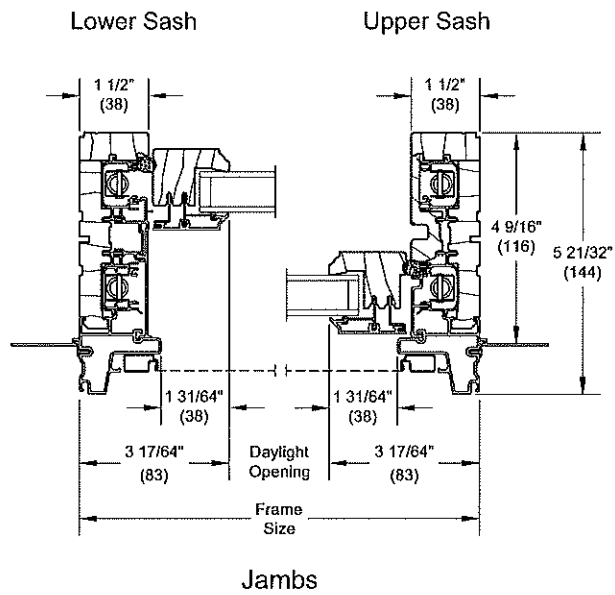
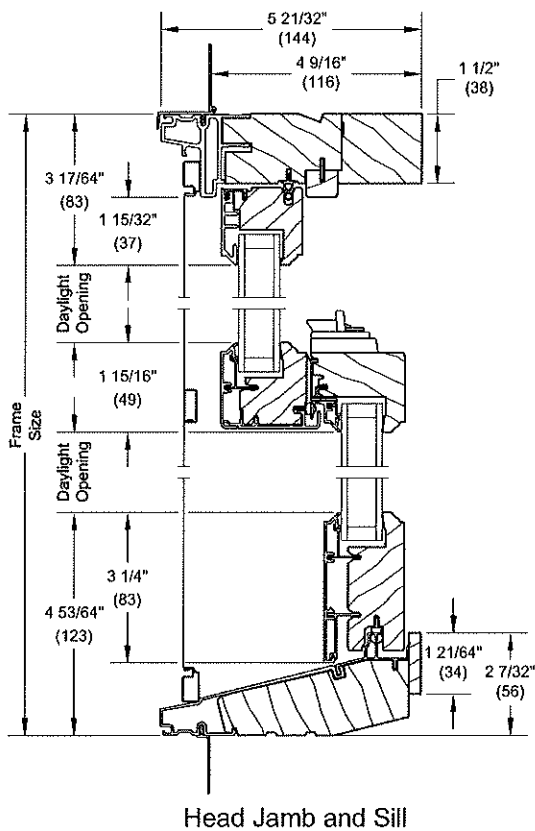
Scale: 3" = 1' 0"



Double Hung



Single Hung

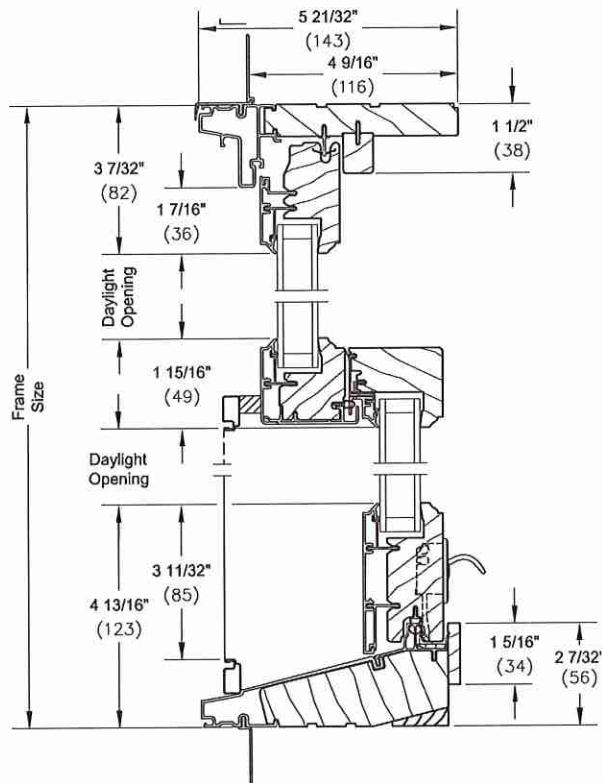


Head Jamb and Sill

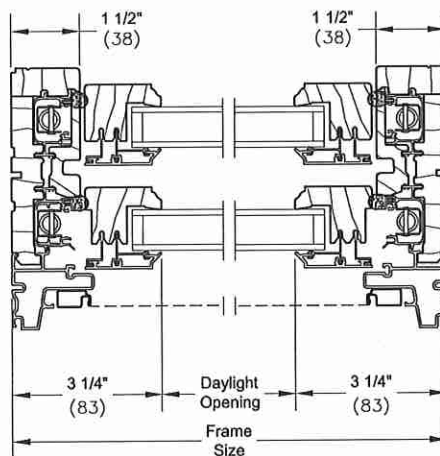
Section Details: Operating (With Optional Lift Lock Hardware)

Scale: 3" = 1' 0"

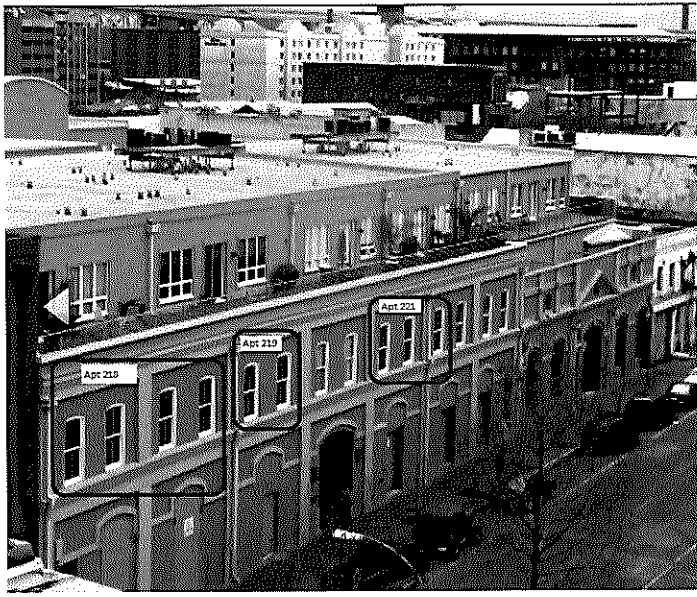
Single Hung



**Head Jamb and Sill
with Lift-Lock**



Jamb



MATERIALS KEY/NOT GENERAL NOTES

No.	Description	Date

KEY PLAN

Mathes Brierre
ARCHITECTS

301 St. Charles Avenue, Forty-Fifth Floor
New Orleans, Louisiana 70112-4160
Phone: 504.488.1203 Fax: 504.482.1205

PROJECT TITLE

**SUGAR PLANTATION
WINDOW REPLACEMENT**

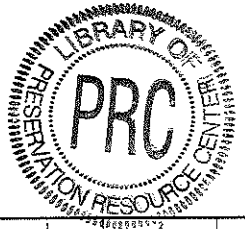
840 Tchoupitoulas Street, New Orleans, La. 70130

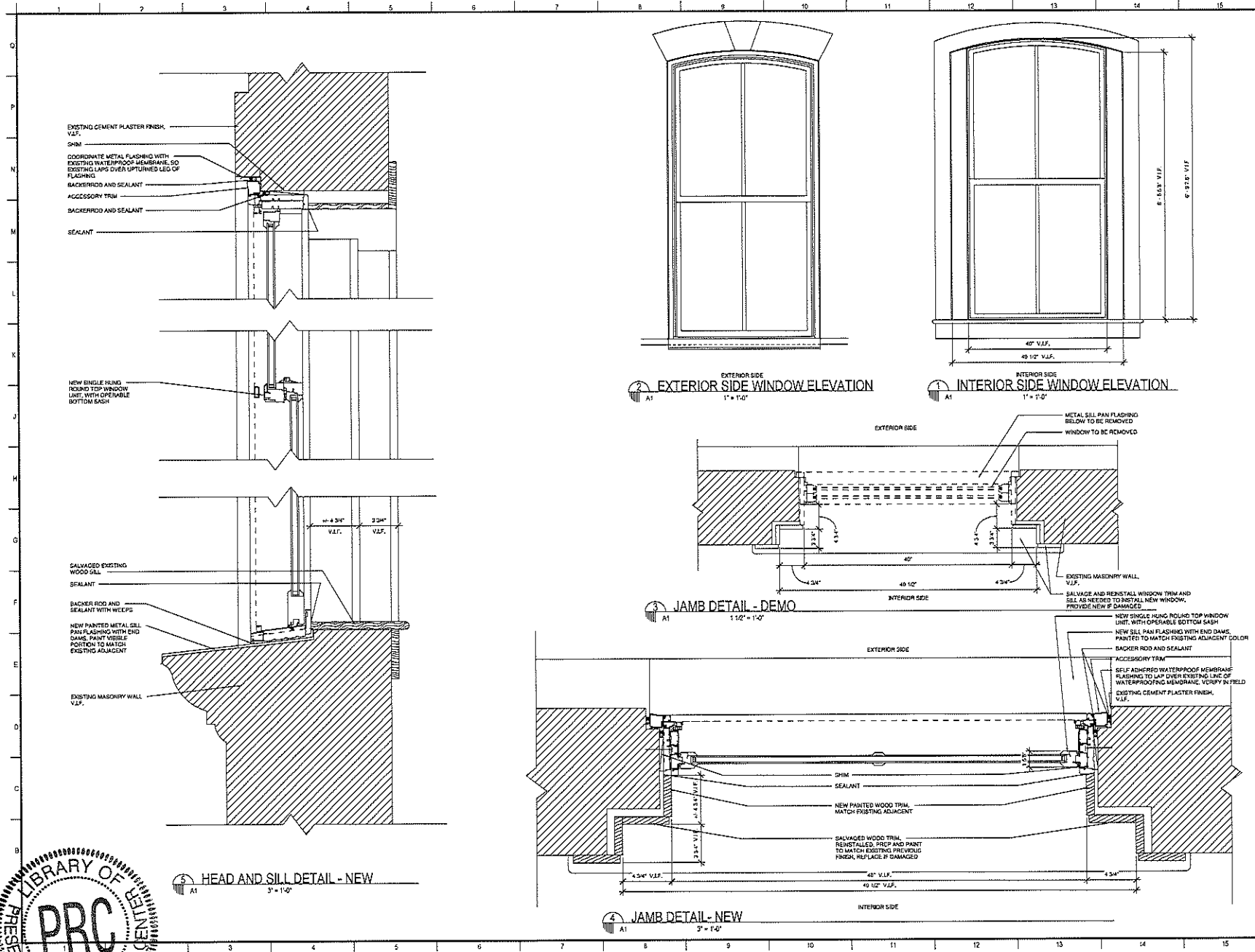
DESIGNED BY	AM	CHECKED BY	AM
DRAWN BY	JB	DATE	1/14/2021

SHEET TITLE

EXTERIOR PHOTOS

PROJECT NO. **11750** SHEET NO. **A2**





MATERIALS AND GENERAL NOTES

- GENERAL NOTES:**
 1. VERIFY ALL EXISTING CONDITIONS IN FIELD
 2. IF WINDOWS OR SECOND FLOOR TO BE REPLACED, VERIFY LOCATION WITH OWNER
 3. TAKE CARE TO NOT DAMAGE EXISTING ADJACENT CONDITIONS TO REMAIN.

No.	Description	Date

FOY PLAN

Mathes Brierre ARCHITECTS
 201 St. Charles Avenue, Forty-Fifth Floor
 New Orleans, Louisiana 70112-1010
 Phone: 504.586.0262 Fax: 504.586.1398

PROJECT TITLE

SUGAR PLANTATION WINDOW REPLACEMENT

840 Tchoupitoubes Street, New Orleans, La. 70130

DESIGNED BY	JB	DRAWN BY	PP
CHECKED BY	JB	DATE	1/14/2021
PROJECT TITLE: WINDOW ELEVATIONS & DETAILS			
PROJECT NO.	11750	SHEET NO.	A1

