

BARONNE STREET HOTEL

1426 Baronne Street, New Orleans, Louisiana

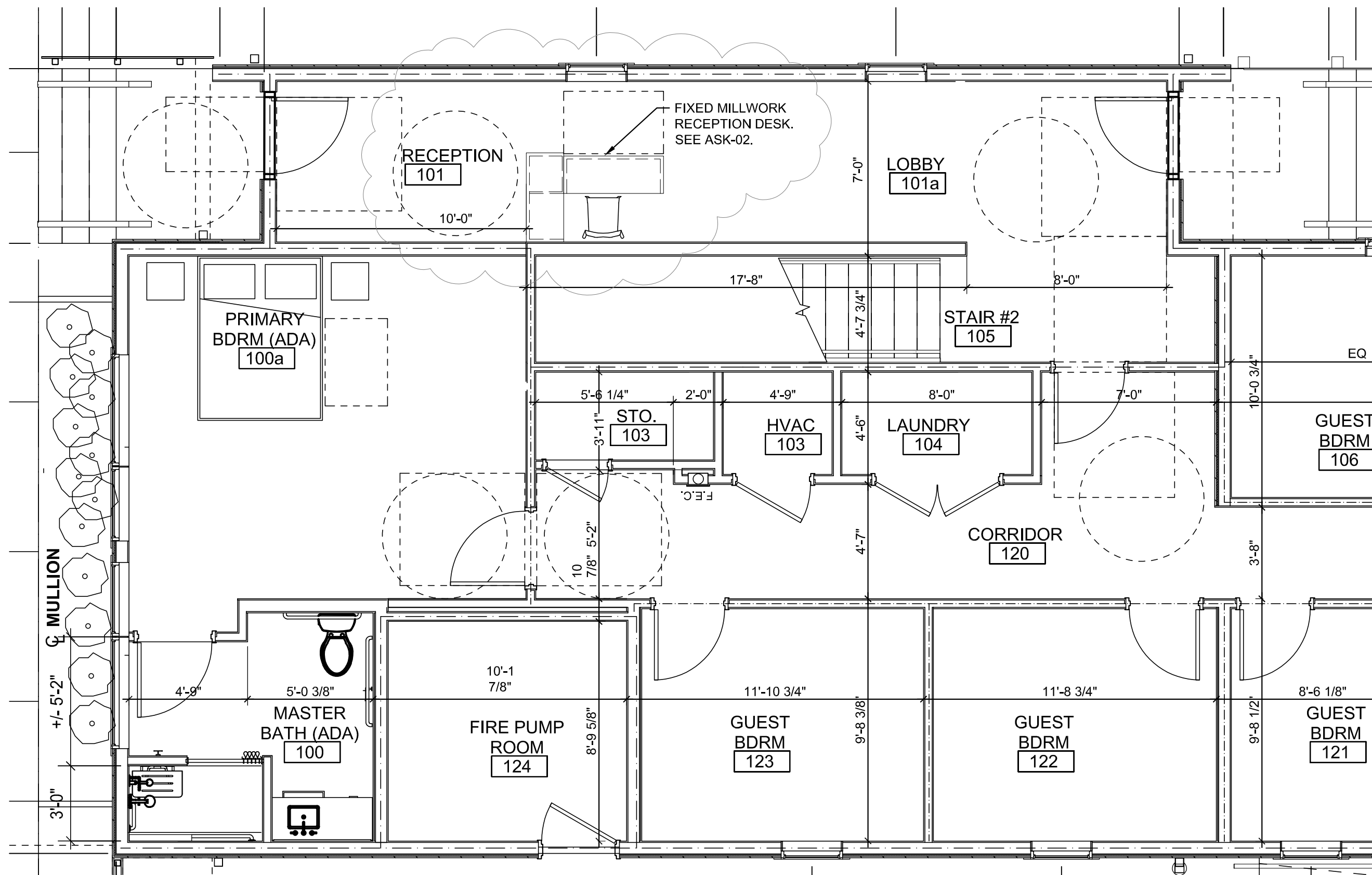
PROJECT NO. 21009
PHASE PERMITTING
DATE 08.04.2022
DRAWN BY
CHECKED BY

This drawing, as an instrument of service, is and shall remain the property of the architect and shall not be reproduced, published, or used in any way without the permission of the architect.
© Holly & Smith Architects, APAC

ISSUED WITH:

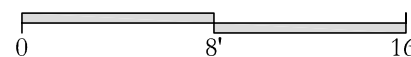
ASK
001

H/S



1 PARTIAL FIRST FLOOR PLAN

SCALE: 1/8" = 1'-0"



BARONNE STREET HOTEL

1426 Baronne Street, New Orleans, Louisiana

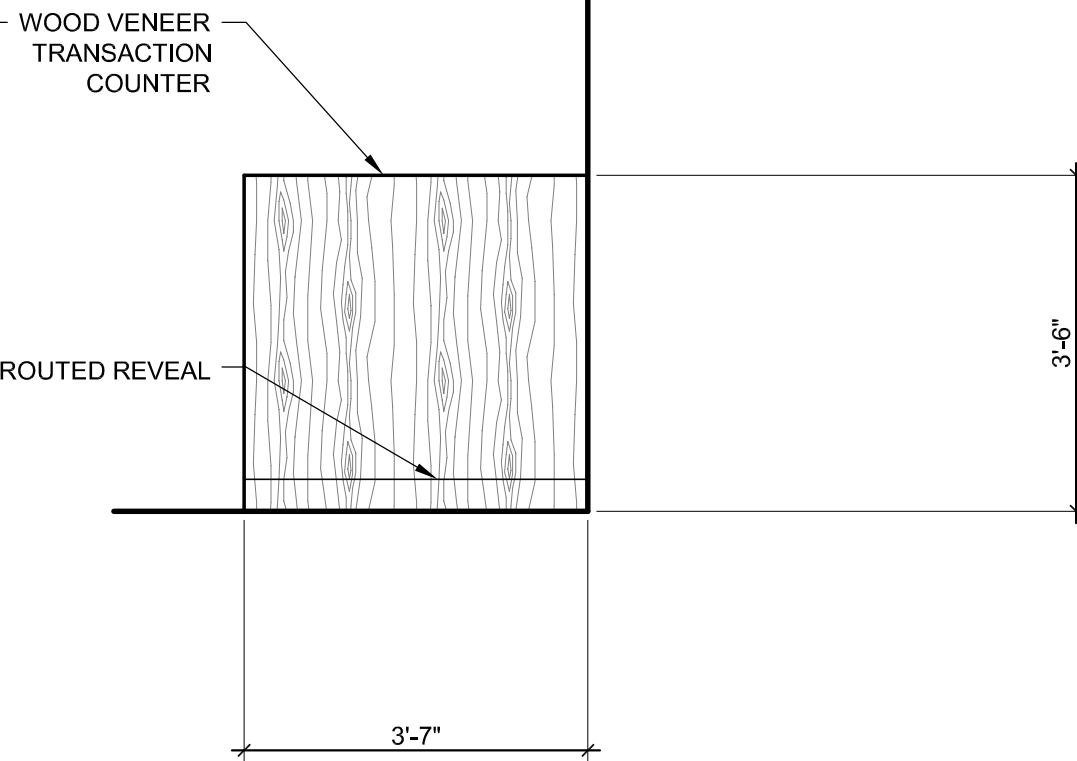
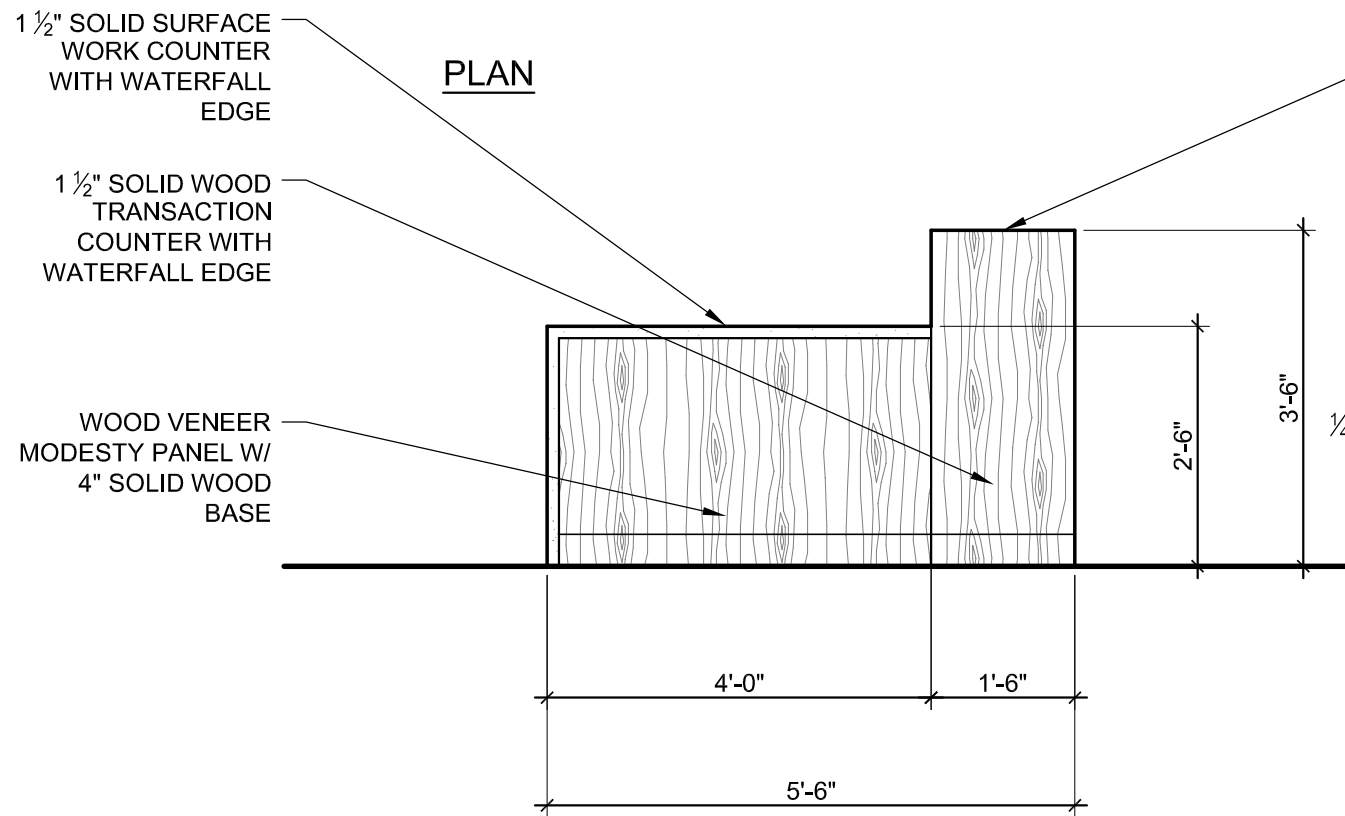
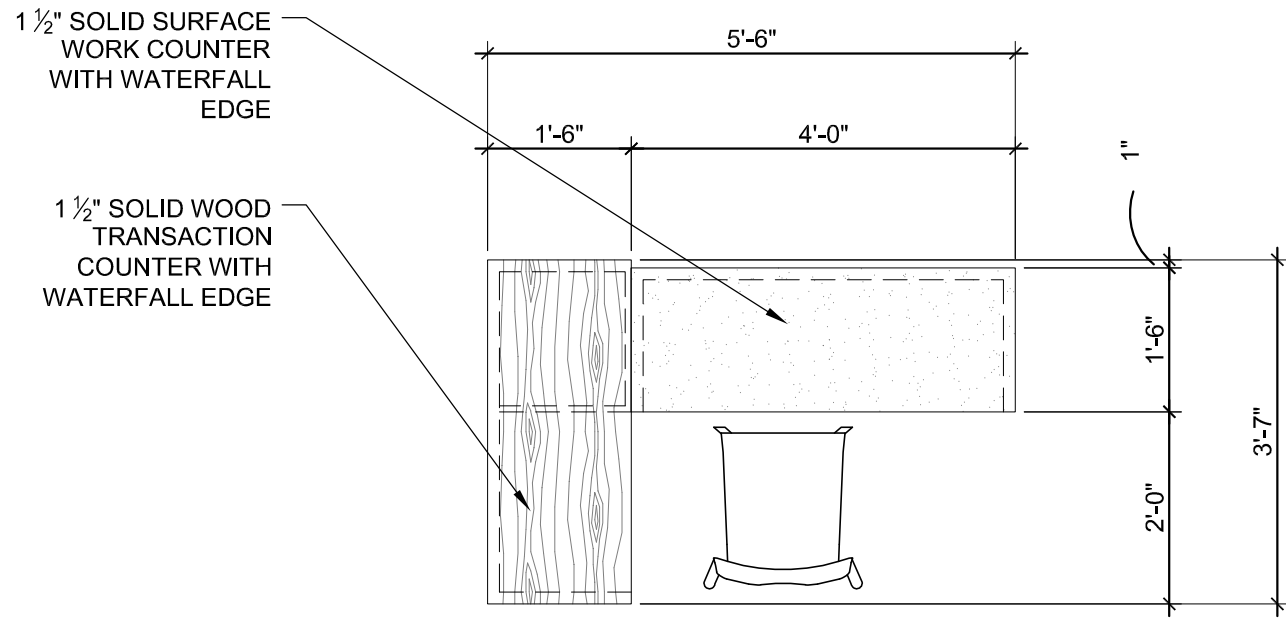
PROJECT NO.	21009
PHASE	PERMITTING
DATE	08.04.2022
DRAWN BY	-
CHECKED BY	-

This drawing, as an instrument of service, is and shall remain the property of the architect and shall not be reproduced, published, or used in any way without the permission of the architect.
© Holly & Smith Architects, APAC

ISSUED WITH: -

ASK
002

H/S



1 RECEPTION DESK

SCALE: 1/2" = 1'-0"

