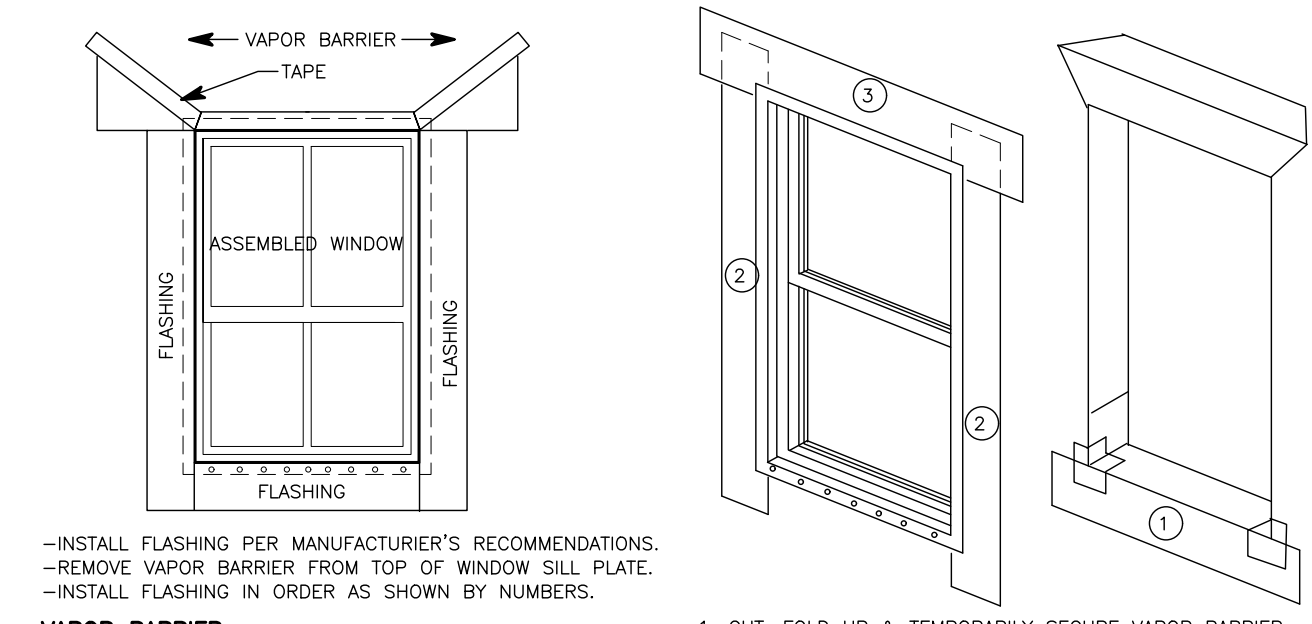
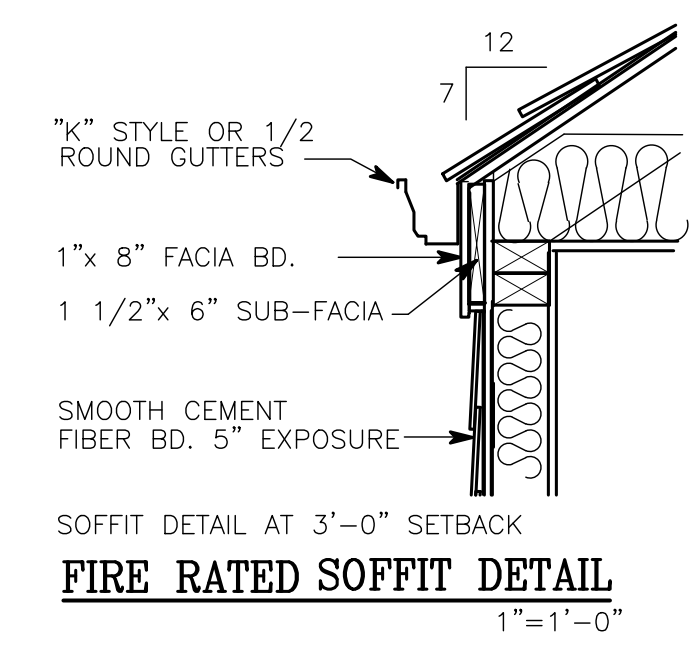


FRONT PORCH SOFFIT DETAIL
1" = 1'-0"



-INSTALL FLASHING PER MANUFACTURER'S RECOMMENDATIONS.
-REMOVE VAPOR BARRIER FROM TOP OF WINDOW SILL PLATE.
-INSTALL FLASHING IN ORDER AS SHOWN BY NUMBERS.

VAPOR BARRIER:
AT A 45 DEGREE ANGLE, CAREFULLY CUT THE BARRIER ON A DIAGONAL, GENTLY RAISE THE TOP EDGE OF THE BARRIER UP & CORNERS AND CENTER TO THE EXTERIOR SURFACE ABOVE.

1. CUT, FOLD UP & TEMPORARILY SECURE VAPOR BARRIER ABOVE HEADER TO ALLOW FOR FLASHING INSTALLATION.
2. INSTALL FLASHING UNDER VAPOR BARRIER ALONG HEADER, UP & CORNERS AND CENTER TO THE EXTERIOR SURFACE ABOVE.
3. FOLD VAPOR BARRIER BACK OVER FLASHING & SEAL W/ TAPE AS SHOWN ABOVE.

FLASHING DETAIL DIAGRAM
N.T.S.



REAR ELEVATION
1" = 4'-0"



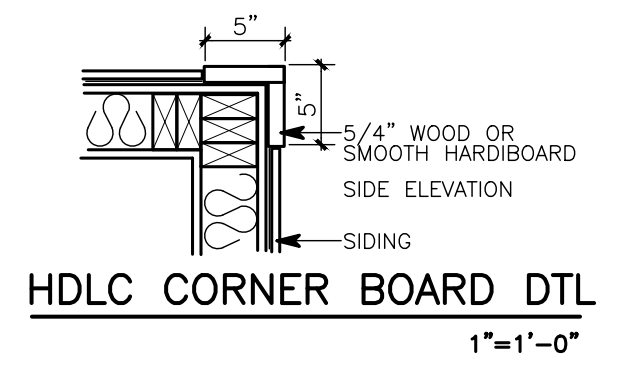
LEFT SIDE ELEVATION
1" = 4'-0"



FRONT ELEVATION
1" = 4'-0"



RIGHT SIDE ELEVATION
1" = 4'-0"



ELEV. OF FINISHED FLOOD +3.25' NAVD

BASE FLOOD ELEV. N/A

ELEV. OF EXISTING GRADE -0.25' NAVD

EXIST. TOP OF CURB -0.60' NAVD

36" HIGH RAILING
GUARD RAILINGS SHALL BE DESIGNED IN ACCORDANCE W/ SEC. R312, IRC 2015 ED.



THESE PLANS HAVE BEEN PREPARED UNDER MY PERSONAL SUPERVISION & TO THE BEST OF MY KNOWLEDGE COMPLY WITH THE IBC 2015 ed & THE IRC 2015 ed BUILDING CODES. I AM NOT SUPERVISING CONSTRUCTION.

MARK SCHROEDER, ARCHITECT, AIA
400 HARRISON AVE. SUITE A NO. LA. 70124
504/581-1100

AMG Designs, LLC

2918 S SARATOGA	
Drawing Title BUILDING ELEVATIONS & SITE PLAN	
Scale 1" = 4'-0"	SHT. # 2
Drawing Files DRAMATICHOMES 4.DWG	Date 6/3/2022
Drawn by M. SCHROEDER	OP 5