

**DEPARTMENT OF SAFETY & PERMITS
CITY OF NEW ORLEANS**

PERMIT NO: _____ DATE: _____

ADDRESS: 5430-32 LAUREL STREET SUBDIVISION: RICKERVILLE

DISTRICT: SIXTH SQUARE: 132 LOTS: 13

COMMUNITY NUMBER	PANEL NUMBER	SUFFIX	DATE OF FIRM INDEX	FIRM ZONE	BASE FLOOD ELEVATION (BFE)	FREEBOARD (ADD 1FT FOR A AND V ZONES) <small>OFFICE USE ONLY</small>
225 203	0236	F	9/30/2016	X	NONE N.A.V.D	+1ft = _____

MINIMUM FLOOR ELEVATION:

_____ N.A.V.D.

FOR V - ZONES ONLY:

_____ N.A.V.D.
(ELEVATION OF BOTTOM OF LOWEST HORIZONTAL STRUCTURAL MEMBER)

IN ADDITION TO THE FEMA ELEVATIONS, THE FOLLOWING CONDITIONS MUST ALSO BE MET:

- A. TOP OF SLABS ON GRADE OR FILL MUST BE AT LEAST 36" ABOVE THE HIGHEST POINT OF CURB IN FRONT OF THE LOT OR SITE.
- B. PIER CONSTRUCTION: TOP OF PIERS (UNDERSIDE OF SILLS) MUST HAVE AT LEAST 18" CLEARANCE BENEATH THE STRUCTURE. IN ADDITION, THE LOWEST FLOOR MUST BE AT LEAST 36" ABOVE THE HIGHEST POINT OF CURB IN FRONT OF THE LOT OR SITE. (IF NO CURB, USE CENTERLINE OF STREET)
- C. ALL MECHANICAL OR PLUMBING EQUIPMENT SERVICING THE BUILDING MUST BE LOCATED AT OR ABOVE THE REQUIRED FLOOR ELEVATION.
- D. SLABS FOR ATTACHED GARAGES MUST BE AT THE REQUIRED FLOOR ELEVATION OR BE CONSTRUCTED OF WATER-RESISTANT MATERIALS WITH PROPER VENTING IN 2 WALLS.
- E. DETACHED GARAGES WITH PLUMBING MUST BE AT THE REQUIRED FLOOR ELEVATION.
- F. CONSTRUCTION BENCHMARK MUST BE SET AT REQUIRED MINIMUM FLOOR ELEVATION OR GREATER. (ADD 1 FOOT FOR A & V-ZONES)

APPROVED FOR CITY BY: _____

1. CERTIFICATE OF CONSTRUCTION BENCHMARK

EXISTING HIGHEST TOP OF CURB ELEVATION 8.31 N.A.V.D.
 EXISTING HIGHEST CENTERLINE OF STREET _____ N.A.V.D.
 EXISTING LOT ELEVATIONS (PROPERTY CORNERS OR EDGE)
 FRONT (RIGHT) 9.06 N.A.V.D. FRONT (LEFT) 9.06 N.A.V.D.
 REAR (RIGHT) 9.56 N.A.V.D. REAR (LEFT) 9.56 N.A.V.D.
 OTHER 11.88 N.A.V.D.
 DESCRIBE EXISTING HOUSE _____
 DESCRIPTION OF CONSTRUCTION BENCHMARK: NAIL SET IN POWER POLE
 ELEVATION OF CONSTRUCTION BENCHMARK: 11.39 N.A.V.D. (SEE NOTE F.)
 REFERENCE BENCHMARK USED TO ESTABLISH CONSTRUCTION BENCHMARK: ALCO
 ELEVATION OF REFERENCE BENCHMARK: 5.80 N.A.V.D.

FOR PERMIT OFFICE USE ONLY
 ADD 3ft to curb, if no curb use the centerline of street
 _____ + 3ft = _____

SIGNATURE: _____ DATE: 4/18/2022
 (L.A. REGISTERED PROFESSIONAL LAND SURVEYOR OR CIVIL ENGINEER)



2. CERTIFICATE OF TOP OF FORM OR TOP OF PIER ELEVATION

(To be submitted before pouring concrete for slab construction or framing floor for pier construction)

AS BUILT ELEVATIONS: FORM _____ N.A.V.D. PIER _____ N.A.V.D.

PIER CONSTRUCTION:

ALL FRAMING MATERIALS BELOW THE MINIMUM FLOOR ELEVATION (B.F.E.) MUST BE CONSTRUCTED WITH WATER-RESISTANT MATERIALS AND THE FIRST FLOOR MUST BE AT OR ABOVE THE MINIMUM FLOOR ELEVATION (B.F.E.).

V ZONES ONLY:

BOTTOM OF LOWEST HORIZONTAL STRUCTURAL MEMBER _____ N.A.V.D.
 (Must be submitted before framing begins)

IN V ZONES, ALL ENCLOSURES BELOW THE B.F.E. MUST BE DESIGNED WITH BREAK-AWAY WALLS CONSTRUCTION.

SIGNATURE : _____ DATE: _____
 (L.A. REGISTERED PROFESSIONAL LAND SUVEYOR OR CIVIL ENGINEER) (SEAL)

3. FILLING, GRADING, DRAINAGE, SIDEWALK AND DRIVEWAY CERTIFICATION AND AFFIDAVIT
 (To be submitted before Use & Occupancy Certificate can be issued)

THIS WILL CONFIRM THAT ALL FILLING, GRADING, DRAINAGE, SIDEWALKS AND DRIVEWAYS HAVE MET THE REQUIREMENTS OF THE APPLICABLE SECTIONS OF THE CODE OF THE CITY OF NEW ORLEANS.

OWNER: _____ DATE: _____

APPLICANT: _____ DATE: _____
 _____ (NOTARY)

OR
IS LOT PROPERLY FILLED TO GRADE? YES NO
 (minimum lot slope, rear to front, 1 inch every 20 feet)
 ARE SIDEWALKS PROPERLY INSTALLED? YES NO
 ARE DRIVEWAYS PROPERLY INSTALLED? YES NO
 ARE RETAINING WALLS REQUIRED? YES NO
 (if yes, then on which side(s)) RIGHT LEFT REAR
 ARE EQUIPMENT SLABS, SUCH AS A/C COMPRESSORS,
 AT MINIMUM FLOOR ELEVATION? YES NO
 DO ATTACHED GARAGES IN A-ZONES,
 THAT ARE BELOW MINIMUM FLOOR ELEVATION,
 HAVE PROPER VENTING AND WATERPROOFING? YES NO N/A

SIGNATURE: _____ DATE: _____
 (L.A. REGISTERED PROFESSIONAL CIVIL ENGINEER) (SEAL)

**SQ. NO. 132, RICKERVILLE
SIXTH DISTRICT**

A Boundary Survey of Lot 13.

NEW ORLEANS, LA
ORLEANS PARISH

ANNUNCIATION ST. SIDE

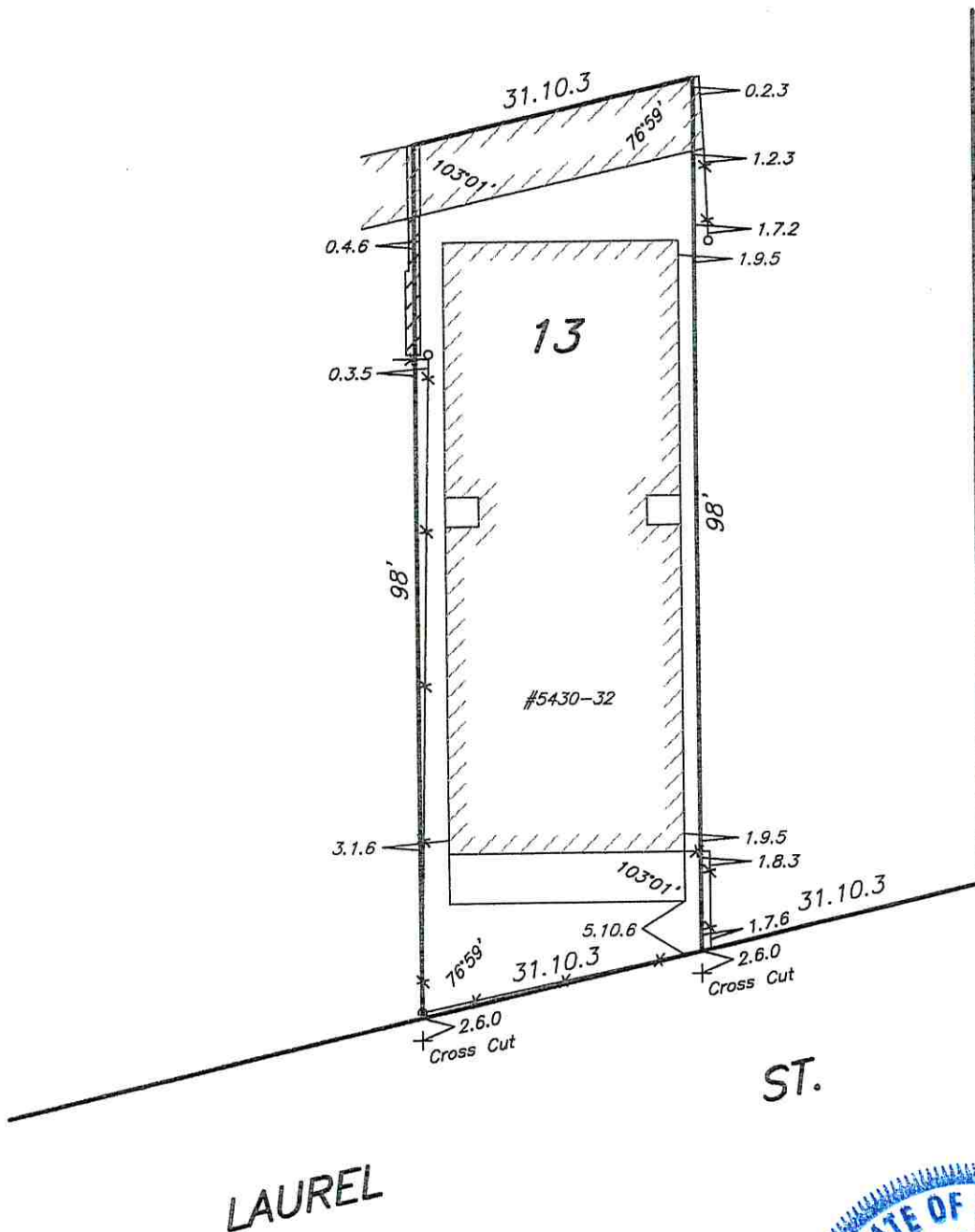
JEFFERSON AVE. SIDE

JEFFERSON AVE. SIDE

JEFFERSON AVE. SIDE

OCTAVIA ST.

OCTAVIA ST.



LAUREL ST.

LAUREL ST.

Legend:

- I.R.S. 1/2" Iron Rod Set
- I.R.F. 1/2" Iron Rod Found
- I.P.F. 1/2" Iron Pipe Found
- Fence

Note:
Improvements may not be to scale for clarity.
The dimensions shown prevail over scale.
Lot angles as per plan of subd.

THE SERVITUDES AND RESTRICTIONS SHOWN ON THIS PLAT ARE LIMITED TO THOSE FURNISHED TO US. THERE IS NO REPRESENTATION THAT ALL APPLICABLE SERVITUDES ARE SHOWN HEREON. THE SURVEYOR HAS MADE NO TITLE SEARCH OR PUBLIC RECORD SEARCH IN COMPILING DATA FOR THIS SURVEY.



Date: April 14, 2022

Scale: 1"=20'

This plat represents an actual ground survey made by me or under my direct supervision and control and meets the requirements for the Standards of Practice for Boundary Surveys as found in Louisiana Administrative Code TITLE 46:LXI, Chapter 29 for a Class "C" survey.
Made at the request of Asper Construction & Development Group, LLC

Gilbert, Kelly & Couturie, Inc., Professional Land Surveying
2121 N. Causeway Blvd., Metairie LA 70001 (504) 836-2121

Clint M. Simoneaux