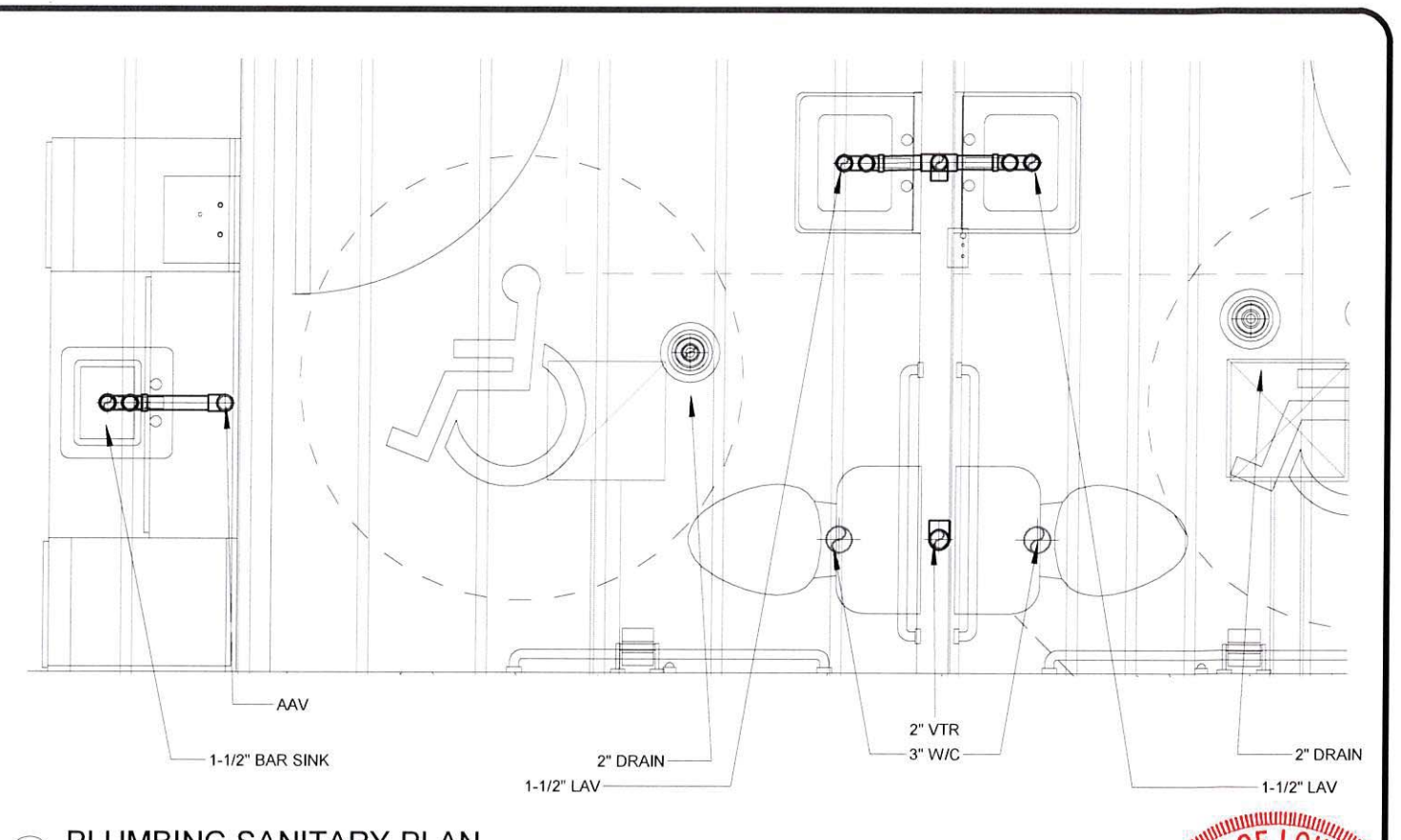


3 PLUMBING SUPPLY PLAN  
1/2" = 1'-0"



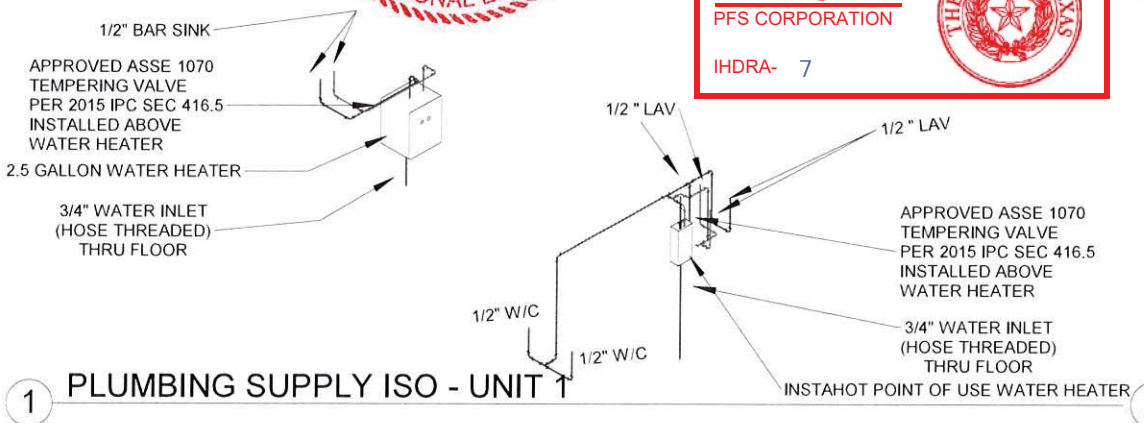
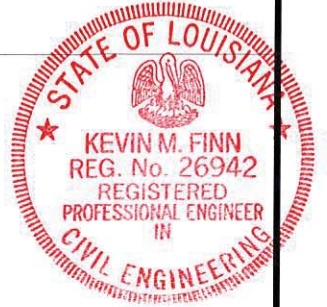
4 PLUMBING SANITARY PLAN  
1/2" = 1'-0"

**DRAINAGE PIPING SCHEMATIC**  
 - SEWER LINES TO BE PVC  
 - VENTS, MAY BE COMBINED BEFORE PENETRATING ROOF  
 - ALL DRAINS ARE STUBBED THROUGH FLOOR ONLY FOR CONNECTION ON SITE BY OTHERS

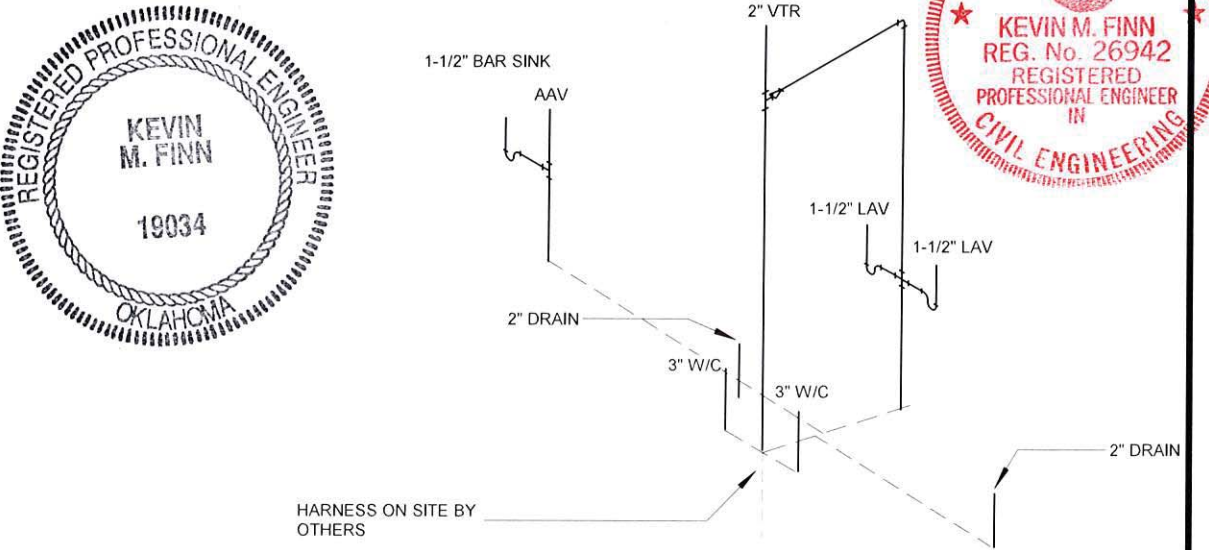
**WATER PIPING SCHEMATIC**  
 - HOT & COLD WATER LINES ARE TO BE 'PEX'  
 - ALL PLUMBING LINES TO BE CONCEALED WHERE POSSIBLE  
 - SHUT OFF VALVES REQUIRED AT ALL FIXTURES  
 - EXPOSED HOT WATER AND DRAIN LINES UNDER LAV AND SINK SHALL BE INSULATED  
 - INSTALL ASSE 1070 TEMPERING VALVA ABOVE W/H AS REQUIRED BY IPC 416.5  
 - WATER HEATER SHALL COMPLY WITH IECC SECTION 504  
 - LAV CONTROLS SHALL COMPLY WITH 2012 TAS SECTION 309.4 LEVER ONLY



Texas Industrialized Building Code Council  
 IBC  IRC   
 Approval Date: 4/24/19  
**APPROVED**  
 PFS CORPORATION  
 IHDR- 7



1 PLUMBING SUPPLY ISO - UNIT 1



2 PLUMBING SEWER ISO - UNIT 1

© BRITCOUSA, 2013  
 THIS DRAWING IS SOLELY THE PROPERTY OF BRITCO. ANY PERSON HAVING POSSESSION OF THIS DRAWING SHALL NOT:  
 a) COPY OR REPRODUCE IT BY ANY MEANS  
 b) MODIFY OR AMEND ITS CONTENTS, OR  
 c) DELIVER OR DISTRIBUTE IT TO THE THIRD PARTIES WITHOUT HAVING FIRST OBTAINED THE EXPRESS WRITTEN CONSENT OF BRITCO

DATE:	22MAR2019	#	DESCRIPTION	BY	DATE
SCALE:	1/2" = 1'-0"	0	ISSUE FOR REVIEW	MAJ	22MAR2019
		1	Revision 1		Date 1
DRAWN BY:	MAJ	1	ISSUE FOR REVIEW	MAJ	17APR2019
CHECKER:		2	ISSUE FOR PRODUCTION	MAJ	17APR2019
Bid #:	7171397	3			
		4			

PROJECT TITLE:	24' X 56' OFFICE - VESTA (TRUSS)	
DRAWING TITLE:	PROJECT NO:	SHEET NO:
Plumbing Plan	19503-05	M01

1101 Foundation Dr., Waco, TX 76712  
 Tel (254) 741-6701

