



GERALD P. NOE
ARCHITECT
LOUISIANA REGISTRATION NO. 6760

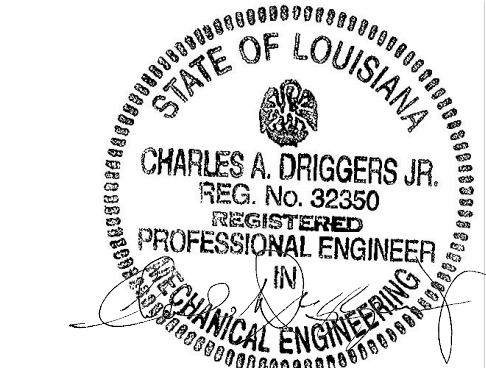
399 LUCERNE DRIVE
SPARTANBURG, SC 29302
P: 864.583.2215 F: 864.583.2265
mail@gpnarcht.com

CHECKED BY: CAD
DRAWN BY: CLS

THIS DRAWING IS AN INSTRUMENT OF SERVICE AND SOLE PROPERTY OF THE ARCHITECT, AND SHALL NOT BE USED IN ANY WAY, WHATSOEVER, WITHOUT THE WRITTEN PERMISSION OF THE ARCHITECT. IT SHALL BE RETURNED TO THE ARCHITECT UPON DEMAND.

COPYRIGHT 2022
ALL RIGHTS RESERVED

CHARLES A. DRIGGERS, JR, PE
3400 SOUTH TRYON ST. • SUITE D
CHARLOTTE, NC 28217
P: 704.376.2999 • F: 704.376.2999
CHARLES A. DRIGGERS, JR. HEREBY RESERVES ITS COMMON LAW COPYRIGHT AND ALL OTHER PROPERTY RIGHTS TO THESE DOCUMENTS, ANY ASSOCIATED SPECIFICATIONS, DESIGN CONCEPTS, DETAILS AND IDEAS. THESE DOCUMENTS, SPEC. DESIGN CONCEPTS, DETAILS AND IDEAS SHALL NOT BE REPRODUCED, REVISED OR COPIED IN WHOLE OR IN PART, NOR SHALL THEY BE DISTRIBUTED TO ANY OTHER PARTIES WITHOUT WRITTEN PERMISSION FROM CHARLES A. DRIGGERS, JR. IN ANY ELECTRONIC AND COMPUTER FILES OF THESE DOCUMENTS ARE THE SOLE PROPERTY OF CHARLES A. DRIGGERS, JR. AND ARE INTENDED FOR ARCHIVE AND RECORD PURPOSES ONLY. COMPUTER FILES SHALL NOT BE COPIED IN WHOLE OR IN PART WITHOUT WRITTEN PERMISSION FROM CHARLES A. DRIGGERS, JR.



06/27/2022

REVISIONS:

NO.	DATE	DESCRIPTION	BY
3	05/17/2022	COORDINATION	CLS
4	06/27/2022	PLAN REVIEW COMMENTS	CLS

CLIENT NAME:
EPP MANAGEMENT, LLC.

ERNEST PRICE JR.
119 OAK TREE DR.
NEW ORLEANS, LA 70124

E: ERNEST.PRICE@CLEANJUICE.COM

PROJECT NAME:



MAGAZINE PROMENADE SHOPPING CENTER
2801 MAGAZINE STREET
SUITE #6
NEW ORLEANS, LA 70115

SHEET TITLE:

WASTE, WATER
& GAS RISERS

PROJECT NUMBER: 22044

DATE: 2022-04-01

SHEET NO.

P2.1

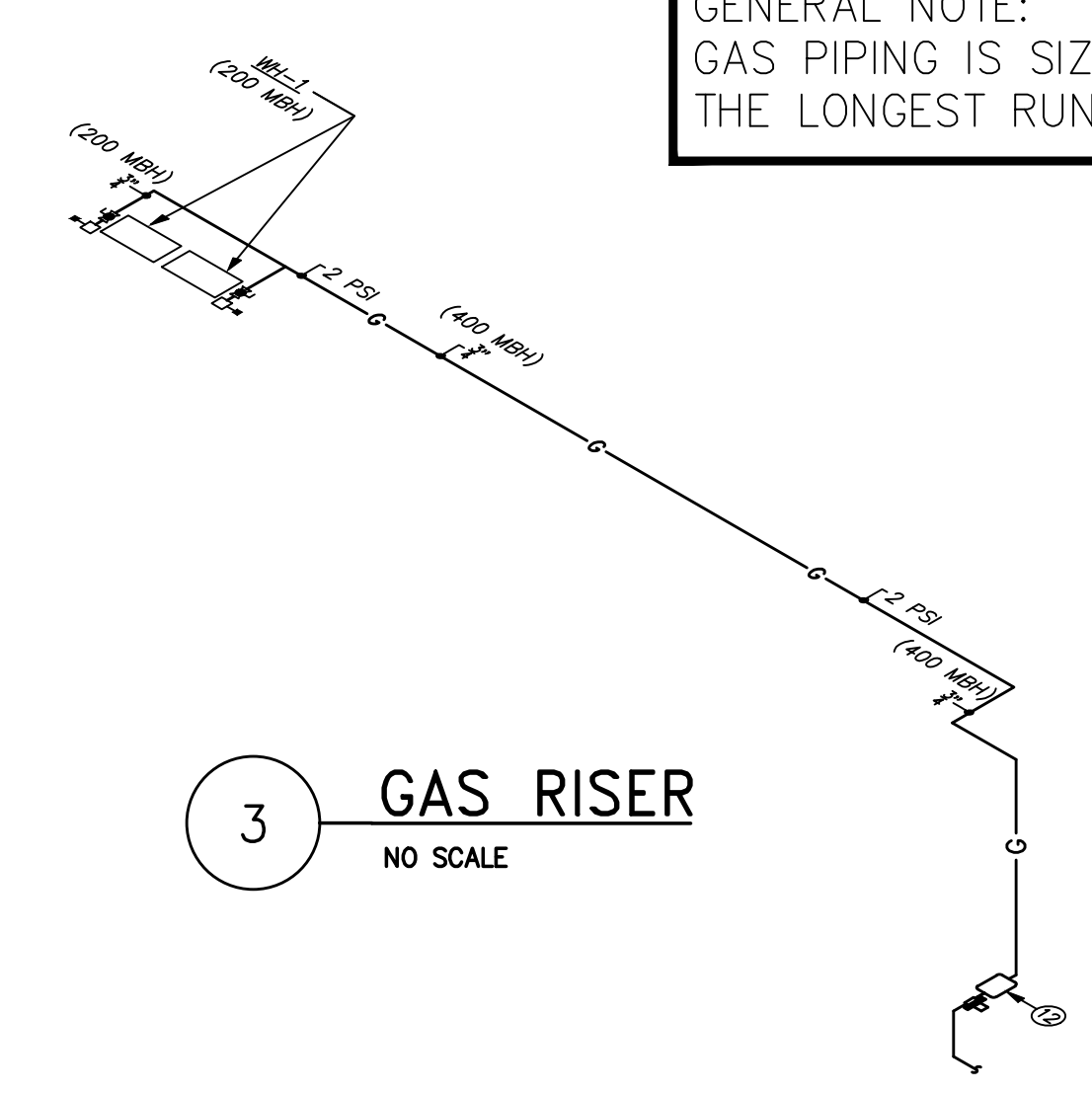
SHEET 4 OF 4

NOTES THIS SHEET

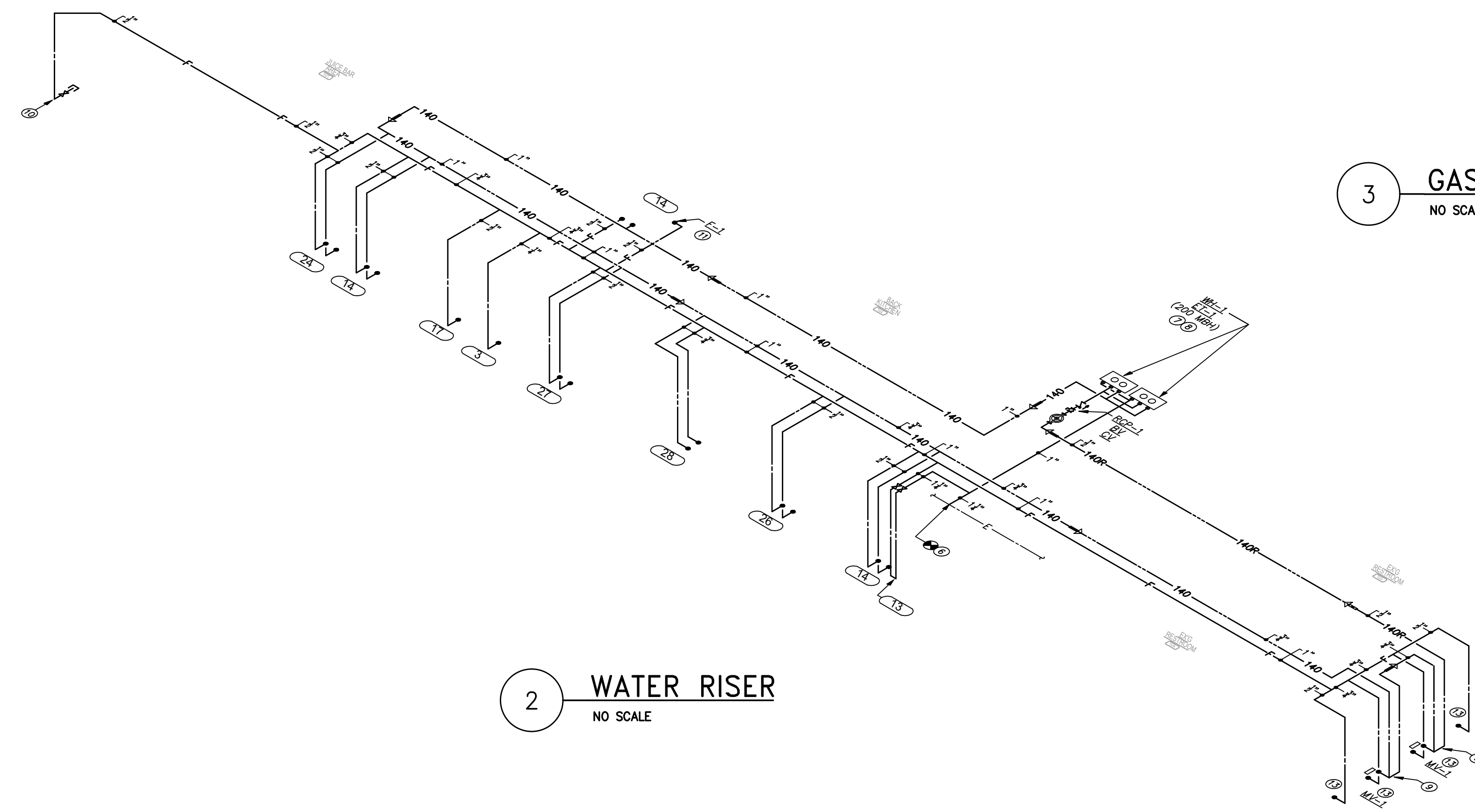
- ① SEE SHEETS P0.1-P0.2 FOR SCHEDULES, DETAILS AND SPECIFICATIONS.
- ② SEE SHEET P1.1 FOR KEYNOTES.

APPROVED
maevans , 8/23/2022 ,7:51:53 AM

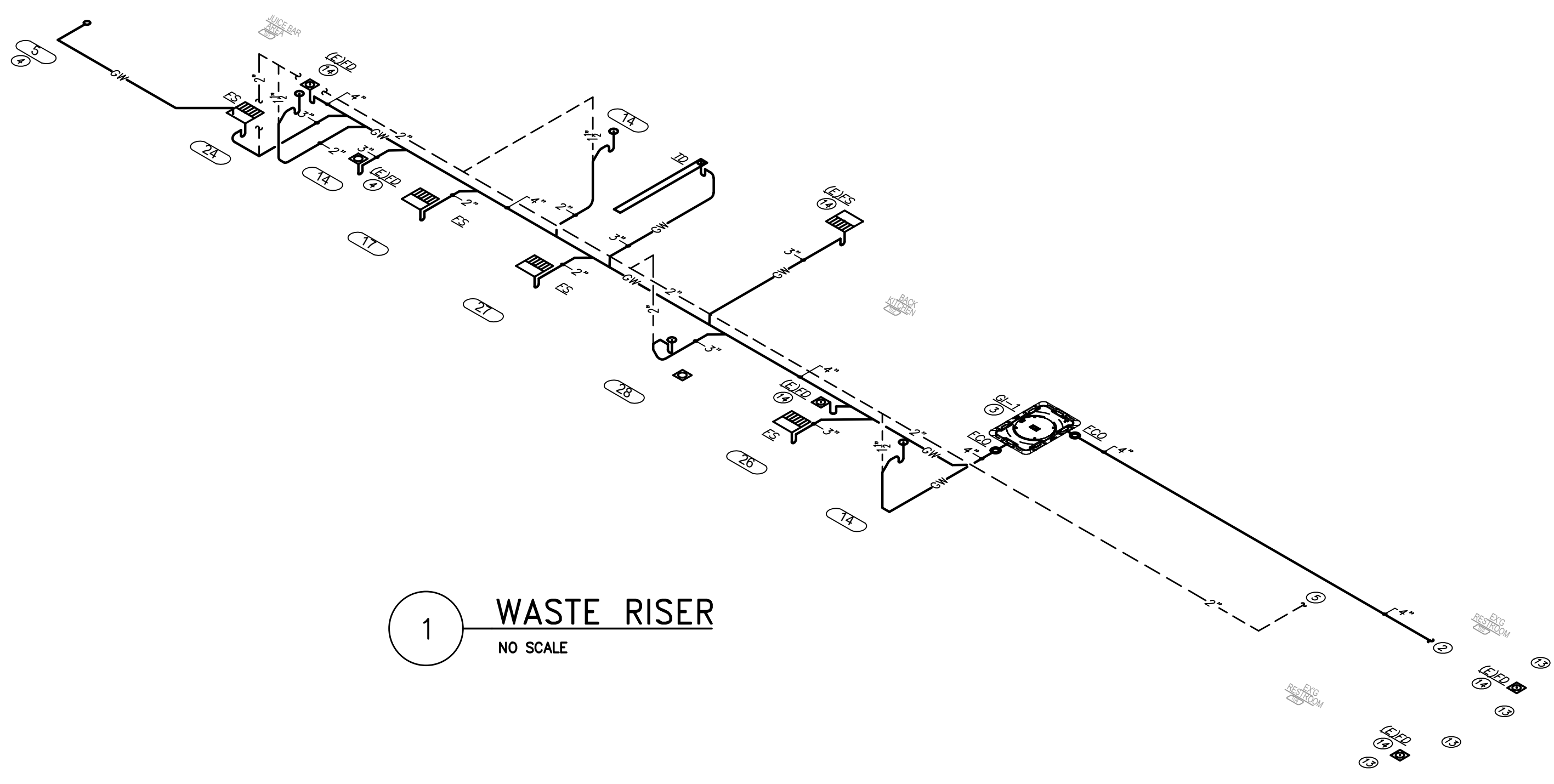
GENERAL NOTE:
GAS PIPING IS SIZED USING
THE LONGEST RUN METHOD.



3 GAS RISER
NO SCALE



2 WATER RISER
NO SCALE



1 WASTE RISER
NO SCALE

NEW SHEET FOR WASTE,
WATER + GAS RISERS

THE ARCHITECT SHALL NOT BE RESPONSIBLE FOR ACTUAL CONDITIONS, CONSTRUCTION AND/OR USE THEREOF. THIS DRAWING IS TO CONVEY DESIGN INTENTIONS AND/OR CODE COMPLIANCE ONLY. USE OF THESE DRAWINGS IMPLIES AGREEMENT WITH THESE CONDITIONS. THE CONTRACTOR IS TO VERIFY ALL DIMENSIONS.