

**REPAIRS TO
EXISTING
COMMERCIAL
SPACE**

5952 MAGAZINE ST.
NEW ORLEANS, LA. 70115

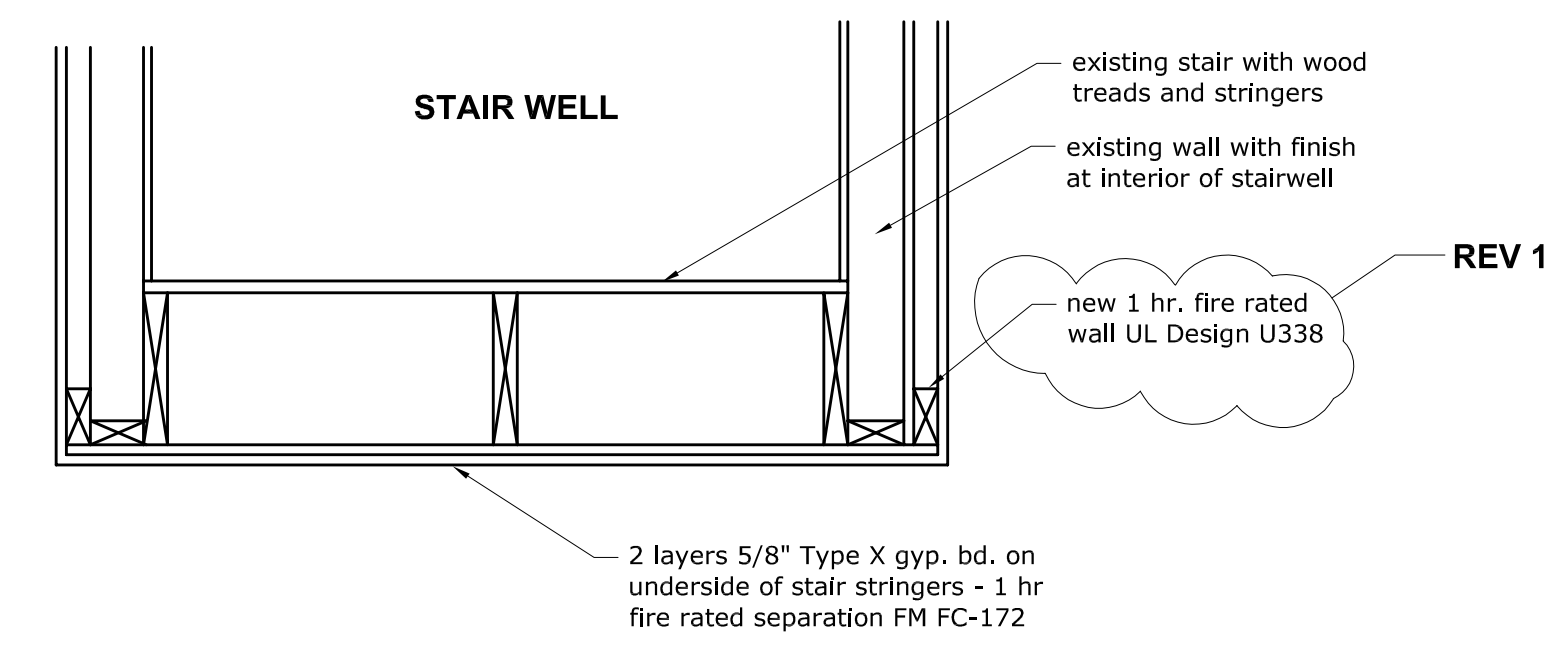
**CONSTRUCTION
DOCUMENTS**
NEW FLOOR PLAN
SECTIONS

I	S	S	U	E
DATE	DESCRIPTION			
6-28-22	SFM- correct UL number			

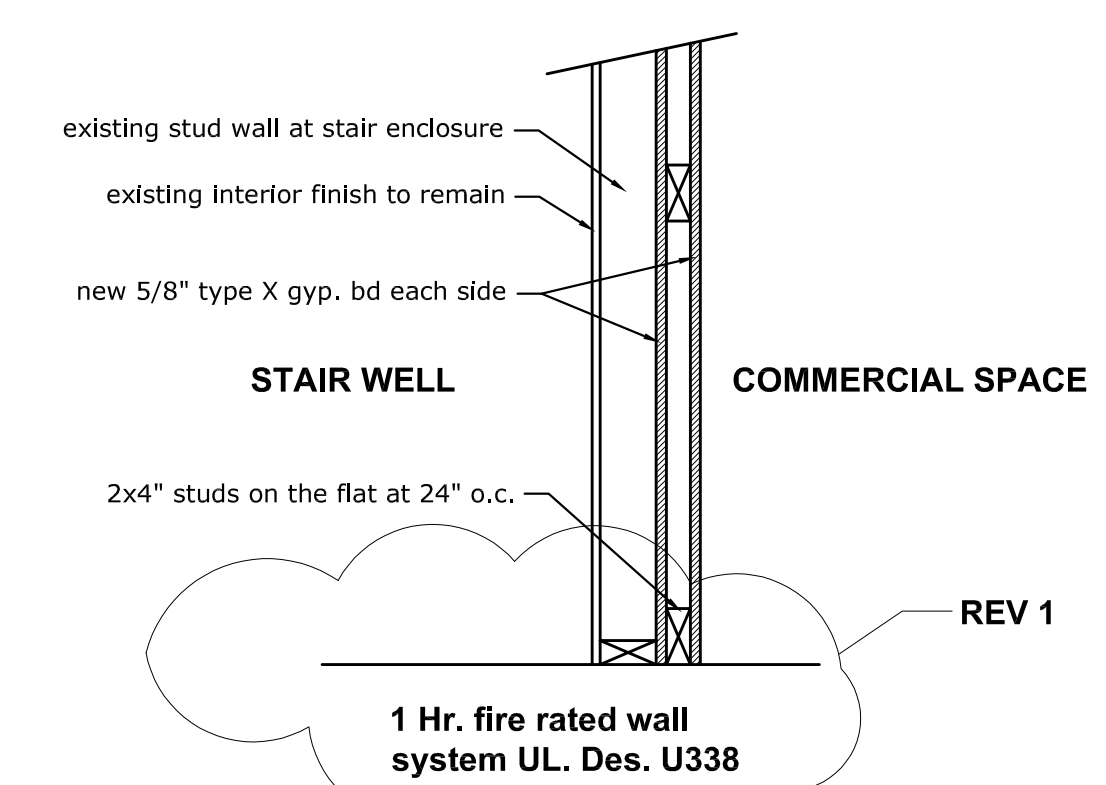
M A Y . 1 9 , 2 0 2 2

A - 3

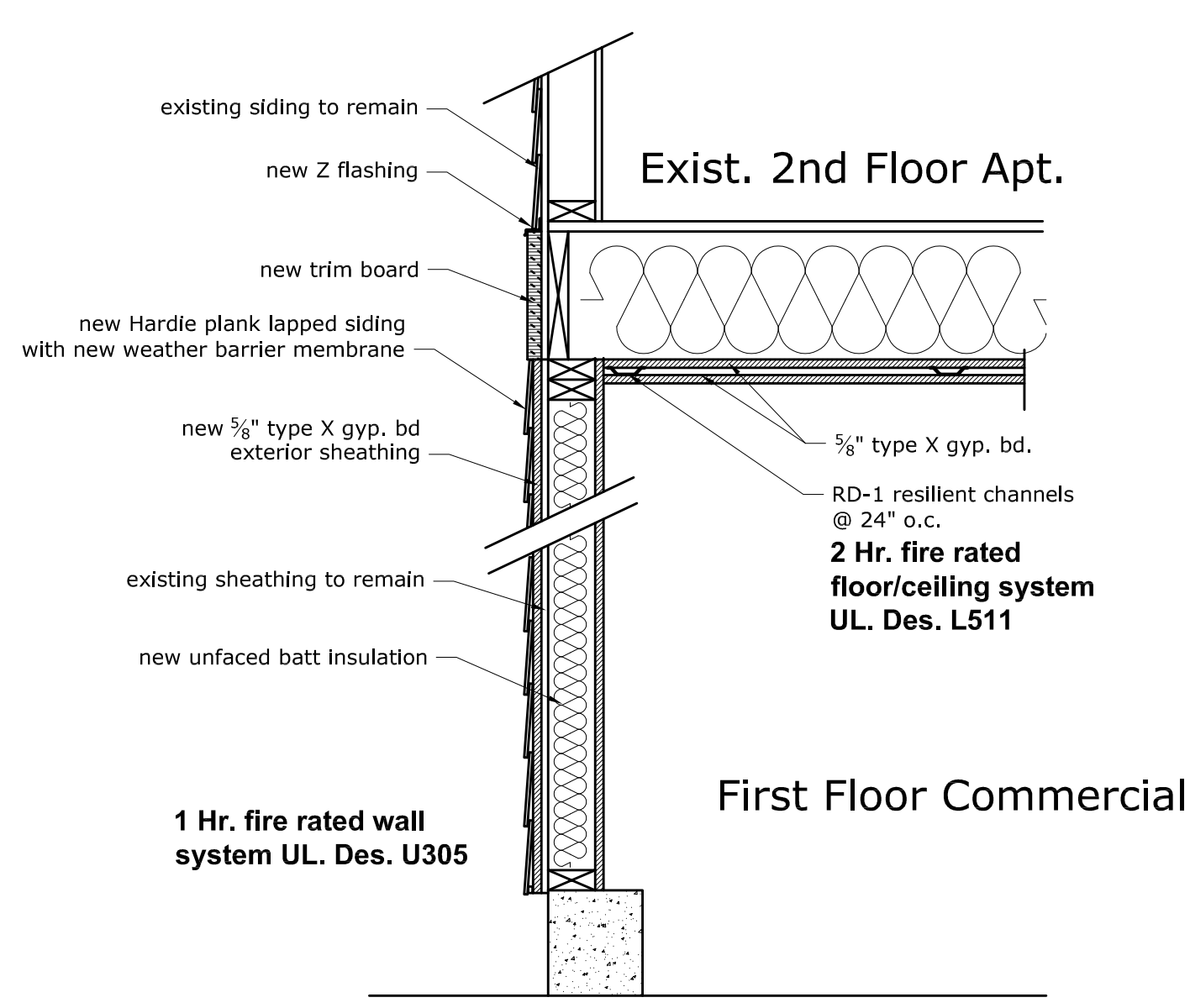
3 O F 4



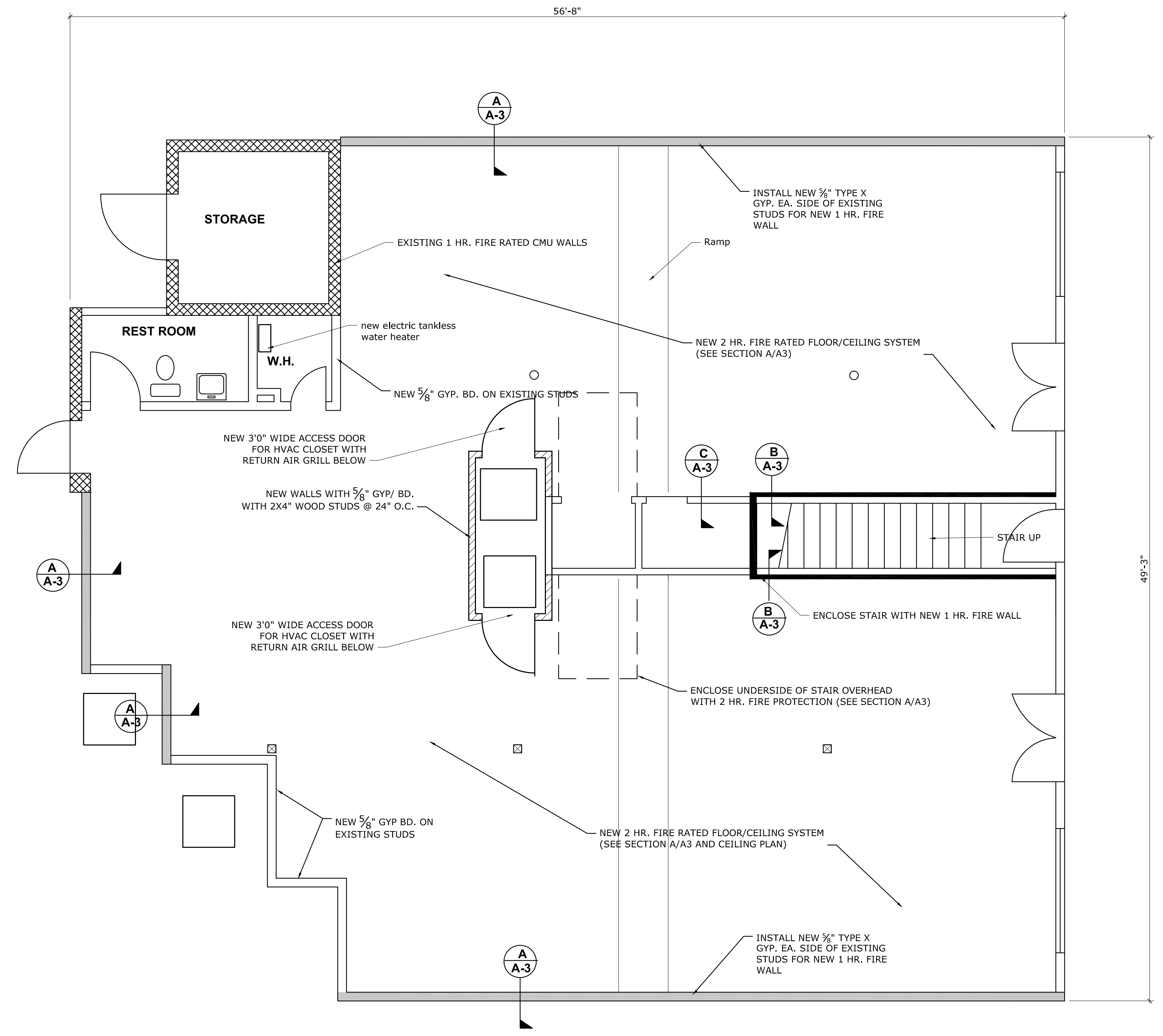
C STAIRWELL SECTION
A-3
1" = 1'-0"



B INTERIOR WALL SECTION
A-3
1" = 1'-0"



A EXTERIOR WALL SECTION
A-3
1" = 1'-0"



New First Floor Plan
1/4" = 1'-0"

WALL LEGEND

	EXISTING WALL TO REMAIN
	NEW 1 HR FIRE RATED WALL
	NEW UNRATED WALL