

9#.. %10&+6+105

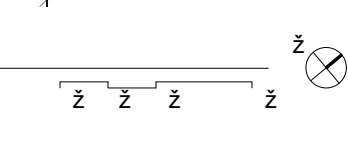
':+56+0) 9#..
':+56+0) ':6'4+14 9#.. Ä 2#6%'&
241215'& '+06'4+14 : 9#..
241215'& ':6'4+14 : 9#.. Ä +057' #6'&
241215'& '+06'4+14 : 9#..

6*4'5'1.&5

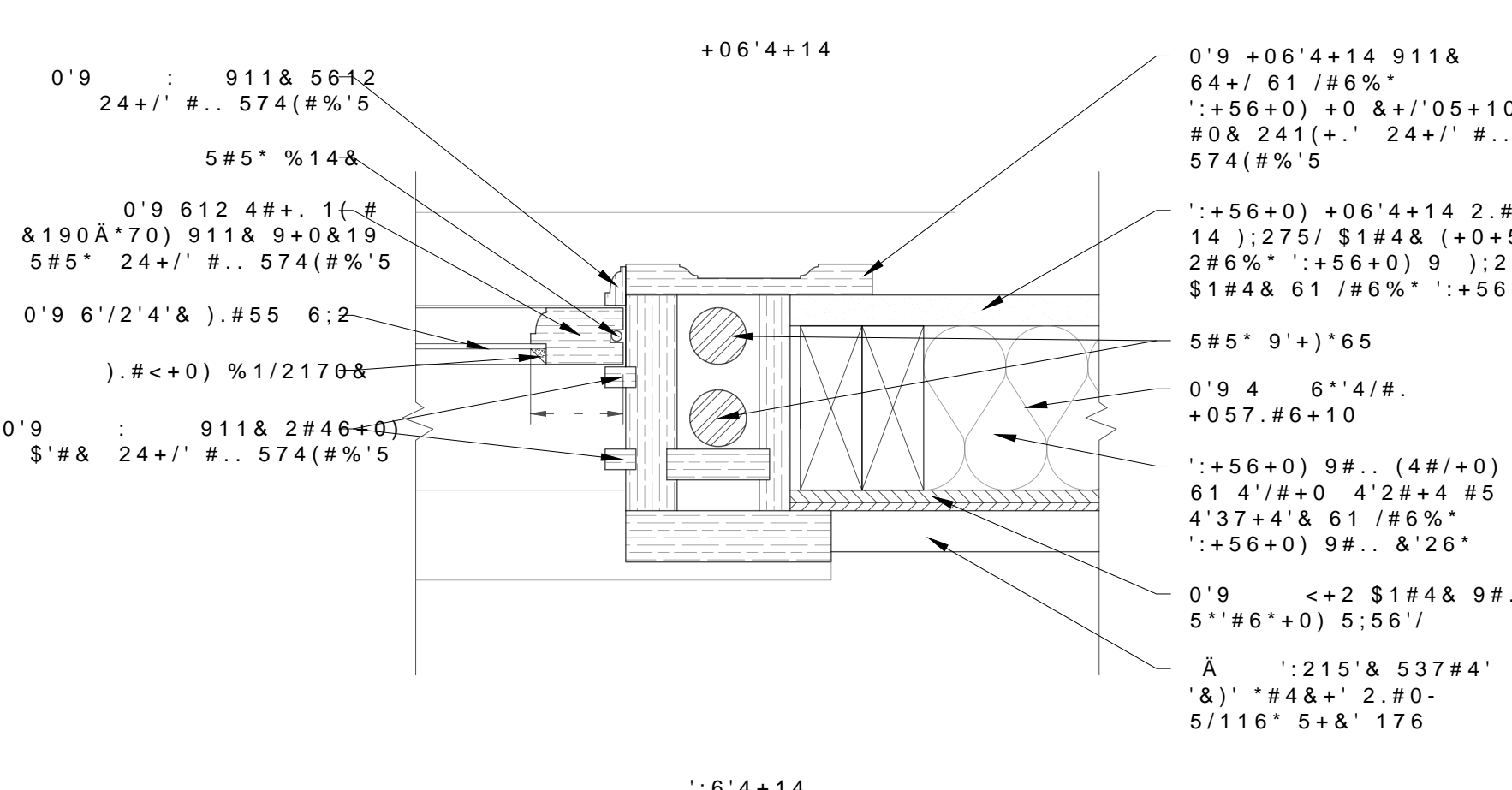
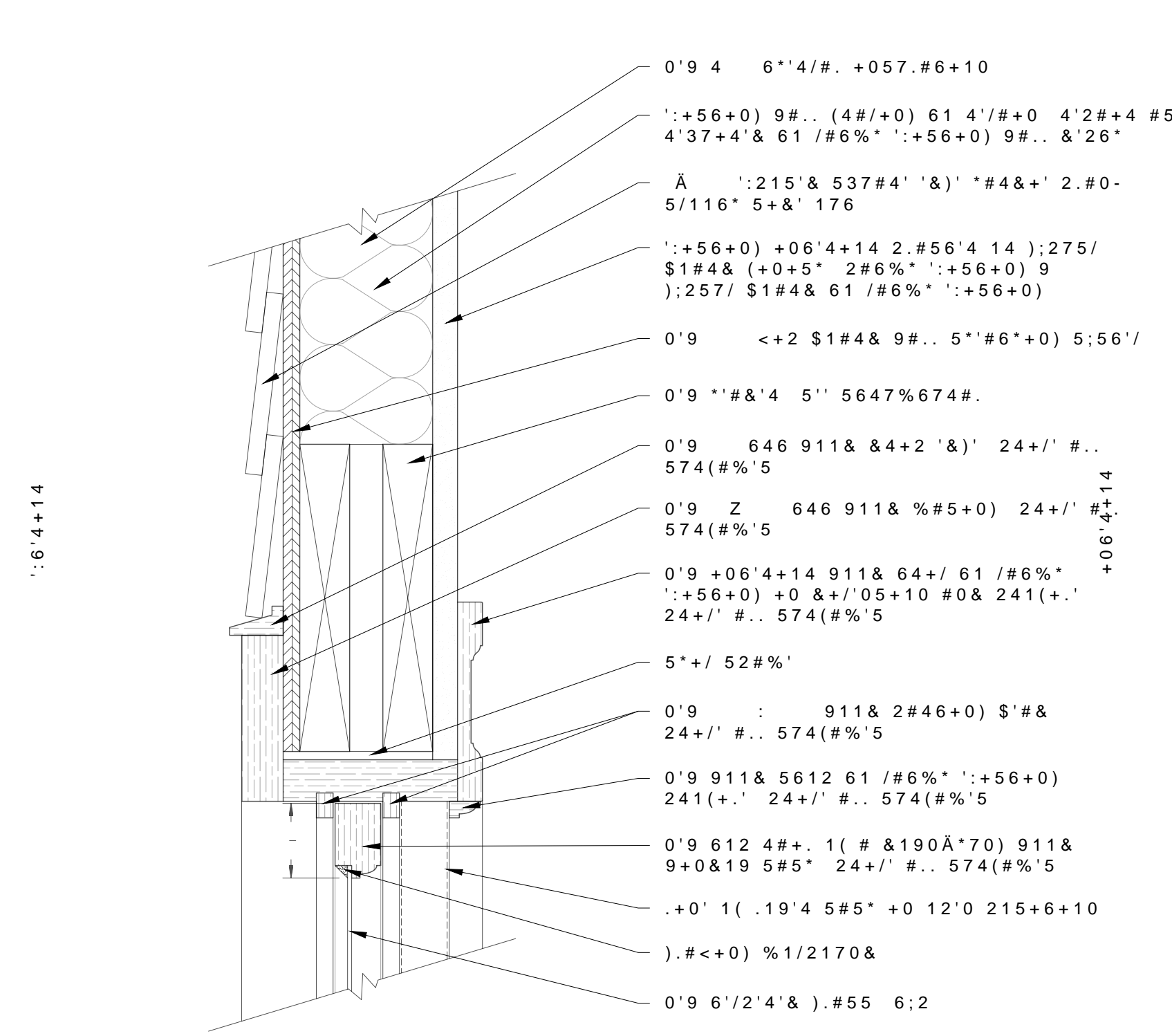
#.7/+07/ 6*4'5'1.&
5610' 6*4'5'1.&
911& 6*4'5'1.&
76+..+6; %100'%6+10
0#674#.)#5 %100'%6+10
0#674#.)#5 %100'%6+10
'15' S+S %100'%6+10

4+% - (+, ' & #4% * + 6%6
 56 41% #8'07' 01.#
 4+%- (+, '&')/#+.%1
 41&4+%- # (+, '& #4% * + 6%6
 # 241(56+10# #4%+6%674' %1/2#0;
 & \$ # 4+%- (+, '& #4% * + 6%6
 4'018#6+10 1(4'5'+&'0%' #6
 \$'.. 564''6
 0'9 14'.. #05 .#
 5'.. 564''6
 4'018#6+10 1(4'5'+&'0%' #6
 \$'.. 564''6
 0'9 14'.. #05 .#
 '
 4'8+5'&
 (+, ' \$GNNA # FYI
 5'..6
 #
 1: A

(+456 (.114 2.#0



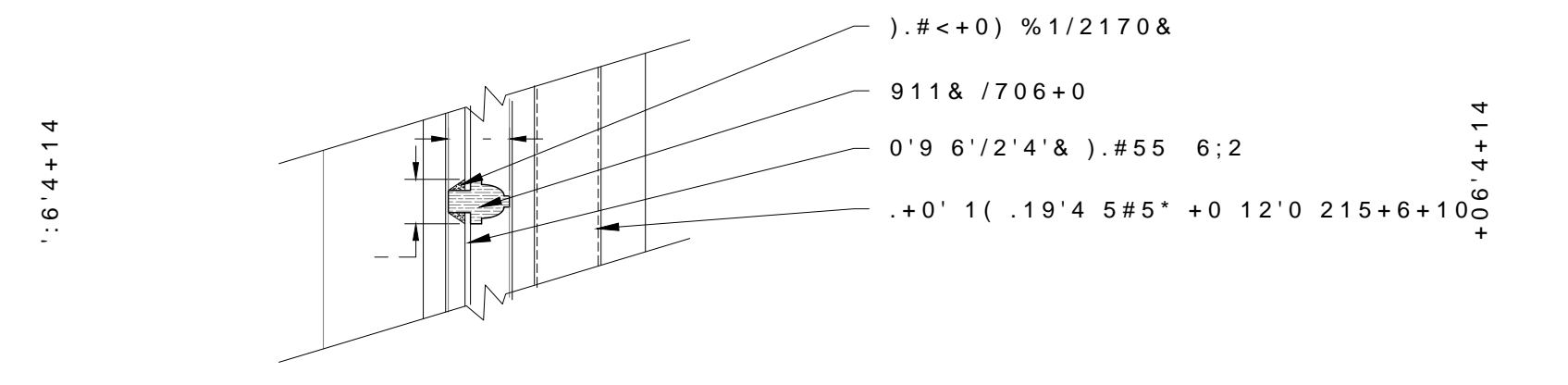
\$41#& 564''6 5+&'



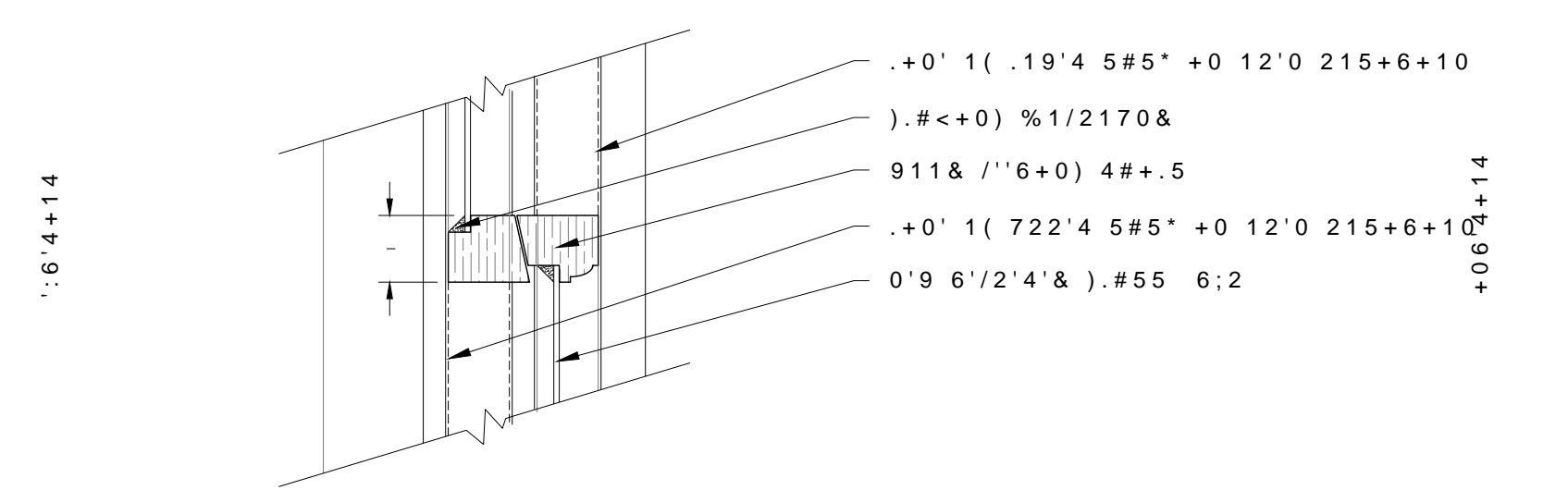
23 (1, 1* 6 &+ ('8/ (\$/ / '0 (17, 216 72), 1, 6+ 23 (1, 1'	
0\$5.	47< 6.= (((6&5, 37, 21	127 ('+' ' (7\$, /
1\$	((:, 67, 1*	((:, 67, 1* '225 25 23 (1, 1' 72 5 (0, \$1 12 &+ \$1* (
	((:, 67, 1*	((:, 67, 1*) 5\$0 ('225 \$1' 75\$1620 72 % (5/(2&\$7* (\$ &
	((:, 67, 1*	((:, 67, 1*) 5\$0 ('225 \$1' 75\$1620 72 % (5(7\$, 1(' &+ \$1* ('225 6:, 1*	\$ &
	[[((:, 67, 1*) 5\$0 (72 % (02'), (' 72 \$ && (37 1(: 3\$1(/ ' ' 225	\$ '
	[[&\$6 (' 23 (1, 1*	\$ (
	[[3\$1(/ ' ' 225	\$ (
	[[3\$, 5 (' 3\$1(/ ' ' 225	\$ (
	[[3\$, 5 (' 3\$1(/ ' ' 32& (7 ' 2256	' \$
	[[3\$, 5 (' /, 7 ((:7 (5, 25 ' ' 2256 : /, 7 (75\$1620	\$ %) + \$
	5 2		
\$	1\$ ((:, 67, 1*	((:, 67, 1* : 1' 2: 72 5 (0\$, 1 12 &+ \$1* () 72 6
%	[/, 7 ('28% / (+81' : ' : 1' 2: 6 , 1) / ((:, 67, 1* '225 / 2&\$7, 21	\$
&	[7: 2 /, 7 (' \$: 1, 1' : 1' 2:	
&	[((:, 67, 1* 67\$, 1(' / \$66 75\$1620 , 1 1(:) ; (' 6\$6+ : 1' 2: 6, = () 5\$0 (\$' 6\$6+ 72 ((:, 67, 1* ' / \$66	
'	[/, 7 ('28% / (+81' : ' : 1' 2: 6	\$

&17\$. 'Ä*70) 9+0&19 2#46+0) 4#+. &'6#+.

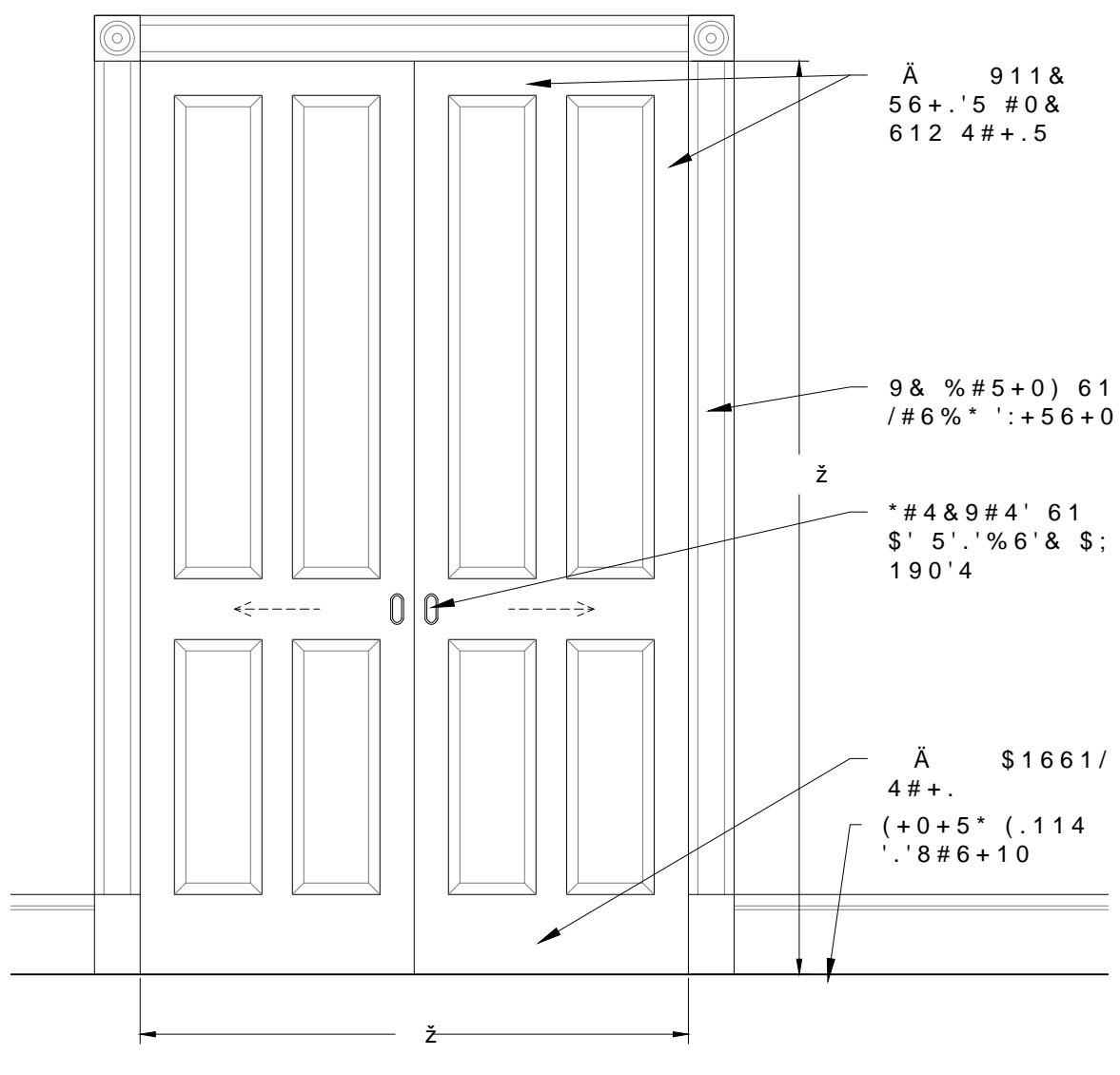
&17\$. 'Ä*70) 9+0&19 *' #& &'6#+.



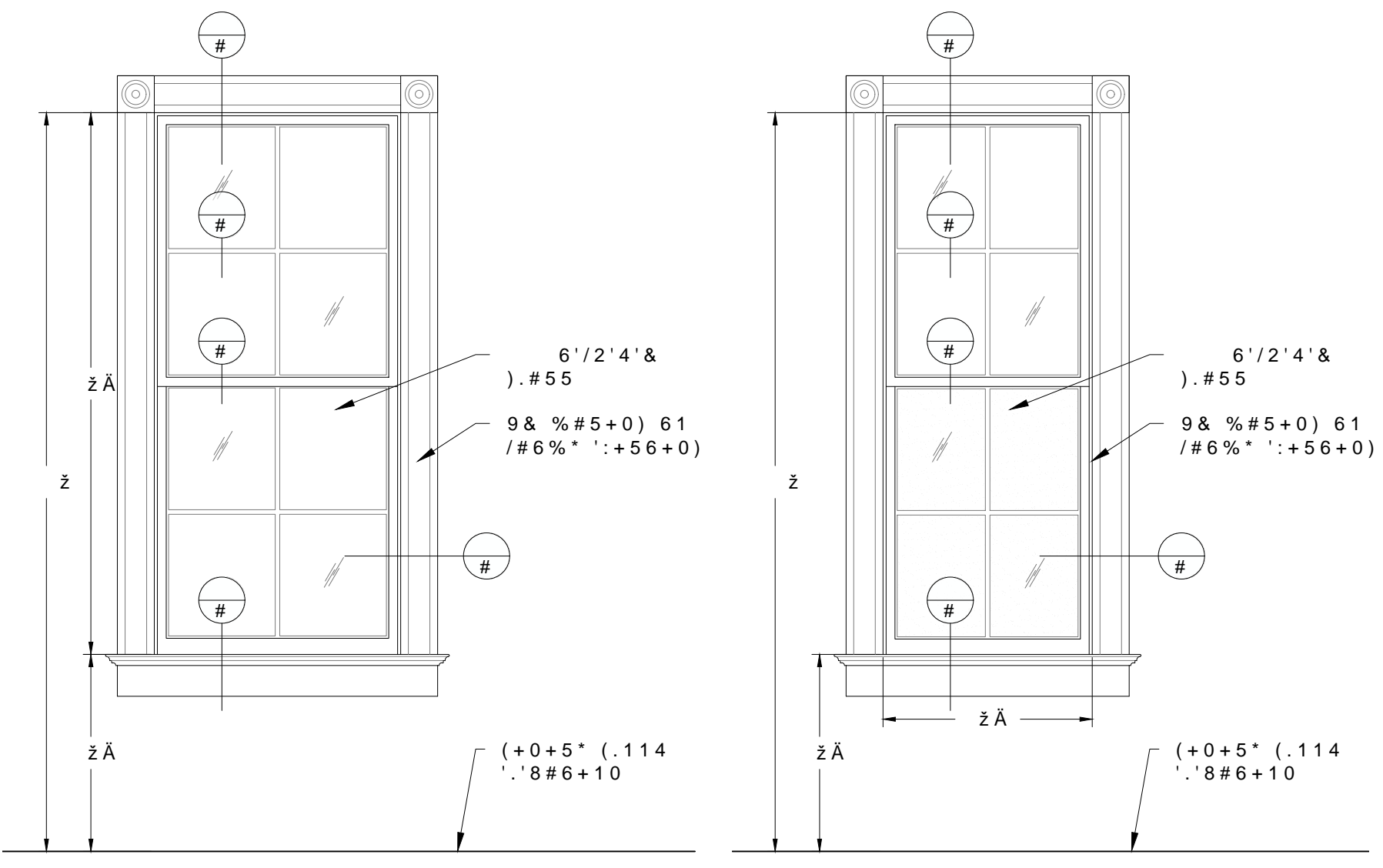
&17\$. 'Ä*70) 9+0&19 /706+0 &'6#+.



&17\$. 'Ä*70) 9+0&19 2#46+0) 4#+. &'6#+.

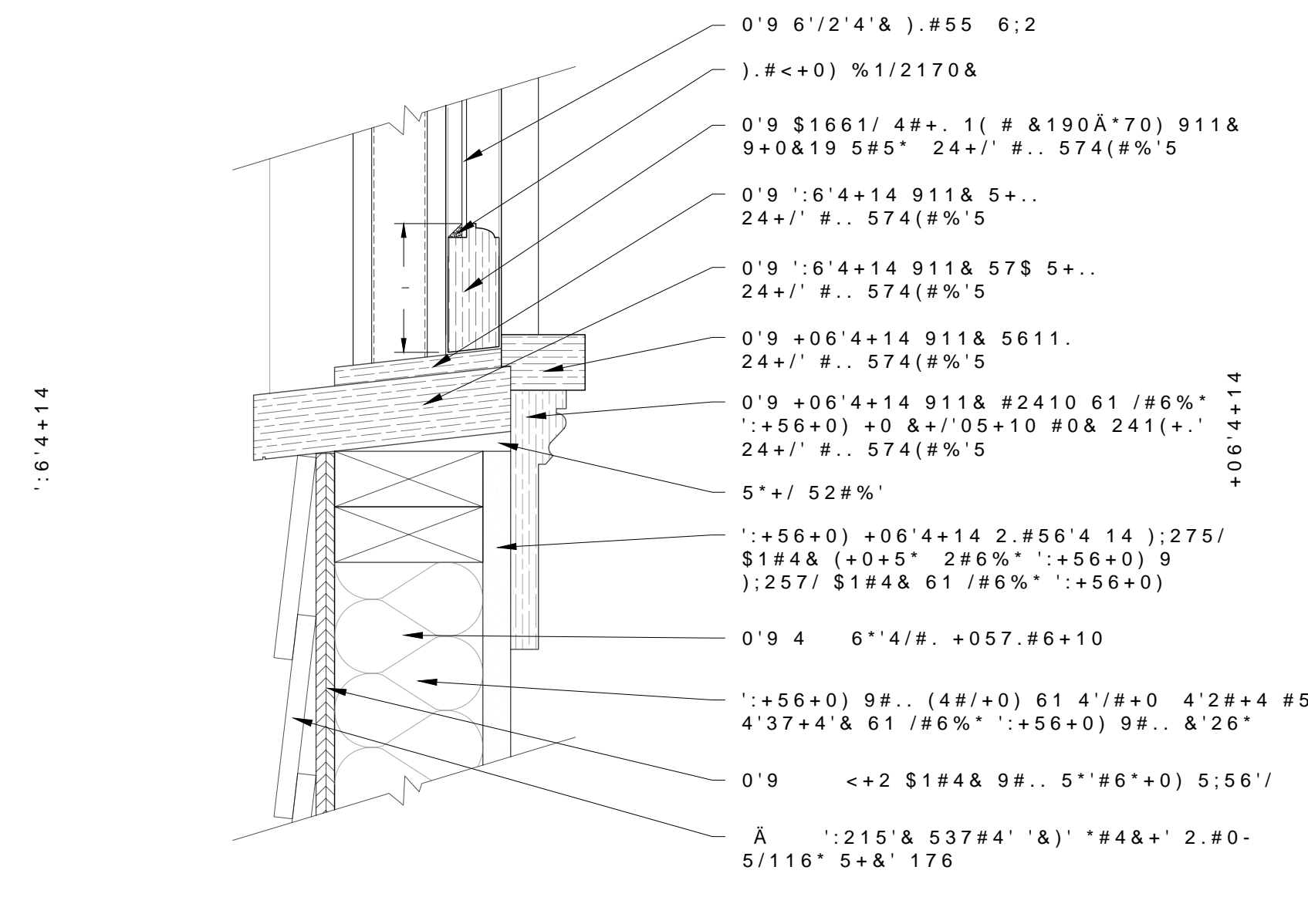


&114 /#4-

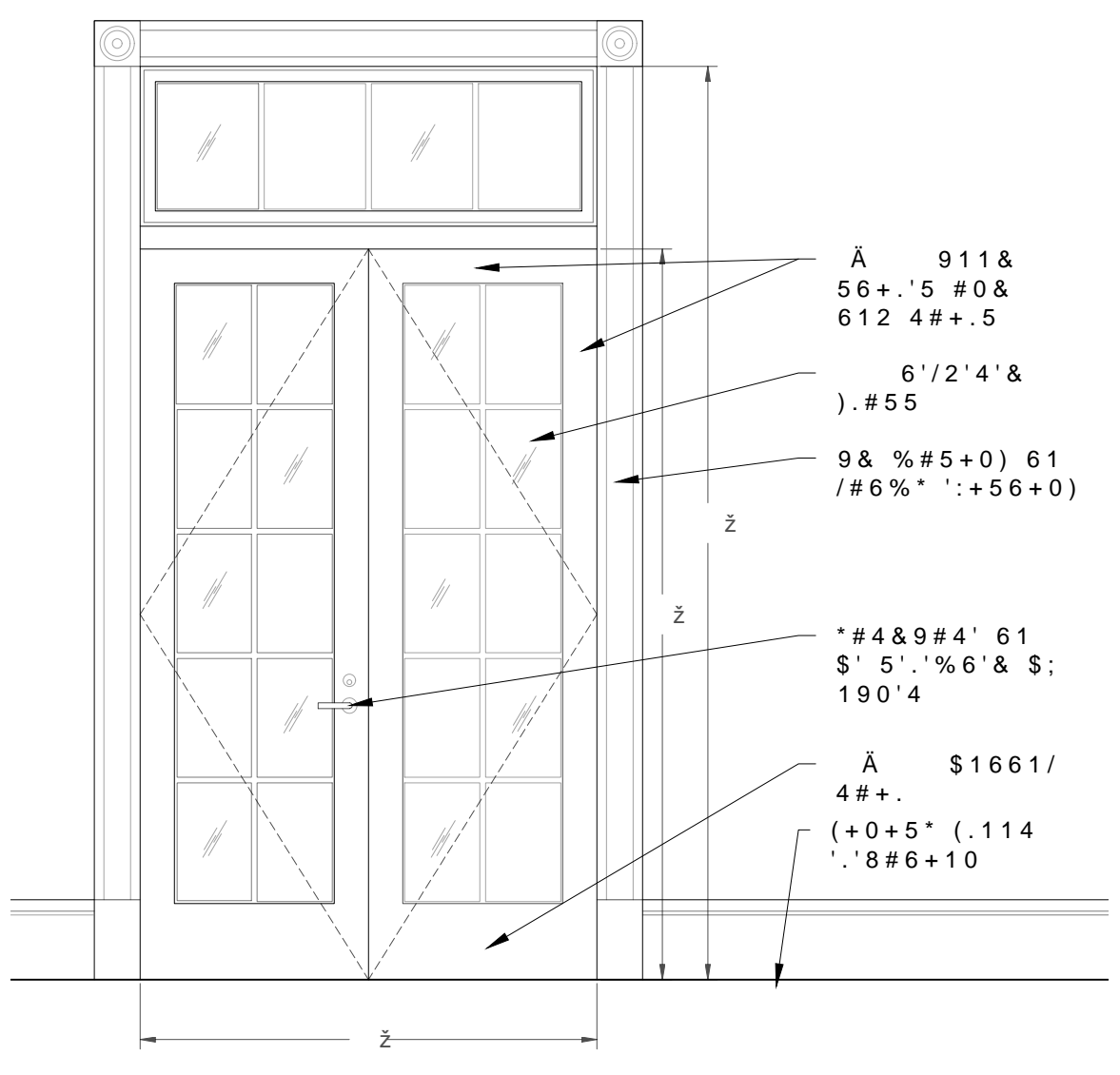


9+0&19 /#4- \$

9+0&19 /#4- &



&17\$. 'Ä*70) 9+0&19 5+.. &'6#+.



&114 /#4-

4'0'18#6+10 1(4'5'+&'0%' #6
 \$' .564'6
 0'9 14' .#05 .#
 &'6'
 4'8+5'8
 (+.' \$GNA # FYI
 5' .#6
 1('Ä
 #
 6'1%6
 # 41&4+-% # (+(' & #4#*+6%6+-%
 # 241('56+10# #4%+6%674' %12#0:
 & \$ # 4+%- (+(' & #4%# 6'1%6
 56 41%# #07' 01.#
 4+%- (+(' &)/#+ .% 1

.+)*6+0) .)'0&

5+0). '21.' .+)'6 59+6%'	81.6 %10%'#.'& %1706'4 612	70&'4Ä#S+0'6 .& .+)'6+0)	6'.18+5+10 %S.' %100%'614	4'ÄS7+.& ':+56+0) ':%64+%# .5'48+%# 1
6'4"Ä9#; +)'6 59+6%'	574(#%' /1706 ' #0)+0)	574(#%' /1706'& .+0' #4' .& (+:674	%#4\$10 &'6%'614	'12#0'. 61 /'6 %744'06 #0& #06+%+2#6'&
&+5%100%'6 (14 /'%'#0+%#:	574(#%' /1706 9#...+)'6	64#%' .+)'6+0)	5/1-' &'6%'614 9#66	':%64+%# .75' 4/18' #.. #S#0&10'0&
.1%'#6'& +0%'5 #S18' (.114	4%'55'& &190.+)'6	4%'55'& .& .+%' .+)'6	%100%'6+10	':%64+%# .9+4+0) #0& '37+2/06 #0&
70:55 016'&	8'06 9 .+)'6 8'06 61 '16'4+14	9#.. /1706'& .#0&5%#2' .+)'6+0)	':%64+%# .2#0'.	&+5215' 1(#5 475\$+5"
)4170& (#7.6 +06'44726	%'+,+0) (#0	2'161%'..		+06')4#6' 0'9 ':%64+%# .(+:674'5 #0&
.1%'#6'& : +0%'5 #S18' (.114		&114 S'.. 9 8+&'1 %#/'4#		59+6%' .1%'#6+105 9+6' ':+56+0) ':%64-
81.6 4%'26#%' .1%'#6'& :		4/16' 12'4#S.')#6' .1%-		5:56'/ %10(+4/ #.. .1%'#6+10 9+6' 190'4
+0%'5 #S18' (.114				5/1-' &'6%'6145 5' #.. S' .1%'#6'& +0
52.+6 &7%6'55 4%'26#%'				##%14�%' 9+6' +S% 4'5+&'06+#.
.1%'#6'& : #S18' 6")4170&				%100%'6'& 61 81.6 '175' %+4%7+6

)'0'4# . ':%64+%# .016'5

4'ÄS7+.& ':+56+0) ':%64+%# .5'48+%# 1

'12#0'. 61 /'6 %744'06 #0& #06+%+2#6'&

':%64+%# .75' 4/18' #.. #S#0&10'0&

':%64+%# .9+4+0) #0& '37+2/06 #0&

&+5215' 1(#5 475\$+5"

+06')4#6' 0'9 ':%64+%# .(+:674'5 #0&

59+6%' .1%'#6+105 9+6' ':+56+0) ':%64-

5:56'/ %10(+4/ #.. .1%'#6+10 9+6' 190'4

5/1-' &'6%'6145 5' #.. S' .1%'#6'& +0

##%14�%' 9+6' +S% 4'5+&'06+#.

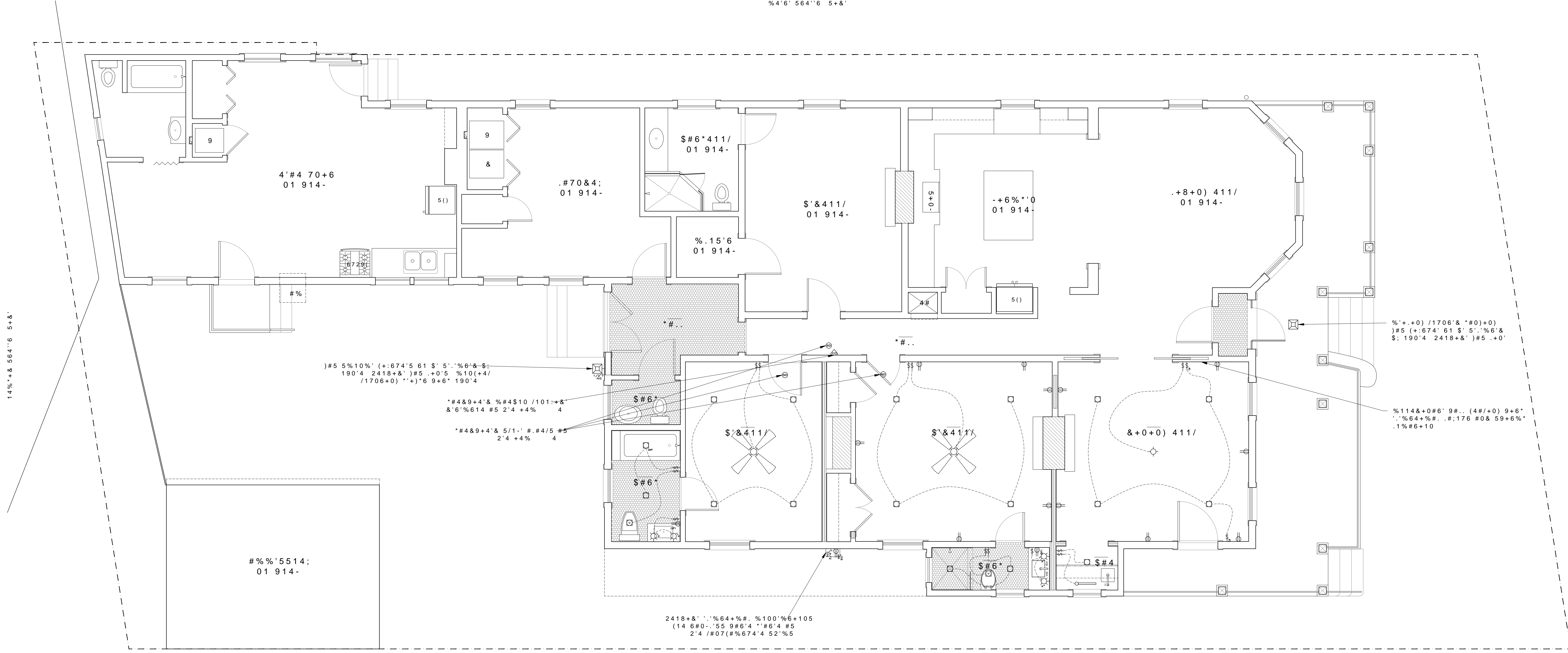
%100%'6'& 61 81.6 '175' %+4%7+6

016' 92 9#6'4 2411(

/# /16+10 %#6+8#6'&

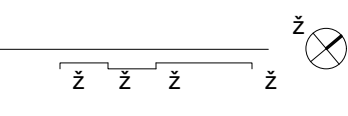
: /1706+0) ':+)'6 61 S' &'6'4

%4'6' 564''6 5+&'



'.'%64+%# . 2.#0

411#& 564''6 5+&'



4+% - (+(' .& #4% * + 6%'6

56 41%' #8'07' 01.#

4+%' . (+(' .&)/#+ . %1

41&4+%'# (+(' .& #4%'#6'& #..%

2411(56+10# . #4%'#6'674' %1/2#0:

& # # 4+%' . (+(' .& #4%'#6'&

4'018#6+10 1(4'5+&'0%' #6

\$' . 564''6

0'9 14' . #05 . #

'

4'8+5'&

(+' . #GNA # FYI

5''6 1(

'Ä