

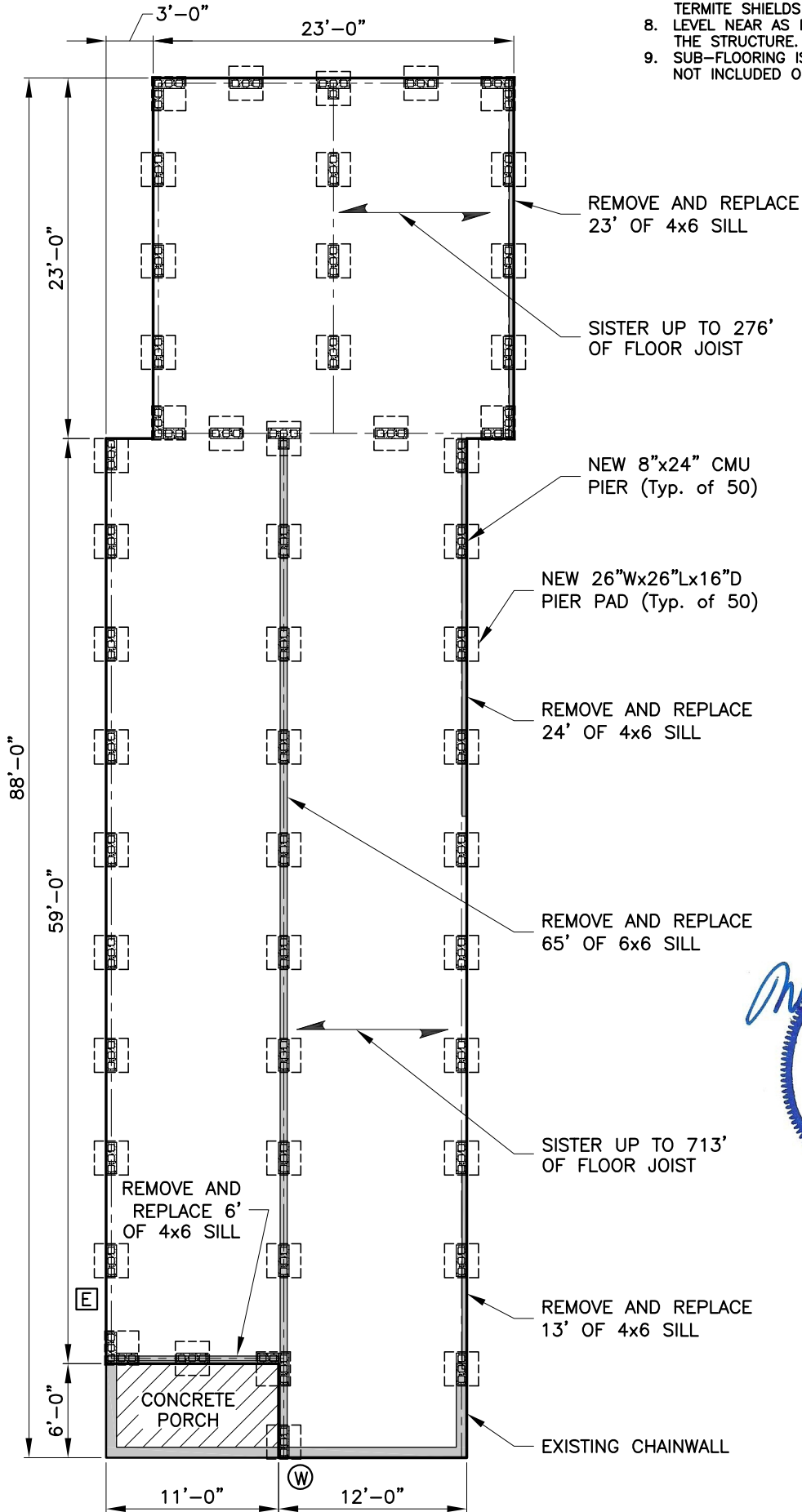
The information shown on this drawing was furnished by the contractor and cannot be verified for accuracy or completeness and is intended to apply for a building permit only. Since this project is to level the foundation only, no further investigation is needed nor is any engineering required. The compilation of this information does not relieve the contractor of responsibility for errors resultant to incorrect, incomplete or omitted data.

CUSTOMER:
 Charles Pope
 1830 Feliciana St.
 New Orleans, LA 70117

AREA:
 LIVING = 1,958 Ft.²

NOTES:

1. REMOVE AND REPLACE 65' OF DAMAGED 6"x6" SILL IN CENTER OF HOME WITH PRESSURE TREATED LUMBER.
2. REMOVE AND REPLACE 66' OF DAMAGED 4"x6" SILL ON PERIMETER AND 6' UNDER FRONT PORCH.
3. SISTER UP TO 989 FEET OF FLOOR JOIST.
4. REMOVE APPROXIMATELY 40 PIERS.
5. REPLACE WITH UP TO 50 PIER SYSTEMS WITH PROPER FOOTINGS AND FILLING THE LARGE SPANS.
6. ALL FOOTINGS ARE TO BE 26"x26"x16"D OF 4,000 p.s.i. POURED CONCRETE WITH #5 STEEL REINFORCING BARS.
7. PIER SYSTEMS ARE TO BE 8"x24" CMU BLOCKS, BUILT TO SILL AND SHIMMED WITH CONCRETE BOARD ON TOP OF PIERS AS DESCRIBED ABOVE. INSTALL TERMITE SHIELDS ON ALL PIERS INSTALLED.
8. LEVEL NEAR AS POSSIBLE WITHIN THE LIMITS OF THE STRUCTURE.
9. SUB-FLOORING IS DAMAGED IN SOME AREAS AND NOT INCLUDED ON THE DRAWING.



LEGEND:

- 8x16 CMU Pier
- 8x24 CMU Pier
- 26x26x16 Pier Pad
- 6x6 Sill
- 4x6 Sill
- Water
- Electric

PROPOSED PIER LOCATION DIAGRAM
 Ace House Leveling, LLC
 1830 Feliciana St. New Orleans, LA 70117

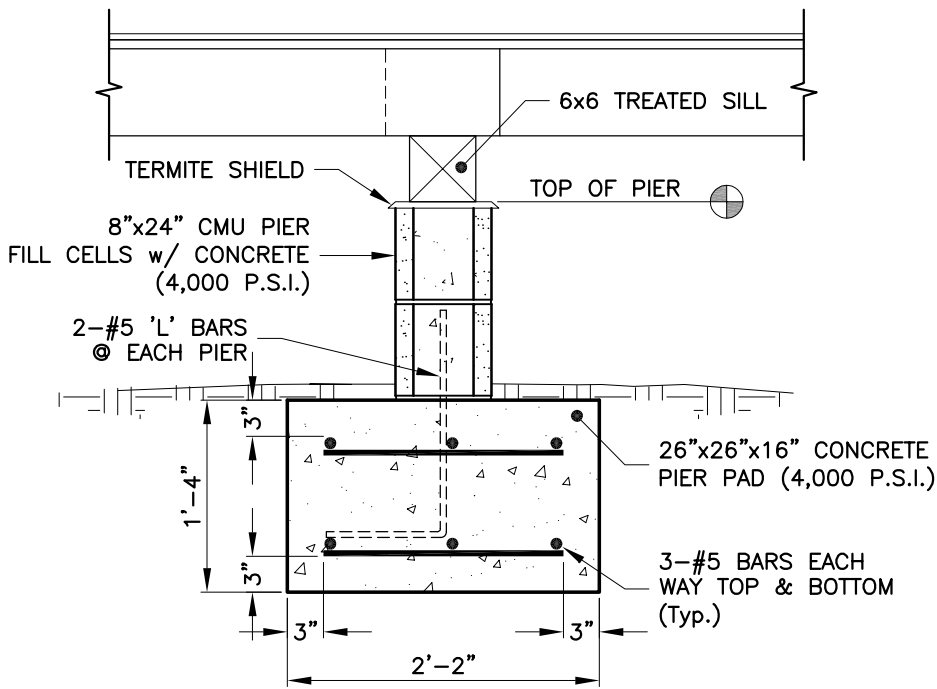
CONTEMPORARY
ENGINEERING SERVICES, INC.

PLANNING ❖ DESIGN ❖ CONSTRUCTION ADMINISTRATION
 KENNER, LA. ***** (504) 468-6175

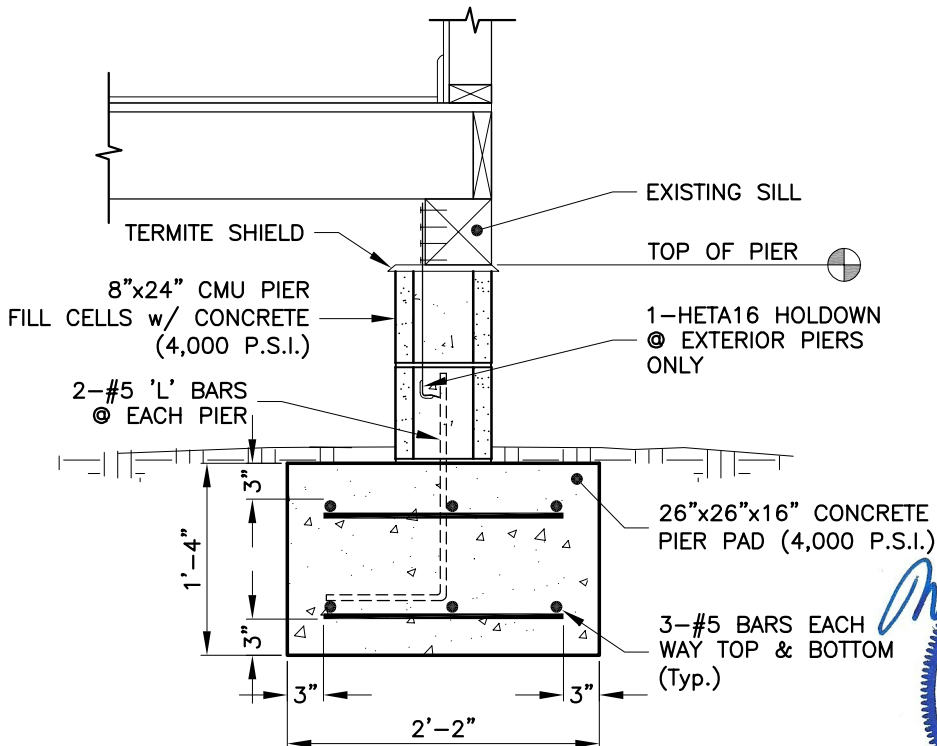
Path:
 Res\Shoring\Ace

Scale:
 1" = 10'

Date:
 8 June 2022



2 **INTERIOR PIER**
SCALE: $\frac{3}{4}" = 1'-0"$ **PROPOSED**



1 **EXTERIOR PIER**
SCALE: $\frac{3}{4}" = 1'-0"$ **PROPOSED**



PIER DETAILS Ace House Leveling, LLC 1830 Feliciana St. New Orleans, LA 70117		
Path: Res\Shoring\Ace	Scale: $\frac{3}{4}" = 1'-0"$	Date: 8 June 2022

CONTEMPORARY
ENGINEERING SERVICES, INC.

PLANNING ❖ DESIGN ❖ CONSTRUCTION ADMINISTRATION
KENNER, LA. ***** (504) 468-6175