

HANGERS

- ALL DUCT HANGERS IN DIRECT CONTACT WITH GALVANIZED DUCT SHALL BE GALVANIZED STEEL.
- DUCT HANGERS MAY BE DIRECTLY ATTACHED TO DUCTS. DUCTS SHALL BE HUNG BY ANGLES OR STRAPS AS DETAILED ON DRAWINGS. RODS, STRAPS OR ANGLES MAY BE USED IN TRAPEZE HANGERS.
- WHERE TRAPEZE HANGERS ARE USED, THE BOTTOM OF THE DUCT SHALL BE SUPPORTED TO ANGLE SIZED AS FOLLOWS (FOR ROUND DUCTS, THE ANGLE SHALL CONFORM TO THE BOTTOM 120 DEGREES OF THE DUCT):

DIAMETER OF DUCT	WIDTH OF DUCT	BOTTOM ANGLE SIZES
0'-3/4"	0'-3/0"	1" X 1" 1/8"
- ALL HANGERS SHALL BE SUFFICIENTLY CROSS-BRACED TO ELIMINATE, IN THE OPINION OF THE ARCHITECT, EXCESSIVE SWAY. WHEREVER DUCTWORK CONTAINS FILTER SECTIONS, COILS, FANS OR OTHER HEAVY EQUIPMENT (EXCLUDING REGISTERS, GRILLES, DIFFUSERS, SPITTER DAMPERS, ETC.) SUCH EQUIPMENT SHALL BE HUNG INDEPENDENTLY OF THE DUCTWORK, WITH RODS OR ANGLES OF SIZES ADEQUATE TO SUPPORT THE LOAD.
- DUCT HANGERS DIRECTLY IN CONTACT WITH OR DIRECTLY ATTACHED TO STAINLESS STEEL. DUCTS SHALL BE STAINLESS STEEL.
- IN THE EVENT DUCTWORK INTERFERES WITH SUSPENDED CEILING SUPPORT HANGERS, PROVIDE CROSS MEMBERS FROM HANGERS AFFECTED. THESE CROSS MEMBERS SHALL BE OF REINFORCED STEEL OR FURRING CHANNELS AND SHALL RUN UNDER DUCTWORK IN QUESTION FROM WHICH ADDITIONAL CEILING HANGERS SHALL BE SUPPORTED.

PERMITTED DUCT MATERIAL USAGE

USAGE	MATERIAL
HVAC SUPPLY / RETURN	INSULATED GALV. STEEL OR INSULATED FLEXIBLE DUCT
OUTSIDE AIR	EXTERNALLY INSULATED GALVANIZED STEEL
OFFICE RESTROOM EXHAUST AIR	EXTERNALLY INSULATED, GALVANIZED STEEL
WAREHOUSE RESTROOM EXHAUST AIR	GALVANIZED STEEL, NO INSULATION

POWER VENTILATORS (NOT APPLICABLE)

GENERAL

- WORK INCLUDED
 - CEILING EXHAUST FANS.
- RELATED WORK
 - SECTION 15890 -DUCTWORK.

PRODUCTS

- MANUFACTURERS
 - GREENHECK, COOK, PENN, BROAN, NUTONE OR APPROVED EQUAL
- CEILING EXHAUST FANS
 - CENTRIFUGAL FAN UNIT; V-BELT OR DIRECT DRIVE, WITH GALVANIZED STEEL HOUSING LINED WITH 1/2 INCH ACOUSTIC INSULATION, RESILIENT MOUNTED MOTOR, GRAVITY BACKDRAFT DAMPER IN DISCHARGE.
 - DISCONNECT SWITCH; FACTORY WIRED, NON-FUSIBLE, IN HOUSING FOR THERMAL OVERLOAD PROTECTED MOTOR.
 - GRILLE; MOLDED WHITE PLASTIC OR ALUMINUM WITH BAKED WHITE ENAMEL FINISH.
 - SPEED CONTROLLER; SOLID STATE.

EXECUTION

- INSTALLATION
 - INSTALL IN ACCORDANCE WITH MANUFACTURER'S INSTRUCTIONS.

DIFFUSERS, REGISTERS AND GRILLES

- PROVIDE WHERE SHOWN ON DRAWINGS ALL REGISTERS, GRILLES, DIFFUSERS AND LOUVERS IN ACCORDANCE WITH THE TABULATION IN THE SCHEDULE ON DRAWINGS.
- PROVIDE ACCESSORIES AND MODIFICATIONS AS INDICATED IN SCHEDULE NOTES.
- MANUFACTURER LISTED IN SCHEDULE IS FOR DESIGN SELECTION ONLY. REGISTERS, GRILLES, AND DIFFUSERS AS MANUFACTURED BY PRICE, MCGILL, KRUEGER, TITUS, METALAIRE OR APPROVED EQUAL WILL BE ACCEPTED.

DUCT ACCESSORIES

GENERAL

- WORK INCLUDED:
 - VOLUME CONTROL DAMPERS
 - BACKDRAFT DAMPERS
 - AIR TURNING DEVICES
 - FLEXIBLE DUCT CONNECTIONS

PRODUCTS

- VOLUME CONTROL DAMPERS
 - FABRICATE IN ACCORDANCE WITH SMACNA LOW PRESSURE DUCT CONSTRUCTION STANDARDS, AND AS INDICATED. AIR BALANCE, BARBER-COLMAN, CARNES, NATIONAL CONTROLLED AIR, RUSKIN, CESCO OR APPROVED EQUAL.
 - FABRICATE SINGLE BLADE DAMPERS FOR DUCT SIZES TO 12 INCH.
 - FABRICATE MULTI-BLADE DAMPER OF OPPOSED BLADE PATTERN WITH MAXIMUM BLADE SIZES 12 X 72 INCH. ASSEMBLE CENTER AND EDGE CRIMPED BLADES IN PRIME COATED OR GALVANIZED CHANNEL FRAME WITH SUITABLE HARDWARE.
 - EXCEPT IN ROUND DUCTWORK 12 INCHES AND SMALLER, PROVIDE END BEARINGS. ON MULTIPLE BLADE DAMPERS, PROVIDE OIL-IMPREGNATED NYLON OR SINTERED BRONZE BEARINGS.
 - PROVIDE LOCKING, INDICATING QUADRANT REGULATORS ON SINGLE AND MULTI-BLADE DAMPERS, WHERE ROD LENGTHS EXCEED 30 INCHES PROVIDE REGULATOR AT BOTH ENDS.
- BACKDRAFT DAMPERS:
 - DAMPERS SHALL BE AIR BALANCE, VENT COCK, ANEMOSTAT, RUSKIN, CESCO OR APPROVED EQUAL.
 - GRAVITY BACKDRAFT DAMPERS, SIZE 18X18 INCHES OR SMALLER, FURNISHED WITH AIR MOVING EQUIPMENT, MAY BE AIR MOVING EQUIPMENT MANUFACTURER'S STANDARD CONSTRUCTION.
 - FABRICATE MULTI-BLADE, PARALLEL ACTION GRAVITY BALANCED BACKDRAFT DAMPERS OF 18 GAUGE GALVANIZED STEEL, WITH CENTER PIVOTED BLADES OF MAXIMUM 6 INCH WIDTH, WITH FELT OR FLEXIBLE VINYL SEALED EDGES, LINKED TOGETHER IN RATTLE-FREE MANNER WITH 90 DEGREE STOP, STEEL BALL BEARINGS, AND PLATED STEEL PIVOT PIN; ADJUSTMENT DEVICE TO PERMIT SETTING FOR VARYING DIFFERENTIAL STATIC PRESSURE.
- AIR TURNING DEVICES:
 - AIR TURNING VANES SHALL BE BARBER-COLMAN, TUTTLE AND BAILEY, ANEMOSTAT, METALAIRE OR APPROVED EQUAL.
 - MULTI-BLADE DEVICE WITH BLADES ALIGNED IN SHORT DIMENSION; STEEL OR ALUMINUM CONSTRUCTION; WITH INDIVIDUALLY ADJUSTABLE BLADES, MOUNTING STRAPS. PROVIDE IN ALL SQUARE TURNS.
- FLEXIBLE DUCT CONNECTIONS:
 - SHALL BE VENT FABRIC 6" VENT/GLAS, ANEMOSTAT, BARBER-COLMAN OR APPROVED EQUAL.
 - FABRICATE IN ACCORDANCE WITH SMACNA HVAC DUCT CONSTRUCTION STANDARDS 1ST EDITION, 1985.
 - UL LISTED FIRE-RETARDANT NEOPRENE COATED WOVEN GLASS FIBER FABRIC TO NFPA 90A, MINIMUM DENSITY 20 OZ PER SQUARE YARD, APPROXIMATELY 8 INCHES WIDE, CRIMPED INTO METAL EDGING STRIP.

INSTALLATION

- INSTALL ACCESSORIES IN ACCORDANCE WITH MANUFACTURER'S INSTRUCTIONS.
- PROVIDE BALANCING DAMPERS AT POINTS ON LOW PRESSURE SUPPLY, RETURN, AND EXHAUST SYSTEMS WHERE BRANCHES ARE TAKEN FROM LARGER DUCTS AS REQUIRED FOR AIR BALANCING.
- PROVIDE BACKDRAFT DAMPERS ON EXHAUST FANS OR EXHAUST DUCTS NEAREST TO OUTSIDE AND WHERE INDICATED.
- PROVIDE FLEXIBLE CONNECTIONS IMMEDIATELY ADJACENT TO EQUIPMENT IN DUCTS ASSOCIATED WITH FANS AND MOTORIZED EQUIPMENT, NOT REQUIRED WITH FIBROUS GLASS DUCTS.

GENERAL PROVISIONS FOR PLUMBING

PC SHALL COORDINATE WITH THE GC TO PATCH AND REPAIR ALL WALLS, FLOORS, CEILINGS OR OTHER SURFACES IDENTIFIED TO REMAIN THAT MAY BECOME DAMAGED DURING THE COURSE OF WORK.

EXPOSED/SURFACE MOUNTED PIPING IS ONLY ALLOWED UNDER COUNTERTOPS, WHERE IT DOES NOT OBSTRUCT CABINETS / DEVICES, AND WHERE APPROVED BY THE TENANT. IF ROUTED THROUGH CABINETS, IT SHALL BE ROUTED TO MAXIMIZE STORAGE SPACE AND BE PROTECTED FROM DAMAGE.

DRAWINGS ARE DIAGRAMMATIC AND INDICATE GENERAL INTENT OR ARRANGEMENT OF SYSTEM(S). PROVIDE ALL COMPONENTS NEEDED WHETHER INDICATED OR NOT TO PROVIDE A COMPLETE AND OPERATING SYSTEM. OVERALL CASEWORK COMPONENT DIMENSIONING ON PLUMBING DETAILS ARE SHOWN FOR REFERENCE AND COORDINATION ONLY.

PC TO VERIFY ALL DIMENSIONS, INCLUDING CLEARANCES REQUIRED BY OTHER TRADES, AND NOTIFY GC AND TENANT OF ALL DISCREPANCIES PRIOR TO PROCEEDING WITH THE WORK. ALL DIMENSIONS ARE TO THE FACE OF THE FINISHED SURFACE UNO. ALL DIMENSIONS TO BE TAKEN FROM FROM ACTUAL BUILDING DIMENSIONS.

THE PC SHALL COORDINATE PLUMBING WORK WITH OTHER TRADES, THE ARCHITECTURAL DRAWINGS SHALL TAKE PRECEDENCE OVER ALL OTHER DRAWINGS.

ALL PIPING AND/OR PLUMBING DEVICES SHALL BE SUPPORTED FROM STRUCTURE (NOT FROM HVAC DUCTS OR OTHER PIPES/CONDUITS).

GC SHALL MAINTAIN RECORD DRAWING PRINTS ON SITE AND RECORD, AT TIME OF OCCURRENCE, ALTERATIONS FROM CONTRACT DOCUMENTS DUE TO FIELD COORDINATION, ADDENDA, OR BULLETINS.

PC SHALL INSTALL AND CONSTRUCT THE PLUMBING SYSTEM TO PREVENT THE INFILTRATION OF RODENTS AND OTHER PESTS INTO THE SPACE. METER BOXES SHALL BE CONSTRUCTED TO PREVENT RODENTS AND OTHER PESTS FROM ENTERING THE SPACE VIA WATER PIPES CONNECTED TO THE METER BOX. THE ANNULAR SPACE AROUND PIPES PENETRATING WALL, FLOORS, OR CEILINGS SHALL BE FILLED WITH A CAULKING MATERIAL OR GASKET TO PREVENT THE PASSAGE OF RODENTS OR OTHER PESTS, COMPATIBLE WITH MATERIALS, LOCATIONS, AND FIRE RATINGS.

GENERAL NOTES

SCOPE

THE INTENT OF THE SPECIFICATIONS AND THE DRAWINGS IS TO PROVIDE A COMPLETE AND FULLY OPERATIONAL PLUMBING SYSTEM. THE PC SHALL FURNISH ALL LABOR, MATERIAL, AND EQUIPMENT RELATED TO THE INSTALLATION OF THE PLUMBING WORK.

STANDARDS

EQUIPMENT AND MATERIALS SHALL CONFORM WITH THE APPROPRIATE PROVISIONS OF CSA., ULC, ASSE, ASME, ASTM, UL, NEMA, ANSI, ASHRAE, NFPA, AS APPLICABLE TO EACH INDIVIDUAL UNIT OR ASSEMBLY.

CODES

ALL WORK SHALL BE PERFORMED IN STRICT ACCORDANCE WITH ALL APPLICABLE PROVINCIAL AND LOCAL CODES AND ORDINANCES. IN CASE OF CONFLICT BETWEEN THE DRAWINGS AND SPECIFICATIONS AND THE CODES AND ORDINANCES, THE HIGHEST STANDARD SHALL APPLY. PC SHALL SATISFY CODE REQUIREMENTS AS A MINIMUM STANDARD WITHOUT ANY EXTRA COST TO S-W.

PERMITS AND FEES

THE CONTRACTOR SHALL PROCURE AND PAY FOR ALL PERMITS, FEES, AND INSPECTIONS NECESSARY TO COMPLETE THE PLUMBING WORK.

WARRANTY

THE PC AND GC SHALL UNCONDITIONALLY WARRANT ALL WORK TO BE FREE OF DEFECTS IN MATERIAL AND WORKMANSHIP FOR A PERIOD OF ONE (1) YEAR FROM THE DATE OF FINAL ACCEPTANCE BY S-W REPRESENTATIVE AND WILL REPAIR OR REPLACE ANY DEFECTIVE WORK PROMPTLY AND WITHOUT CHARGE AND RESTORE ANY OTHER EXISTING WORK DAMAGED IN THE COURSE OF REPAIRING DEFECTIVE MATERIALS AND WORKMANSHIP.

PLUMBING FIXTURES

CROSS CONNECTION

PROVIDE CROSS CONNECTION CONTROL FOR ALL FIXTURES AS REQUIRED BY THE AHJ. INDIRECT WASTE PIPING SHALL HAVE AN AIR GAP TWICE THE DIAMETER OF THE INDIRECT PIPE OR THE MINIMUM ALLOWABLE DISTANCE SPECIFIED BY THE AHJ, WHICHEVER IS GREATER.

WATER HEATER (IF APPLICABLE)

SIZE WATER HEATER PER AHJ. PROVIDE A GLASS-LINED, ENERGY EFFICIENT, ELECTRIC TANK WATER HEATER PROVIDE INSTALLATION COMPLETE WITH FITTINGS AS SHOWN IN THE DRAWINGS. SET HOT WATER TEMPERATURE AT 120°F OR AS REQUIRED BY AHJ.

CONNECTIONS

THE PC SHALL MAKE ALL FINAL CONNECTIONS TO EQUIPMENT INCLUDING REQUIRED MATERIAL SUCH AS PIPING, VALVES, FILTERS, TRAPS, CHECKS VALVES, VACUUM BREAKERS, AND FLEXIBLE AND RIGID TUBING.

SCHEDULES

REFER TO SCHEDULES ON DRAWINGS (PLUMBING & ARCHITECTURE) FOR A DESCRIPTION OF LISTED ITEMS AND FURNISH ANY AND ALL PLUMBING FIXTURES LISTED AS "GC". ANY DISCREPANCIES ABOUT WHO IS TO PROVIDE PLUMBING FIXTURES IN THE SCHEDULE SHALL BE BROUGHT TO TENANT'S ATTENTION FOR CLARIFICATION. INSTALL ALL FIXTURES LISTED REGARDLESS OF SUPPLYING PARTY.

LANDLORD REQUIREMENTS (IF APPLICABLE)

PROVIDE DOMESTIC WATER SERVICE TO THE TENANT SPACE. IF BUILDING HAS MULTIPLE TENANTS, THEN LANDLORD SHALL PROVIDE A SEPARATE WATER METER FOR SHERWIN-WILLIAMS EXCLUSIVE USE. THE WATER SERVICE SHALL BE SIZED FOR PER TENANT REQUIREMENTS. COORDINATE FINAL LOCATION WITH TENANT PRIOR TO INSTALLATION.

PROVIDE MINIMUM 4" SANITARY SERVICE TO TENANT SPACE. SANITARY MAIN SHALL BE SIZED PER TENANTS REQUIREMENTS. COORDINATE FINAL LOCATION WITH TENANT PRIOR TO INSTALLATION.

PROVIDE 4" VENT THRU ROOF AND COORDINATE LOCATION WITH TENANT. MAINTAIN MINIMUM CLEARANCES FROM FRESH AIR INTAKES, EDGE OF ROOF, ROOF STRUCTURES, AND OTHER EQUIPMENT AS REQUIRED BY AHJ.

PIPING GENERAL

SOIL, WASTE, AND VENT PIPING

SOIL, WASTE, AND VENT PIPING 10" AND SMALLER SHALL BE SERVICE WEIGHT, HUBLESS, CAST IRON PIPE, AND FITTINGS WITH NEOPRENE GASKET AND STAINLESS STEEL SHIELD AND CLAMP. PROVIDE HUB AND SPIGOT, SERVICE WEIGHT CAST IRON SOIL PIPE AND FITTINGS BELOW GRADE WHERE REQUIRED BY AHJ. SCHEDULE 40 ABS OR PVC SOLID CORE PIPE AND FITTINGS WITH SOLVENT WELD MAY BE SUBSTITUTED FOR SOIL, WASTE, AND VENT PIPING ABOVE GRADE (NOT WITHIN PLENUM) AND BELOW GRADE, IF ALLOWED BY AHJ. ADHESIVES SHALL NOT EXCEED A 90% CONTENT OF 510 GIL FOR PVC AND 325 GIL FOR ABS. ALL HORIZONTAL RUNS SHALL DRAIN AT A GRADE OF 1/4"/ FT WHERE POSSIBLE BUT IN NO CASE LESS THAN 1/8"/ FT WHERE ALLOWED BY AHJ & SIZED PER AHJ.

COORDINATE WITH AHJ FOR DRAINAGE REQUIREMENTS FOR EQUIPMENT DESIGNATED WITH INDIRECT WASTE TO FLOOR SINKS. PROVIDE PIPED DRAIN (P-TRAP AND VENT) TO SANITARY IF REQUIRED BY AHJ.

DOMESTIC WATER PIPING

DOMESTIC WATER PIPING 2-1/2" AND SMALLER SHALL BE COPPER TUBE WITH WROUGHT COPPER SWEAT FITTINGS JOINED WITH NON-LEAD, NON-ANTIMONY SOLDER. PROVIDE TYPE "K" COPPER TUBE ASTM B88 ABOVE GRADE AND TYPE K COPPER TUBE ASTM B88 BELOW GRADE. CPVC SCHEDULE 80 NSF SB8459 (INCLUDING NSF 14 AND NSF 61). ASTM D1784 IS APPROVED FOR BELOW GRADE USAGE.

CONDENSATE DRAINAGE PIPING

PC SHALL PROVIDE CONDENSATE DRAINS FOR AIR HANDLING UNITS. CONDENSATE DRAINAGE PIPING SHALL BE SOLID WALL PVC ASTM D3033 SCHEDULE 40 WITH COAT OF UV RESISTANT PAINT.

HANGERS AND SUPPORTS

PC SHALL PROVIDE ALL PIPE SUPPORTS REQUIRED FOR EQUIPMENT AND MATERIAL. ALL HORIZONTAL RUNS OF PIPING SHALL BE SUPPORTED BY PIPE HANGERS INSTALLED AS REQUIRED BY AHJ. ADDITIONAL SUPPORTS SHALL BE PROVIDED WHERE REQUIRED TO PREVENT SAGGING, HANGERS AND PIPE ATTACHMENTS TO BE FACTORY FABRICATED WITH GALVANIZED COATINGS; NON-METALLIC COATED FOR HANGERS IN DIRECT CONTACT WITH COPPER TUBING.

CONNECTIONS

INSTALL UNIONS ADJACENT TO EACH VALVE AND AT FINAL CONNECTION TO EACH PIECE OF EQUIPMENT. INSTALL DIELECTRIC COUPLINGS TO CONNECT PIPING MATERIALS OF DISSIMILAR METALS. USE NON-LEAD, NON-ANTIMONY ASTM B813 SOLDER FOR SOLDERING DOMESTIC WATER COPPER PIPE.

CLEANOUTS

PROVIDE FLOOR AND WALL CLEANOUTS AS INDICATED ON THE DRAWINGS OR WHERE REQUIRED BY AHJ IN ALL SOIL, WASTE, AND DRAIN LINES. AREAS WITH CERAMIC TILE OR POLISHED CONCRETE, PROVIDE CLEANOUTS WITH SQUARE, ADJUSTABLE, NICKEL BRONZE TOP. IN AREAS WITH RESILIENT (VINYL) FLOORING, PROVIDE CLEANOUTS WITH SQUARE, ADJUSTABLE, NICKEL BRONZE TOP WITH TILE RECESS. CLEANOUTS SHALL BE SAME SIZE AS PIPE, NOT TO EXCEED 4". WHERE CLEANOUTS OCCUR IN WALLS OF FINISHED AREAS, THEY SHALL BE CONCEALED BEHIND CHROME PLATED ACCESS COVERS.

INSTALLATION

INSTALL PIPING FREE OF SAGS AND BENDS. PROVIDE BRACKET STANDOFFS FROM MOUNTING SURFACES SUFFICIENT TO ALLOW 1" CLEARANCE AROUND PIPING, INCLUDING ANY ADDED PIPING INSULATION. INSTALL FITTINGS FOR CHANGES IN DIRECTION AND BRANCH CONNECTIONS. INSTALL SLEEVES FOR PIPES PASSING THROUGH CONCRETE AND MASONRY WALLS, GYPSUM BOARD PARTITIONS, CONCRETE FLOOR AND ROOF SLABS. SEAL PIPE PENETRATIONS THROUGH RATED CONSTRUCTION WITH FIRE STOPPING SEALANT MATERIAL PER AHJ. UNDERGROUND WATER AND SEWER LINES SHALL BE LAID IN SEPARATE TRENCHES WITH MINIMUM HORIZONTAL SPACING AS REQUIRED BY AHJ, EXCAVATED TO THE PROPER DEPTH AND GRADED TO PRODUCE THE REQUIRED FALL. INSTALL PIPING IN A MANNER TO CONFORM TO THE STRUCTURE, AVOID OBSTRUCTIONS, AND PRESERVE HEADROOM.

TESTING

ALL PIPES SHALL BE TESTED BY AN APPROVED METHOD BEFORE THEY ARE BACKFILLED OR CONCEALED. AFTER TESTING IS COMPLETE, THE PLUMBING CONTRACTOR SHALL DISINFECT THE POTABLE WATER SYSTEM AS REQUIRED BY AHJ.

IDENTIFICATION

PROVIDE PIPE IDENTIFICATION EVERY 10 FEET (EXCEPT WHERE PIPES ARE EXPOSED TO PUBLIC) IN ACCORDANCE WITH AHJ.

INSULATION

WATER PIPING

PROVIDE THERMAL INSULATION ON ALL HOT WATER, COLD WATER, AND HORIZONTAL WASTE PIPING IN CEILING SPACES, AND ON ALL COLD WATER PIPING IN CASEWORK. USE SELF SEALING CLOSED CELL FOAM OR JACKETED FIBERGLASS INSULATION WITH MANUFACTURERS APPROVED ADHESIVES, SEALERS, AND COATING. ALL MATERIALS USED SHALL NOT EXCEED 25 FOR FLAME SPREAD INDEX, UNLESS OTHERWISE REQUIRED BY THE LOCAL AUTHORITY FOR ENERGY CODES. THE MINIMUM INSULATION SHALL BE AS FOLLOWS:

PIPE SIZE (DIAMETER)	INSULATION THICKNESS
LESS THAN OR EQUAL TO 1 1/2" 2" OR GREATER	1" 1-1/2"

(INSULATION VALUE "K" VALUE NOT EXCEEDING 0.027 BT \ J PER INCH*FOF)

SAFETY COVERS

INSTALL SPECIFIED NO SCALD SAFETY COVERS WITH INSULATED FOAM LINER AND TAMPER PROOF STRAP AT ALL EXPOSED PIPING.

HVAC PIPING

INSULATE REFRIGERANT SUCTION PIPING AND COOLING COIL. CONDENSATE PIPING WITH 1 3/4" THICK SELF SEALING CLOSED CELL FOAM. INSULATE HVAC HOT AND CHILLED WATER PIPING SYSTEMS AND LOW PRESSURE STEAM AND CONDENSATE PIPING WITH 1-1/2" THICK HEAVY DUTY SELF SEALING JACKETED FIBERGLASS. INSTALL THICKER INSULATION WHERE REQUIRED BY CODE.

RAIN CONDUCTORS

INSULATE RAIN WATER CONDUCTORS THAT PASS THROUGH OCCUPIED AREAS WITH 1-1/2" THICK FIBERGLASS.

UNDERSLAB PIPING

INSULATE DOMESTIC WATER PIPING WITH MINIMUM 1-1/2" ELASTOMERIC INSULATION. ELASTOMERIC INSULATION SHALL CONTINUE AND EXTEND A MINIMUM OF 2" ABOVE FINISHED FLOOR.

VALVES

GENERAL

PLUMBING CONTRACTOR SHALL PROVIDE VALVES WHERE INDICATED ON PLANS AND AS NECESSARY FOR PROPER SYSTEM OPERATION AND COMPONENT ISOLATION. INSTALL VALVES FOR EACH FIXTURE AND ITEM OF EQUIPMENT. PROVIDE BRAIDED STAINLESS STEEL HOSE (UNLESS NOTED OTHERWISE) BETWEEN VALVE AND EQUIPMENT IN ACCORDANCE WITH MANUFACTURER SPECIFICATIONS. LOCATE SHUT-OFF VALVES ADJACENT TO EQUIPMENT FOR EASY ACCESS SUCH THAT CAN BE REACHED WITHOUT MOVING EQUIPMENT. SHUT-OFF VALVES SHALL BE BALL TYPE. VALVES SHALL BE LISTED/APPROVED FOR USE PER AHJ AND CODE REQUIREMENTS.

VALVES

PROVIDE VALVES FOR WORKING PRESSURE IN WATER PIPING OF 125 PSI OR GREATER ALL VALVES SHALL BE CERTIFIED LEAD FREE. UNO. VALVES SHALL MEET THE FOLLOWING MINIMUM REQUIREMENTS:

VALVE TYPE	DESCRIPTION
CHECK VALVE (UP TO 2" (51MM))	BRONZE, HORIZ. SWING, Y-PATTERN, RENEWABLE SEAT/DISC
BALL VALVE (UP TO 3" (76MM))	BRASS, FULL PORT, QUARTER TURN
GATE VALVE (UP TO 3" (76MM))	BRONZE, NON-RISING STEM, SOLID WEDGE
TEMP. AND PRESS. RELIEF VALVE	RATED FOR POTABLE WATER HEATING STORAGE VESSEL WITH SAFETY CERTIFICATION PER AHJ.
WATER HAMMER ARRESTOR	PRE-CHARGED, SEALED CHAMBER
BACKFLOW PREVENTER (WHOLE -HOUSE)	DOUBLE CHECK VALVE ASSEMBLY WITH UNION BALL VALVES AND SAFETY CERTIFICATION PER AHJ
BACKFLOW PREVENTER (SINGLE DEVICE)	DOUBLE CHECK VALVE ASSEMBLY WITH SAFETY CERTIFICATION PER AHJ
VACUUM RELIEF VALVE	BRASS BODY AND STAINLESS STEEL INTERNALS
PRESSURE REDUCING VALVE	BRONZE, 45 TO 75 PSI REDUCE PRESSURE RANGE AND UPSTREAM/DOWNSTREAM PRESSURE GAUGES
TRAP SEAL PRIMER	BRONZE, PRESSURE BASED AUTOMATIC PRIMING

SUPPLY WATER SERVICE

IF WATER PRESSURE SUPPLIED IS GREATER THAN 80 PSI, PROVIDE A PRESSURE REGULATOR IN MAIN SUPPLY TO REDUCE WATER PRESSURE. PROVIDE BACKFLOW PREVENTION ON WATER SERVICE IF REQUIRED BY AHJ.

THERMOSTATIC MIXING VALVE

PROVIDE A SINGLE THERMOSTATIC MIXING VALVE LOCATED AT WATER HEATER AND SET FOR 100°F (OR AS REQUIRED BY AHJ) TO SERVE HAND SINKS. MIXING VALVE TO BE INSTALLED PER MANUFACTURER REQUIREMENTS WITH CHECK VALVES AT SUPPLY LINES.

FIRE PROTECTION SYSTEM

NOT IN SCOPE OF WORK. HOWEVER, OWNER TO COORDINATE WITH SPRINKLER CONTRACTOR WITH REGARD TO SPRINKLER HEAD MODIFICATIONS.

ABBREVIATIONS

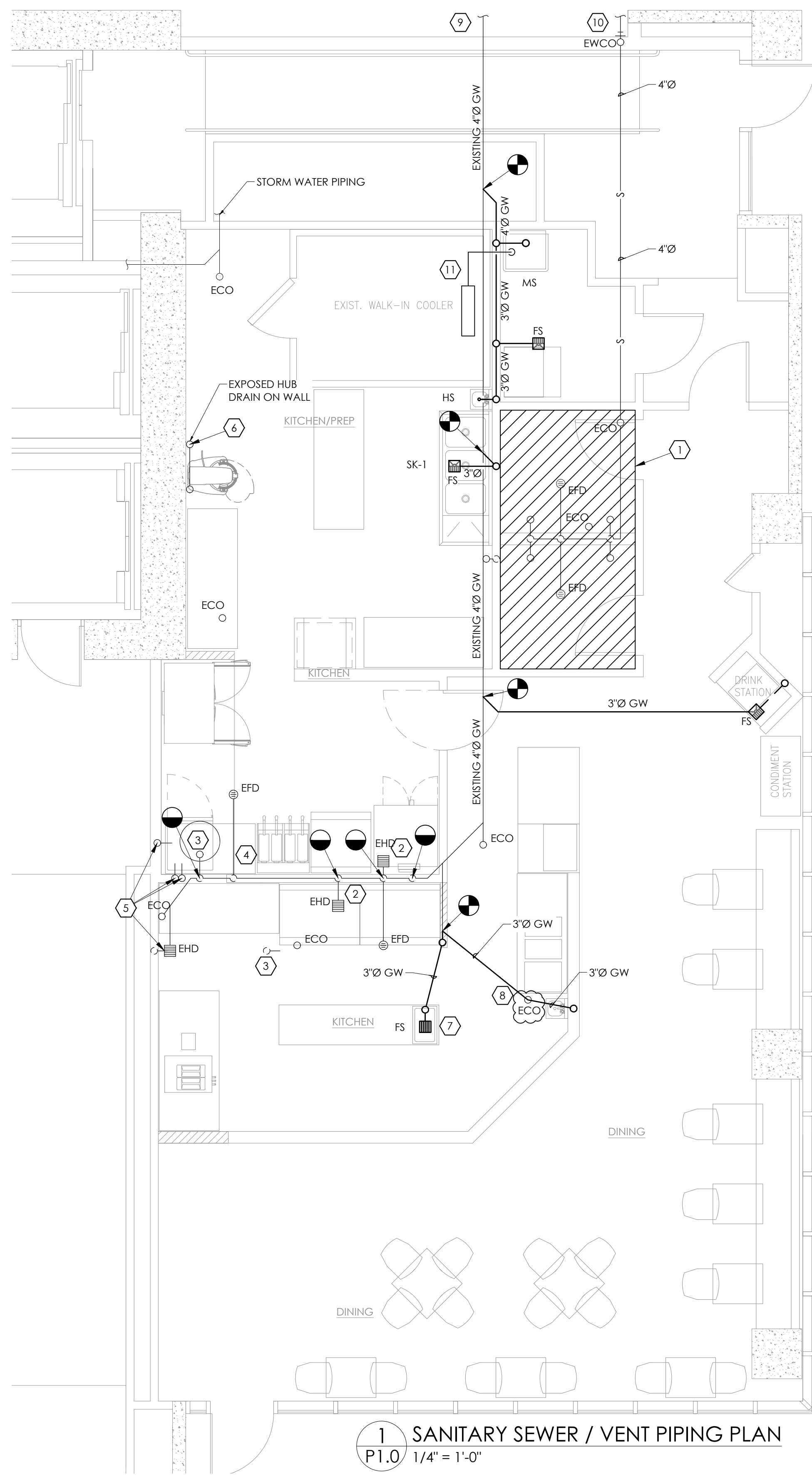
AFF	ABOVEFINISHED FLOOR
AHJ	AUTHORITIES HAVING JURISDICTION
ANSI	AMERICAN NATIONAL STANDARDS INSTITUTE
APPROX	APPROXIMATE
ASHRAE	AMERICAN SOCIETY OF HEATING, REFRIGERATION, AND AIR CONDITIONING ENGINEERS
ASME	AMERICAN SOCIETY FOR MECHANICAL ENGINEERING
ASSE	AMERICAN SOCIETY OF SANITARY ENGINEERING
ASTM	AMERICAN SOCIETY FOR TSMATERIALS
BFP	BACKFLOW PREVENTER
BLDG	BUILDING
co	CONDENSATE DRAIN
CLG	CEILING
CFH	CUBIC FEET PER HOUR
CONST	CONSTRUCTION
CCTG	CLEANOUT ON TOP OF GRADE
CW	DOMESTIC COLDWATER
DEG	DEGREES
DFU	DRAINAGE FIXTURE UNIT(S)
DTL	DETAIL
DN	DOWN
DWG(S)	DRAWING(S)
EA	EACH
EC	ELECTRICAL CONTRACTOR
ELEC	ELECTRICAL
EM	EMERGENCY
EPA	ENVIRONMENTAL PROTECTION AGENCY
(E)OR (EX)	EXISTING EXTERIOR
EXT	FLOOR DRAIN
FD	FLOOR SINK
FS	FURNISH & INSTAU.
F&I	FLOOR
FLR	FOOT/FEET
FT	FLOOR/CLEANOUT
FCC	GENERAL CONTRACTOR
GC	GROUNDFAULT CIRCUIT INTERRUPTER
GFCI	HOSE BIBB
HB	HOUR
H&B	HEATING, VENTILATION, AND AIR CONDITIONING
HVAC	HOT WATER
HW	HANDSINK
HS	HOT WATER SUPPLY
HWS	HOT WATER RETURN
HWIR	INDIRECT WASTE
ID	INCH(ES)
IN	LAVATORY
LAV	LANDLORD
U,	PROPANE
LP	LOW VOLTAGE
LV	MAXIMUM
MAX	MECHANICAL CONTRACTOR
MC	MAIN DISTRIBUTION PANEL
MDP	MECHANICAL
MECH	MECHANICAL, ELECTRICAL, AND PLUMBING MANUFACTURER
MEP	MINIMUM
MFG	MOP SINK
MIN	NATIONAL ELECTRICAL MANUFACTURERS
MS	NATIONAL FIRE PROTECTION ASSOCIATION
NEMA	NATURAL GAS
NFPA	NATIONAL SANITATION FOUNDATION
NATURAL GAS	NOT TO SCALE
NSF	PLUMBING CONTRACTOR
NTS	POINT OF CONNECTION
PC	FURNISH & INSTALL
POC	PROJECT MANAGER
PROVIDE	RELOCATED
PM	REFERENCE
(R)	REQUIRED
REQ(D)	REVISION
REV	RELIEF VALVE
S-W	SHERWIN-WILLIAMS
SAN	SANITARY WASTE
SF	SQUARE FEET
SST	STAINLESS STEEL
STM	STORM SEWER
TEL	TELEPHONE
TEMP	TEMPORARY
TYP	TYPICAL
TMV	TEMPERATURE MIXING VALVE
TW	TEMPERED HOT WATER
UL	UNDERWRITERS LABORATORY
UNO	UNLESS NOTED OTHERWISE
us	UTILITY SINK
V	VENT
W	WASTE
WCO	WALL CLEANOUT
WH	WATER HEATER
WHA	WATER HAMMER ARRESTOR
WM	WATER METER
WP	WEATHER PROOF
WSFU	WATER SUPPLY FIXTURE UNIT



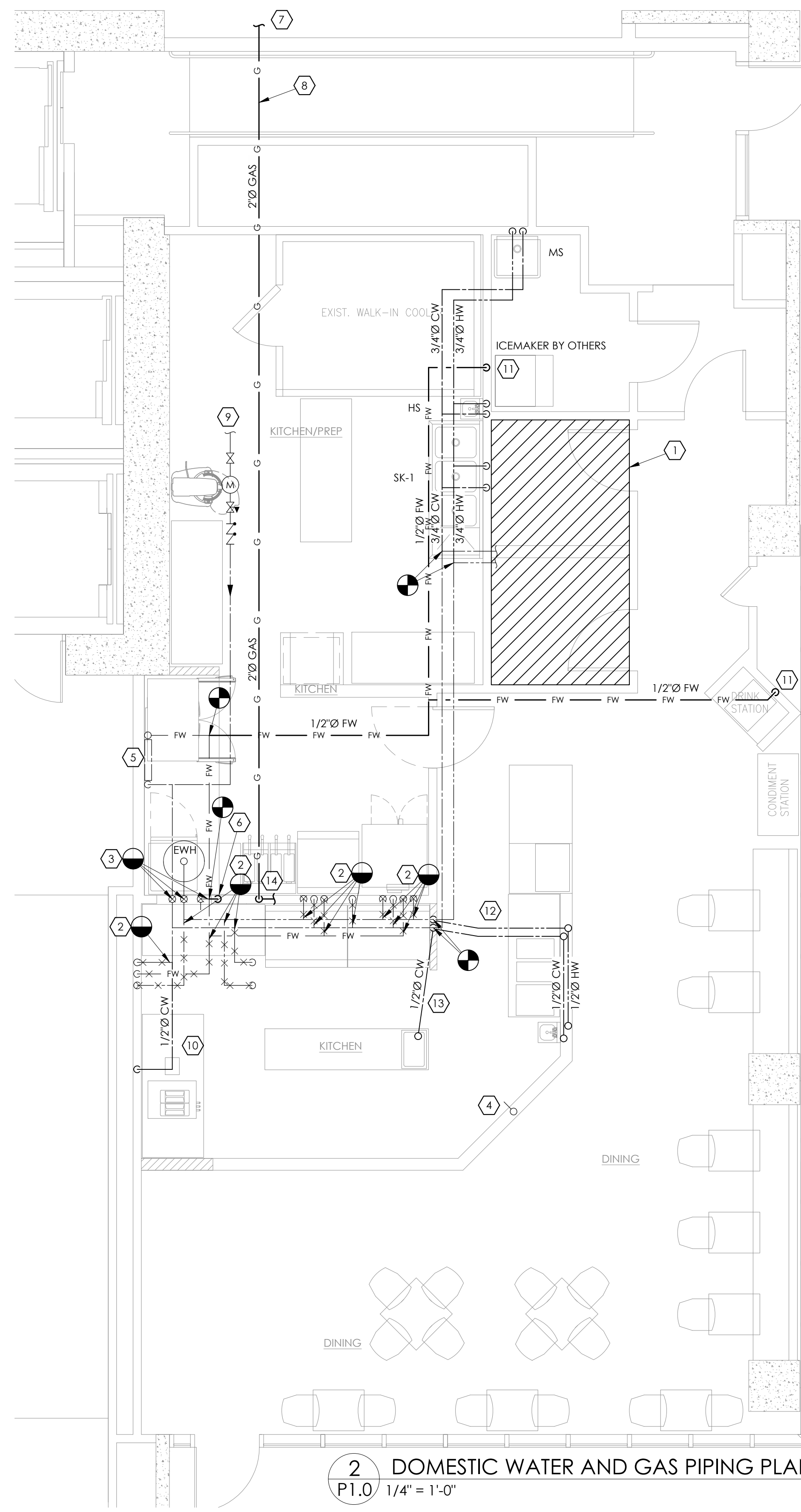
RESTAURANT RENOVATION			
SCALE: AS SHOWN		FILE NAME: 21044\Plan03.B	
DATE: --		MECHANICAL SPECIFICATIONS	
	STEVEN J. FINEGAN ARCHITECTS, LTD. A PROFESSIONAL CORPORATION 123 S. Pierce St. – New Orleans, LA 70119 (504)486-5744 www.steviefineganarchitect.com E-mail: steviefinegan@nocoxmail.com		
NO.	DATE	REVISIONS	

This drawing is the property of STEVEN J. FINEGAN ARCHITECTS, LTD. It is not to be reproduced, copied or altered in whole or in part. It is not to be used for any purpose without the approval of STEVEN J. FINEGAN ARCHITECTS LTD. and is to be returned on request.

MP2.0



1 SANITARY SEWER / VENT PIPING PLAN
P1.0 1/4" = 1'-0"



2 DOMESTIC WATER AND GAS PIPING PLAN
P1.0 1/4" = 1'-0"

PLUMBING LEGEND

---	NEW CW PIPING	—○—	C.O.	NEW FLOOR CLEANOUT
- - -	EXISTING CW PIPING	— —	W.C.O.	NEW WALL CLEANOUT
---	NEW HW PIPING	—●—	FD	NEW FLOOR DRAIN
- - -	EXISTING HW PIPING	—■—	FS	NEW FLOOR SINK
---	NEW GREASE WASTE PIPING	—○—	EFD	EXISTING FLOOR DRAIN
- - -	EXISTING GREASE WASTE PIPING	—○—	ECO	EXISTING FLOOR CLEANOUT
---	NEW VENT PIPING	—○—	EWC	EWC
- - -	EXISTING VENT PIPING	—○—	EHD	EXISTING HUB DRAIN
---	NEW WASTE PIPING	—○—	VTR	VENT THROUGH ROOF
- - -	EXISTING WASTE PIPING	—○—	—●—	CONNECTION POINT
---	NEW GAS PIPING	—○—	—●—	DISCONNECTION POINT
- - -	EXISTING GAS PIPING	—○—	—○—	TRAP PRIMER CONNECTION
---	NEW FILTERED WATER PIPING	—○—	—○—	UTILITY METER
- - -	EXISTING FILTERED WATER PIPING	—○—	—○—	EXISTING BACKFLOW PREVENTER
---	PIPE DROP	—○—	—○—	EXISTING PIPING TO BE REMOVED (CW SHOWN HW, FW SIMILAR)
---	PIPE RISE	—○—		
---	TEE DOWN	—○—		

GENERAL PLUMBING NOTES:

- ALL WORK SHALL BE DONE IN ACCORDANCE WITH ALL GOVERNING CODES AND IN ACCORDANCE WITH BEST PRACTICES. ALL PRODUCTS SHALL BE INSTALLED AS DIRECTED BY THE MANUFACTURER AS DIRECTED IN THEIR WRITTEN INSTRUCTIONS.
- ALL PRODUCTS USED SHALL COMPLY WITH THE APPLICABLE SECTIONS OF THE INTERNATIONAL PLUMBING CODE, 2015 EDITION.
- PLUMBING CONTRACTOR (P.C.) SHALL BE RESPONSIBLE FOR SETTING FLOOR AND WALL SLEEVES IN THEIR PROPER LOCATIONS AND FOR INFORMING OTHER TRADES OF THE LOCATION AND SIZE OF CHASES, STACKS, CLEANOUTS, ETC.; THAT WILL RELATE TO THEIR WORK; AND IS RESPONSIBLE FOR PROVIDING ACCESS TO ALL ITEMS REQUIRING ROUTINE MAINTENANCE.
- PLUMBING CONTRACTOR SHALL INSTALL TEST PLUGS, WOOD PLUGS OR CAPS IN ALL OPEN PIPES AT TIME OF INSTALLATION AND NOT REMOVE UNTIL PIPE IS CONNECTED.
- PLUMBING VENT RISERS ARE SCHEMATIC IN NATURE. CONTRACTOR SHALL BE ALLOWED AND IS ENCOURAGED TO MANIFOLD PLUMBING VENTS IN ATTIC IN ORDER TO MINIMIZE ROOF PENETRATIONS. VENT MANIFOLDS SHALL COMPLY WITH ALL REQUIREMENTS OF THE INTERNATIONAL PLUMBING CODE, 2015 EDITION.
- SEE FIXTURE SCHEDULE ON SHEET P2.0 FOR FIXTURE SPECIFICATIONS.
- EXISTING SANITARY WASTE, GREASE WASTE AND DOMESTIC WATER SHOWN ON PLANS ARE BASED ON PREVIOUS SPACE DESIGN DRAWINGS. P.C. TO REVIEW LOCATIONS OF ALL PIPING AND PLUMBING FIXTURES SHOWN ON PLANS AND VERIFY PRIOR TO DEMOLITION / INSTALLATION OF PLUMBING SYSTEMS.
- P.C. TO IDENTIFY NEAREST 3" PLUMBING VENT TO CONNECT ALL VENTS TO WITHIN OR NEAR THIS SYSTEM BUILDING SPACE.
- P.C. TO COORDINATE WITH GENERAL CONTRACTOR REGARDING THE DEMOLITION OF BUILDING FOUNDATION. SPECIAL PRECAUTIONS WILL NEED TO BE MADE DUE TO POTENTIAL POST-TENSION SLAB INTERFERENCE.

SPECIFIC SANITARY WASTE / VENT PLUMBING NOTES:

- EXISTING PLUMBING FIXTURES AND PIPING TO REMAIN.
- REMOVE EXISTING HUB DRAIN, GREASE WASTE AND VENT PIPING BACK TO RESPECTIVE MAINS AND CAP.
- REMOVE EXISTING GREASE WASTE AND VENT PIPING BACK TO RESPECTIVE MAINS AND CAP.
- RELOCATE EXISTING VENT PIPING FROM WALL TO BE DEMOLISHED TO NEAREST WALL. EXISTING FLOOR DRAIN TO REMAIN.
- REROUTE EXISTING CONDENSATE / SAFETY DRAIN PIPING TO EXISTING HUB DRAIN TO REMAIN. HUB DRAIN TO REMAIN IN SERVICE.
- PROVIDE VENT PIPING TO EXISTING CONDENSATE DRAIN. TIE INTO NEAREST EXISTING 2" VENT PIPING.
- PROVIDE NEW HUB DRAIN WITH NOSWB COMPLIANT ISLAND VENT PER DETAIL ON SHEET P2.0. PLUMBING CONTRACTOR TO COORDINATE WITH OWNER REGARDING THE MODEL NUMBER OF EQUIPMENT ORDERED AND THE NECESSITY OF THE DRAIN.
- REPLACE 2" W WITH 3" W TO HAND SINK REQUIRED PER NOSWB FOR ISLAND SINK VENTING.
- EXISTING 4" GW PIPING TO EXISTING 1500 GALLON GREASE TRAP SERVING 1ST FLOOR RESTAURANTS.
- EXISTING 4" SANITARY SEWER.
- PLUMBING CONTRACTOR TO FIELD ROUTE CONDENSATE PIPING FROM WALK-IN FREEZER TO MOP SINK IN STORAGE ROOM.
- ALL EXISTING FLOOR DRAINS, EXISTING HUB DRAINS AND EXISTING CLEANOUTS TO REMAIN IN SERVICE UNLESS OTHERWISE NOTED.

SPECIFIC DOMESTIC WATER AND GAS PLUMBING NOTES:

- EXISTING PLUMBING FIXTURES AND PIPING TO REMAIN.
- REMOVE EXISTING WATER PIPING TO POINT OF DISCONNECT SHOWN AND CAP.
- REMOVE EXISTING WATER PIPING DOWN IN WALL FROM DOWNSTREAM OF BRANCH SERVING WATER HEATER AND CAP.
- EXISTING CW STUB-OUT TO REMAIN.
- PLUMBING CONTRACTOR (P.C.) TO COORDINATE WITH ARCHITECT / OWNER REGARDING USE OF EXISTING WATER FILTER. EVALUATE OPERABILITY AND FIELD ROUTE 1/2" FILTERED WATER LINES TO ICE MAKER, DRINK STATION, AND CVAP OVEN. CONFIRM FILTERED WATER USE TO EACH APPLIANCE SHOWN WITH ARCHITECT / OWNER.
- NEW 1/2" CW WITH BACKFLOW PREVENTER DOWN TO CVAP OVEN.
- NEW NATURAL GAS PIPING INSTALLED PER 2015 INTERNATIONAL FUEL GAS CODE. PLUMBING CONTRACTOR TO COORDINATE SOURCE WITH GENERAL CONTRACTOR / LANDLORD AND PROVIDE GAS METER AND / OR PRESSURE REGULATOR AS NECESSARY TO PROVIDE THE APPROPRIATE PRESSURE TO APPLIANCES IN COOKING LINE. SEE NATURAL GAS PIPING RISER DIAGRAM ON SHEET P3.0.
- GAS PIPING SIZING BASED ON 200 FEET MAXIMUM LENGTH OF GAS PIPING FROM SOURCE TO FARTHEST EQUIPMENT USER. SIZING BASED ON INLET PRESSURE OF LESS THAN 2 PSI AND A PRESSURE DROP OF 0.3" W.C.
- EXISTING INCOMING 1-1/4" CW. P.C. TO VERIFY SIZE, LOCATION AND CONFORMANCE TO LOCAL CODE AUTHORITIES.
- NEW 1/2" FW WITH BACKFLOW PREVENTER DOWN TO EQUIPMENT. PLUMBING CONTRACTOR TO COORDINATE WITH OWNER REGARDING THE MODEL NUMBER OF EQUIPMENT ORDERED AND THE NECESSITY OF WATER STUB-OUT.
- P.C. TO CONFIRM WATER FILTER REQUIREMENT TO FIXTURES SHOWN WITH OWNER / ARCHITECT. IF THERE IS NO NEED FOR FILTERED WATER, P.C. TO FIELD ROUTE DOMESTIC WATER TO LOCATION.
- WATER PIPING ROUTED BELOW SLAB TO SERVE HAND WASH SINK IN PARTIAL HEIGHT WALL.
- WATER PIPING ROUTED BELOW SLAB TO STEAM TABLE. PLUMBING CONTRACTOR TO COORDINATE WITH OWNER REGARDING THE MODEL NUMBER OF EQUIPMENT ORDERED AND THE NECESSITY OF THE WATER STUB-OUT.
- GAS PIPING DOWN TO KITCHEN EQUIPMENT. SEE RISER DIAGRAM ON SHEET P3.0.



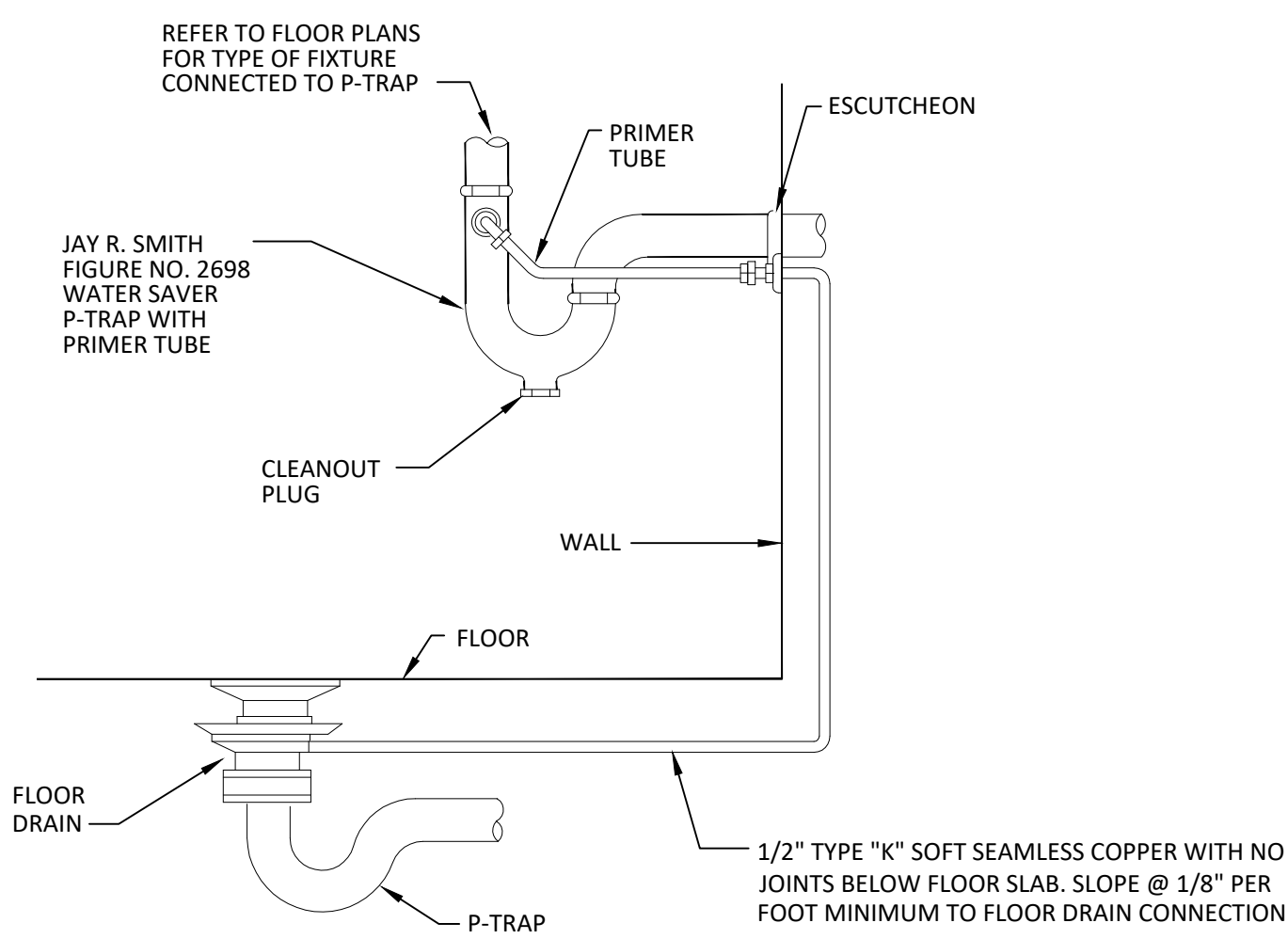
RESTAURANT RENOVATION		
930 Poydras St., New Orleans, LA		
SCALE: AS SHOWN	FILE NAME: 21044\Plan03.B	
DATE: --	SANITARY SEWER PLUMBING PLAN	
STEVEN J. FINEGAN ARCHITECTS, LTD. A PROFESSIONAL CORPORATION 123 S. Pierce St. - New Orleans, LA 70119 (504)486-5744 www.stevfineganarchitect.com E-mail: stevfinegan@nocoxmail.com		
NO.	DATE	REVISIONS
		P1.0
<small>This drawing is the property of STEVEN J. FINEGAN ARCHITECTS, LTD. It is not to be reproduced, copied or altered in whole or in part. It is not to be used for any purpose without the approval of STEVEN J. FINEGAN ARCHITECTS LTD. and is to be returned on request.</small>		

PLUMBING FIXTURE SCHEDULE							
SYMBOL	DESCRIPTION	TYPE	WASTE	VENT	CW	HW	NOTES
HS	HAND SINK, KROWNE MODEL HS-20, ONE-PIECE STAINLESS STEEL WALL-MOUNT, SINGLE BOWL, SOLID BRASS FAUCET ELKAY MODEL LK940AT08L2H.	HAND SINK	2"	1-1/2"	1/2"	1/2"	1, 2
SK-1	SCULLERY SINK, ELKAY MODEL RNSF8354L, 24"X18" BOWLS STAINLESS STEEL FREE-STANDING, TRIPLE SINK, LEFT-SIDE DRAIN BOARD, 8" BACKSPASH, ELKAY FAUCETS LK940AT08L2H	SCULLERY SINK	2"	1-1/2"	3/4"	3/4"	1, 2
MS	MOP SINK, STERN-WILLIAMS MODEL MTB 2424, 10" HIGH, CAST BRASS DRAIN WITH STAINLESS STEEL STRAINER, MARBLE CHIPS/ CEMENT, CHICAGO FAUCET MODEL 897-CP FAUCET WITH VACUUM BREAKER SPOUT, PAIL HOOK, AND WALL BRACKET.	MOP SINK	3"	1-1/2"	3/4"	3/4"	1, 2
FD	ZURN, MODEL NO. Z-415-HD OR EQUAL, TYPE M BRONZE STRAINER, W/ TRAP PRIMER CONNECTION	FLOOR DRAIN	3"	2"	1/2"	-	1, 2
FS	FLOOR SINK, JR SMITH MODEL 3003NB, 12" SQUARE TOP W/ 3/4 NICKLE-BRONZE GRATE, W/ TRAP-PRIMER CONNECTION.	FLOOR SINK	3"	2"	1/2"	-	1, 2
TP	TRAP PRIMER VALVE, PPP INC., MODEL NO. PR-500 PRIME-RITE, INSTALL ON NEARBY LAVATORY OR SINK COLD WATER SUPPLY, INSTALL ON ALL FLOOR DRAINS.	TRAP PRIMER	-	-	1/2"	-	2
HB-1	HOSE-BIBB/WALL HYDRANT, WATTS MODEL HY-420, NON-FREEZE, WITH NICKEL-BRONZE BOX AND DOOR.	HOSE BIBB	-	-	3/4"	-	1, 2
HD-1	ZURN, Z-415, HUB DRAIN, ADJUSTABLE STRAINER EXTENSION, BACKWATER VALVE, AND Z-329 OVAL FUNNEL, DURA COATED CAST IRON BODY, TYPE B POLISHED BRONZE STRAINER, TRAP PRIMER CONNECTION.	HUB DRAIN	3"	2"	-	-	1, 2
TMV	THERMOSTATIC MIXING VALVE, WATTS MODEL LFMMV, MIN. FLOW 0.5 GPM, ASSE 1017, 1069, AND 1070 COMPLIANT, LEAD-FREE.	THERMOSTATIC MIXING VALVE	-	-	1/2"	1/2"	1, 2

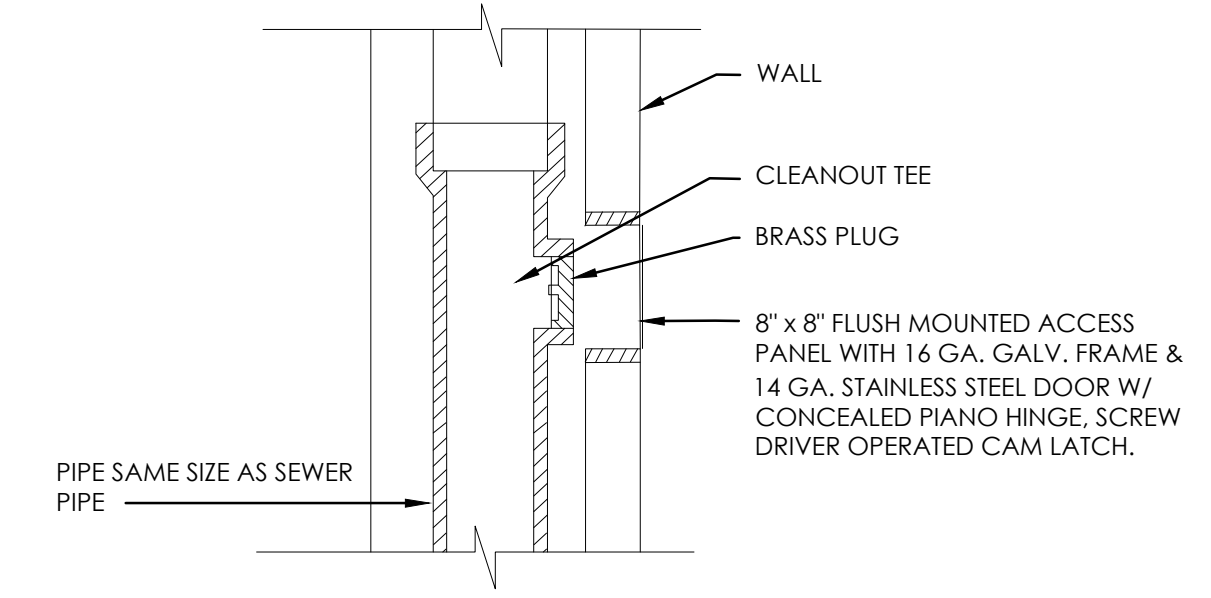
NOTES:
 1. VERIFY FIXTURE SELECTION WITH ARCHITECT/OWNER PRIOR TO PURCHASE.
 2. OR EQUIVALENT.

EXISTING ELECTRIC WATER HEATER SCHEDULE														
TAG	LOCATION	MANUFACTURER	MODEL #	GAL.	PIPE SIZES				ELECTRICAL				WEIGHT (LBS)	NOTES
					INLET	OUTLET	DRAIN	RELIEF	KW	VOLTAGE	PHASE	AMPS		
EW1	MOUNTED ON PLATFORM	A.O. SMITH	DRE-80-100	80	1-1/4"	1-1/4"	1-1/4"	1-1/4"	18	480	1 / 3	37.5 / 21.7	953	1, 2, 3, 4

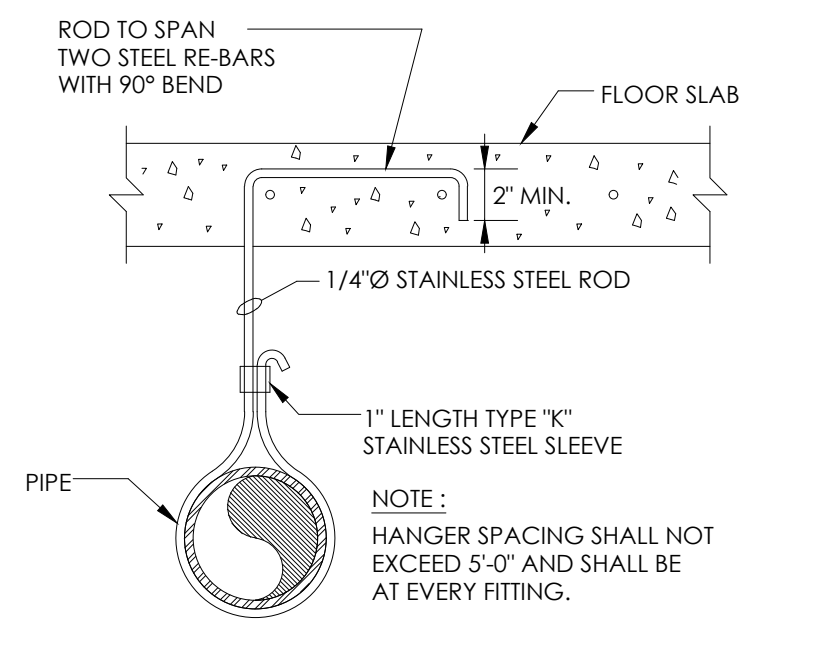
NOTES:
 1. SEE INSTALLATION DETAIL SHEET P400 AND P401.
 2. FURNISH WITH P&T RELIEF VALVE.
 3. PROVIDE EMERGENCY DRAIN PAN, MINIMUM 4" LARGER THAN TANK DIAMETER.
 4. ROTATE TANK SO THAT DRAIN VALVE IS ACCESSIBLE IN CORNER OF PAN.



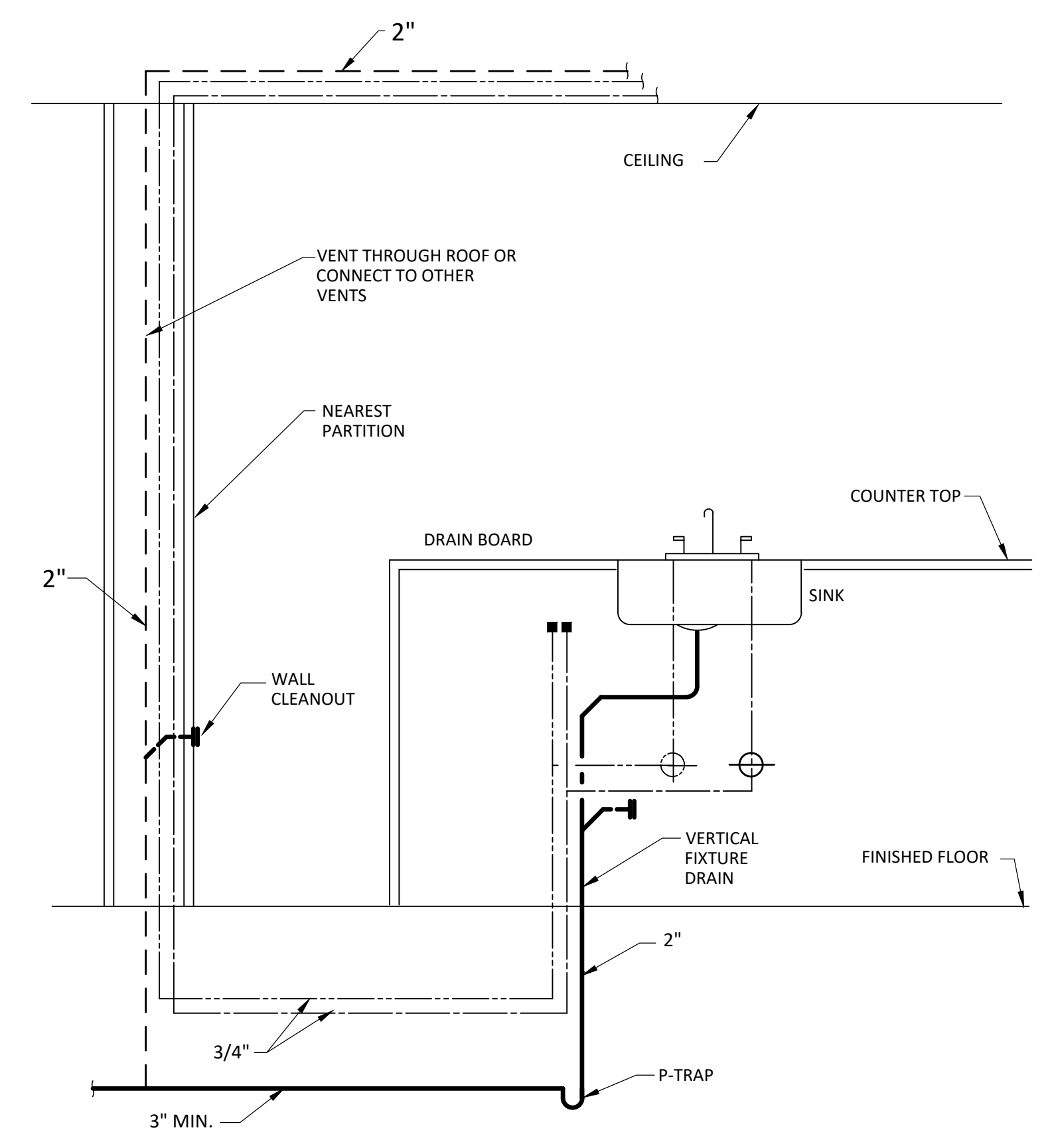
1 TRAP PRIMER DETAIL
P2.0 NTS



2 TYPICAL WALL CLEANOUT DETAIL
P2.0 N.T.S.



3 PIPE HANGER UNDER SLAB
P2.0 NTS



5 NEW ORLEANS ISLAND FIXTURE PIPING DETAIL
P2.0 N.T.S.



RESTAURANT RENOVATION 930 Poydras St., New Orleans, LA	
SCALE: AS SHOWN	FILE NAME: 21044\Plan03.B
DATE: --	PLUMBING SCHEDULES AND DETAILS
STEVEN J. FINEGAN ARCHITECTS, LTD. A PROFESSIONAL CORPORATION 123 S. Pierce St. - New Orleans, LA 70119 (504)486-5744 www.stevfineganarchitect.com E-mail: stevefinegan@nocoxmail.com	
NO.	DATE
REVISIONS	
P2.0	

This drawing is the property of STEVEN J. FINEGAN ARCHITECTS, LTD. It is not to be reproduced, copied or altered in whole or in part. It is not to be used for any purpose without the approval of STEVEN J. FINEGAN ARCHITECTS LTD. and is to be returned on request.

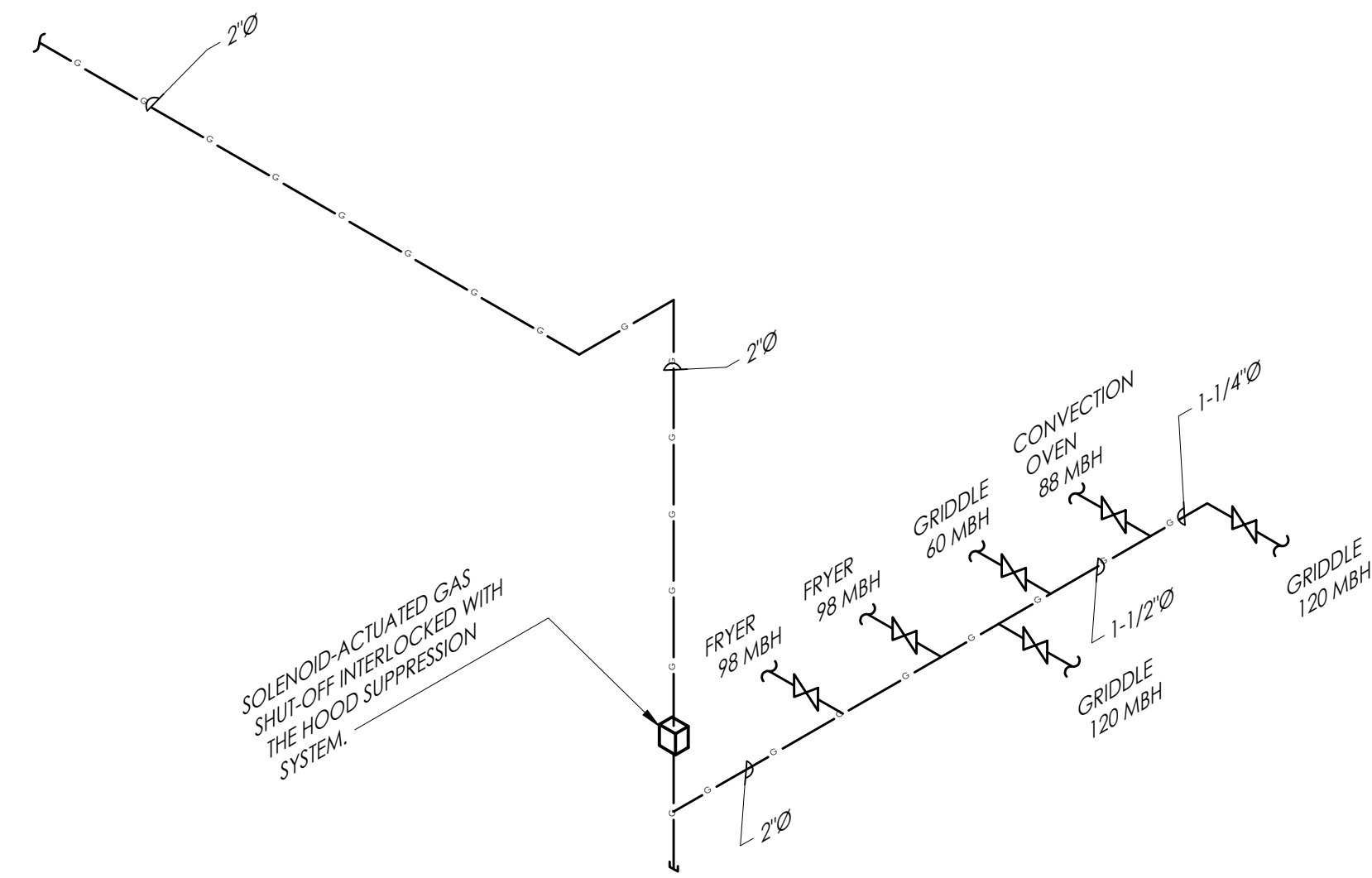
GAS-FIRED EQUIPMENT MAX. DEMAND

①	FRYER	98 MBTUH
②	FRYER	98 MBTUH
③	4' GRIDDLE	120 MBTUH
④	3' GRIDDLE	60 MBTUH
⑤	CONVECTION OVEN	88 MBTUH
⑥	4' GRIDDLE	120 MBTUH

TOTAL 584 MMBTUH @ 200 FEET TOTAL LENGTH

NOTE

ALL GAS PIPING, MATERIALS AND INSTALLATIONS SHALL BE IN STRICT ACCORDANCE WITH THE 2015 INTERNATIONAL FUEL GAS CODE.

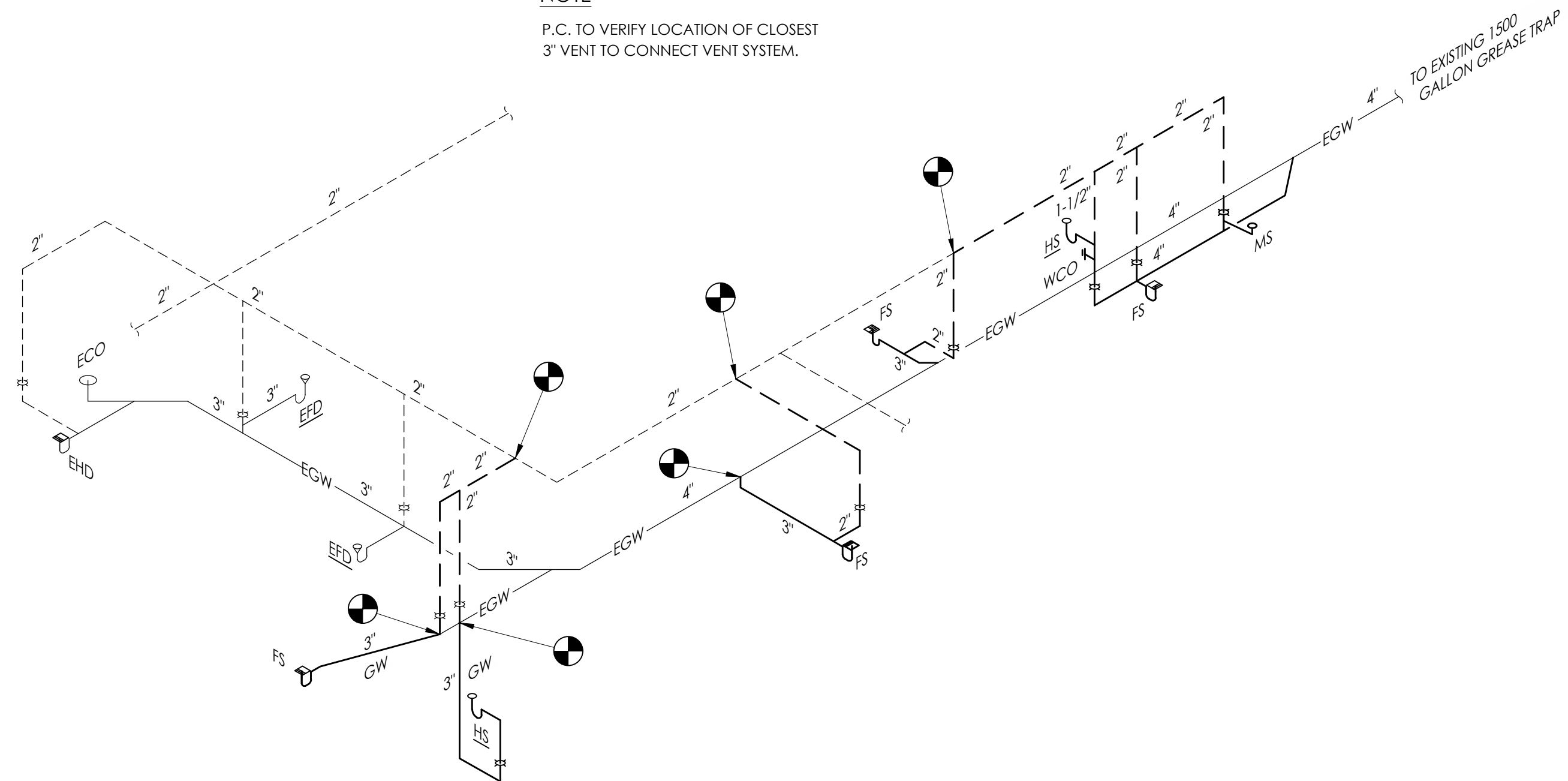


NATURAL GAS RISER DIAGRAM
N.T.S.

APPROVED
maevans , 5/10/2022 ,3:05:46 PM

NOTE

P.C. TO VERIFY LOCATION OF CLOSEST 3" VENT TO CONNECT VENT SYSTEM.



GREASY WASTE AND VENT RISER DIAGRAM
N.T.S.



RESTAURANT RENOVATION 930 Poydras St., New Orleans, LA	
SCALE: AS SHOWN	FILE NAME: 21044\Plan03.B
DATE: --	PLUMBING SPECIFICATIONS & RISER
STEVEN J. FINEGAN ARCHITECTS, LTD. A PROFESSIONAL CORPORATION 123 S. PIERCE ST. - NEW ORLEANS, LA 70119 (504)486-5744 www.stevfineganarchitect.com E-mail: stevefinegan@nocoxmail.com	

NO.	DATE	REVISIONS

P3.0

This drawing is the property of STEVEN J. FINEGAN ARCHITECTS, LTD. It is not to be reproduced, copied or altered in whole or in part. It is not to be used for any purpose without the approval of STEVEN J. FINEGAN ARCHITECTS, LTD. and is to be returned on request.