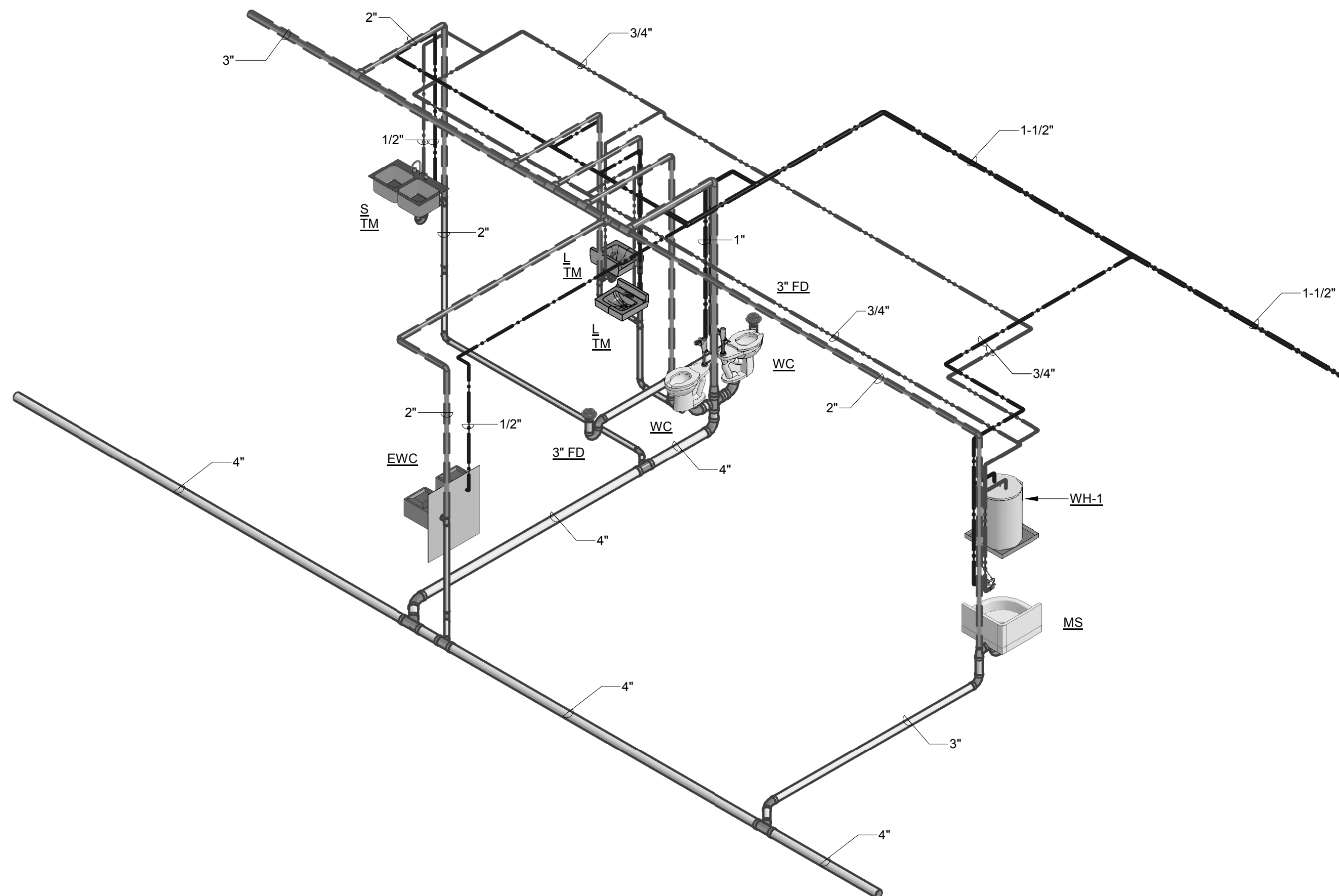


APPROVED

maevans , 6/24/2022 ,8:55:04 AM



1 RISER DIAGRAM

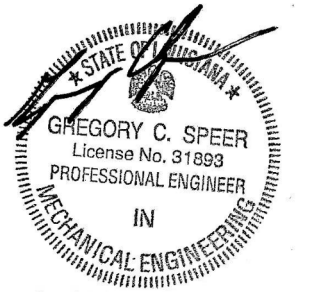
CONSULTANT LOGO

CONTRACTOR SHALL COORDINATE
MEP DRAWINGS WITH ALL OTHER
DISCIPLINES



5020 Tennyson Parkway - Plano, TX 75024
Dallas / Fort Worth 214.432.3030
Houston 832.532.2007

SEALS



VERDAD

SELF STORAGE BUILDING

6600 FRANKLIN AVENUE
NEW ORLEANS, LA 70122

NO.	DATE	DESCRIPTION	BY
1	04/28/22	City Comments	

PRINCIPAL IN CHARGE: _____ Approver
PROJECT ARCHITECT: _____ Checker
DRAWN BY: _____ Author

SHEET TITLE:
**PLUMBING -
DIAGRAMS**

SHEET NO.

P7.01

PROJ. NO.
022008